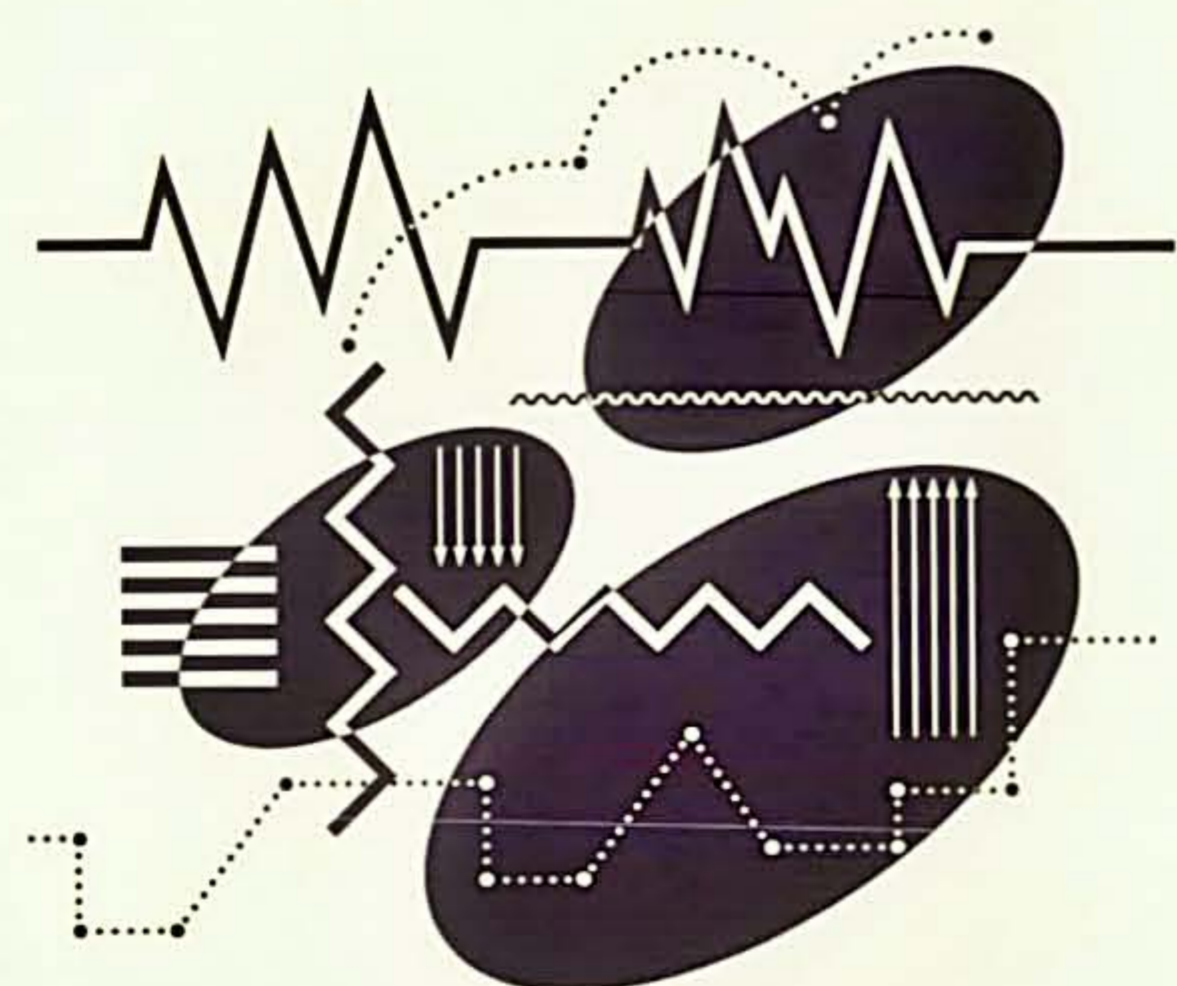


PEARL DRUMS

SPARE PARTS CATALOG

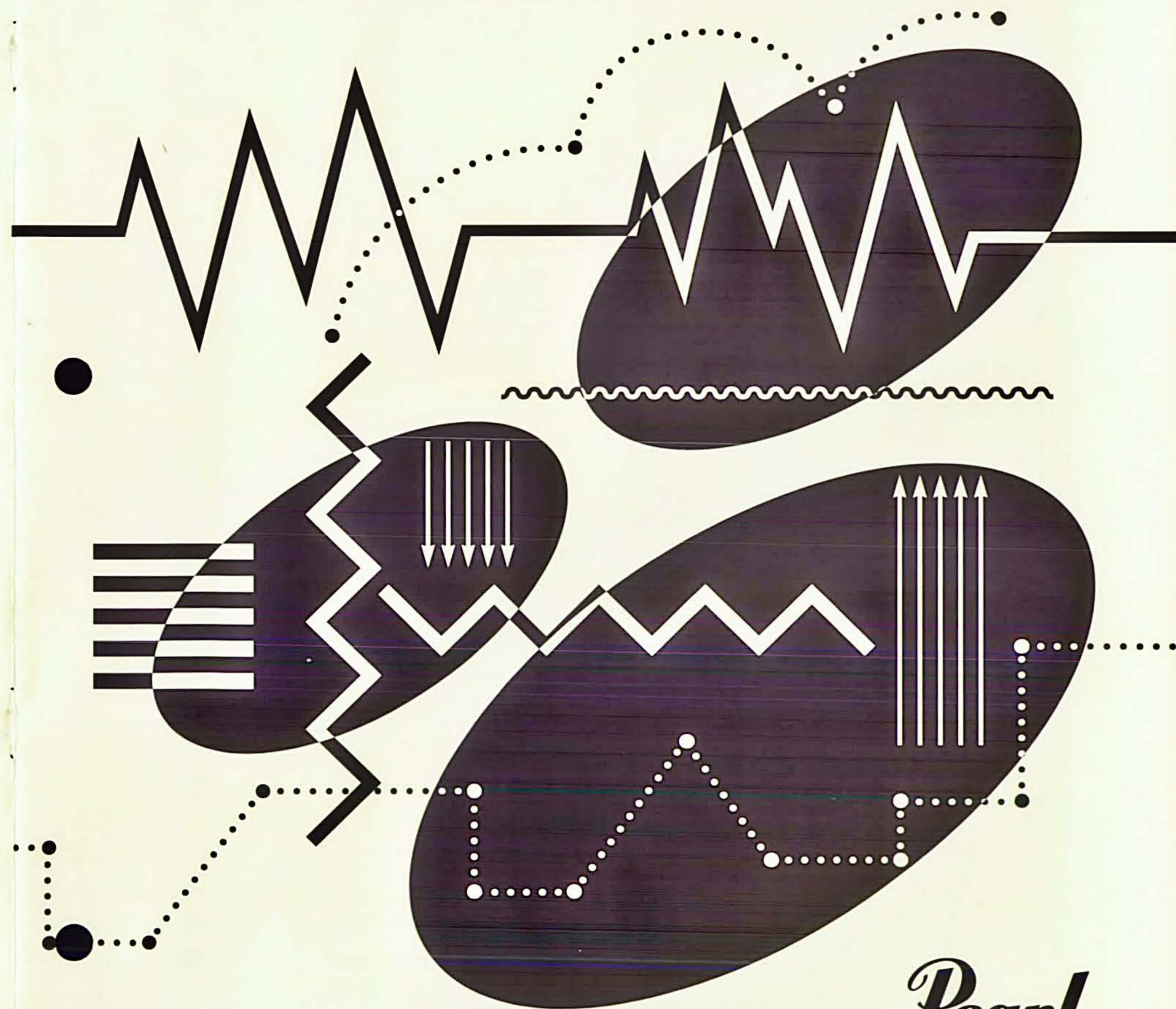


Pearl

Pearl Dealer

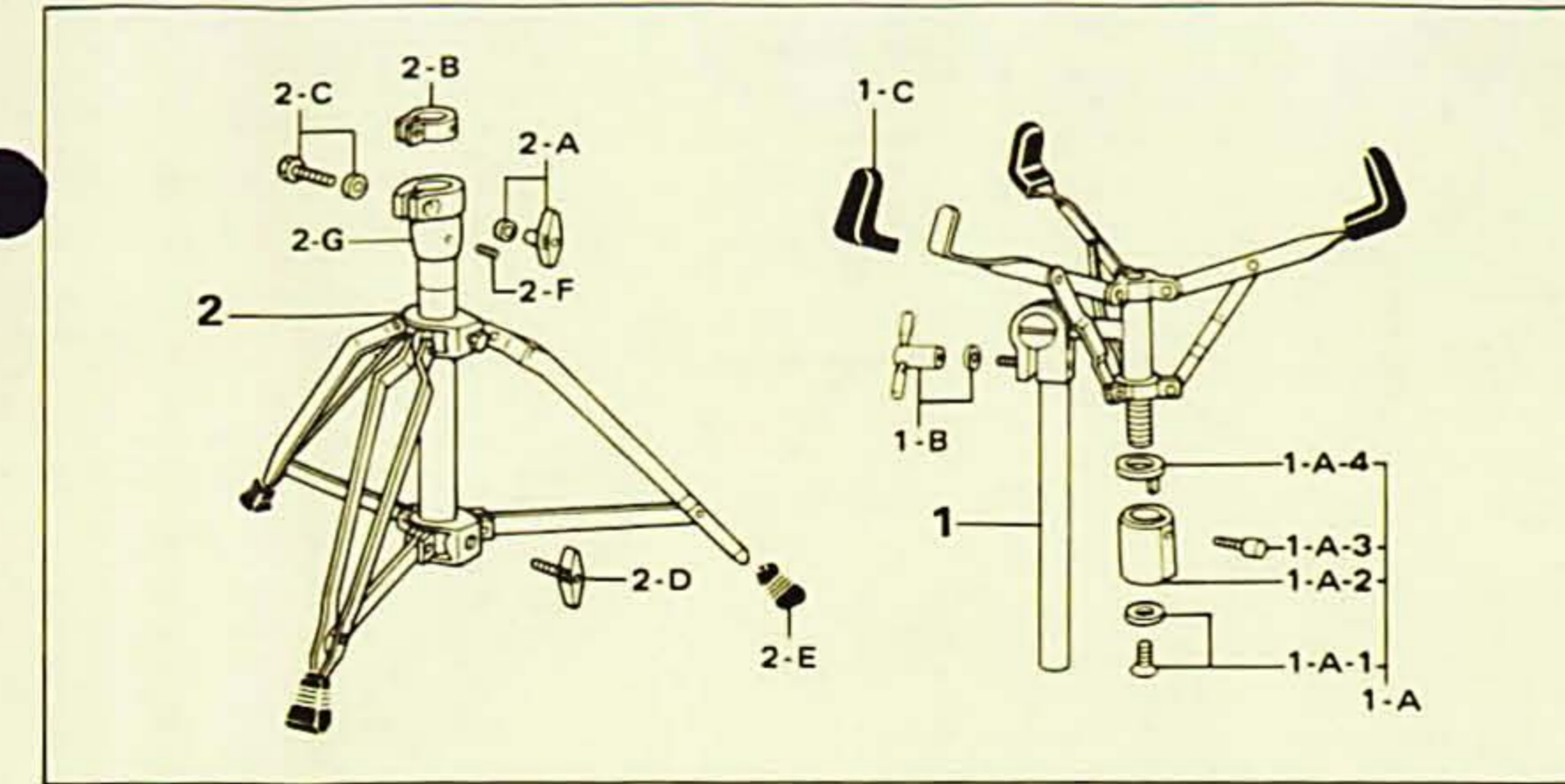
Specifications are subject to change without notice.

Printed in Japan Feb '95



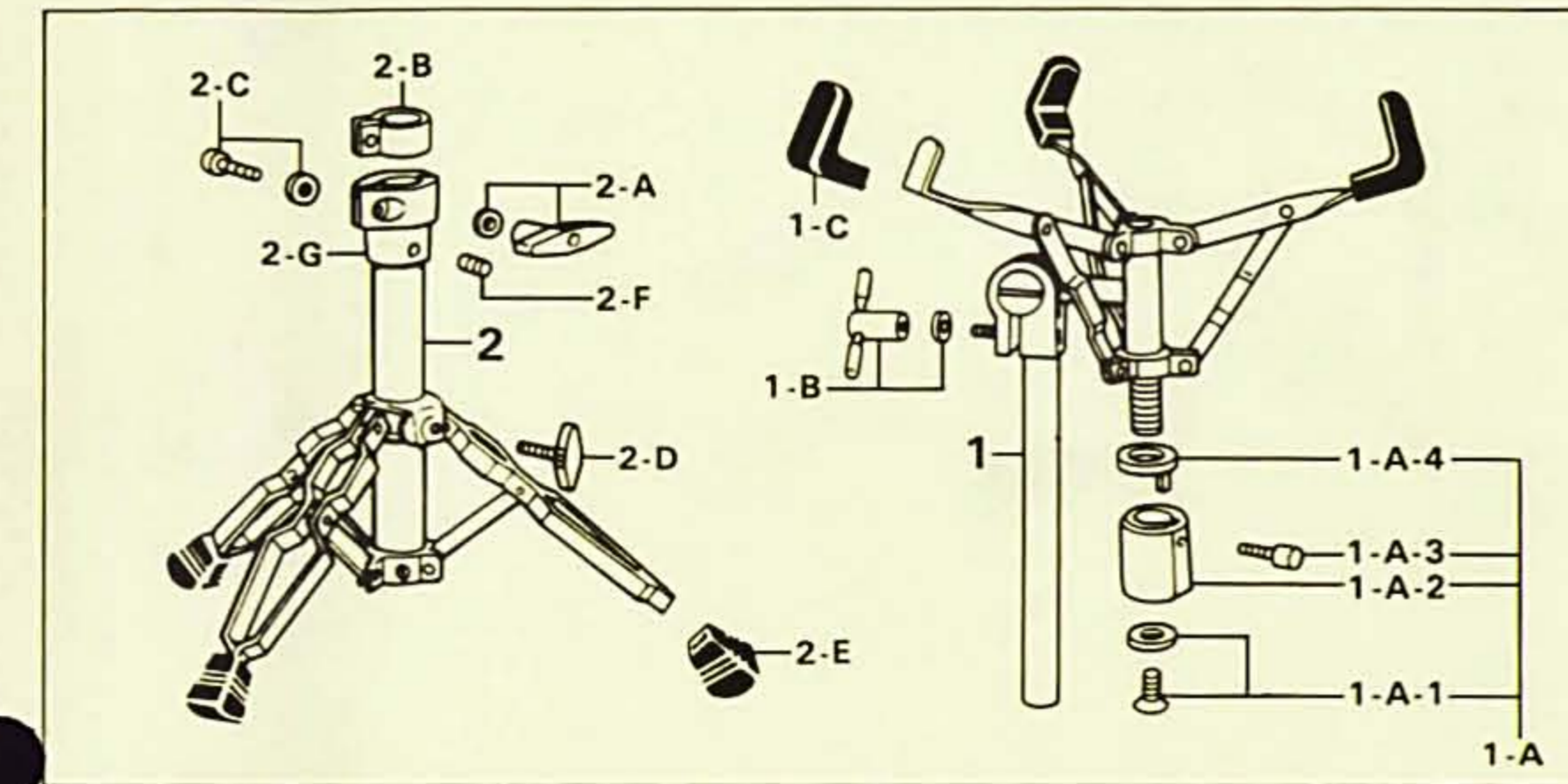
Pearl

INDEX	Page
SNARE DRUM STANDS.....	1
DRUM PEDALS.....	2~7
HI-HAT STANDS.....	8~10
CYMBAL TILTERS.....	10
PRACTICE KIT.....	11
CYMBAL BOOM STANDS.....	12
CYMBAL STANDS.....	13
DRUMMER'S THRONES.....	14
TOM TOM STANDS.....	15
TOM HOLDER ARMS/ARM JOINT/ CYMBAL HOLDERS/ MICROPHONE HOLDERS.....	16~17
ADAPTORS.....	18
CLOSED HAT/HI-HAT ATTACHMENT/ HI-HAT CLUTCHES/COWBELL HOLDER.....	19
DRUM RACK SYSTEMS/PIPE CLAMPS.....	20~21
STOP LOCKS/RUBBER TIPS/DIE-CAST JOINTS.....	22
TENSION RODS/CLAW HOOKS.....	23
LUGS.....	24~25
GASKETS/MOUNTING SCREWS.....	26
BRACKETS.....	27
BASS DRUM SPURS.....	28
FLOOR TOM LEGS BRACKETS & FLOOR TOM LEGS.....	29
HOOPS.....	30
FREE FLOATING SYSTEM SNARE DRUM/ INTEGRATED SUSPENSION SYSTEM.....	31
SNARE STRAINERS.....	32~33



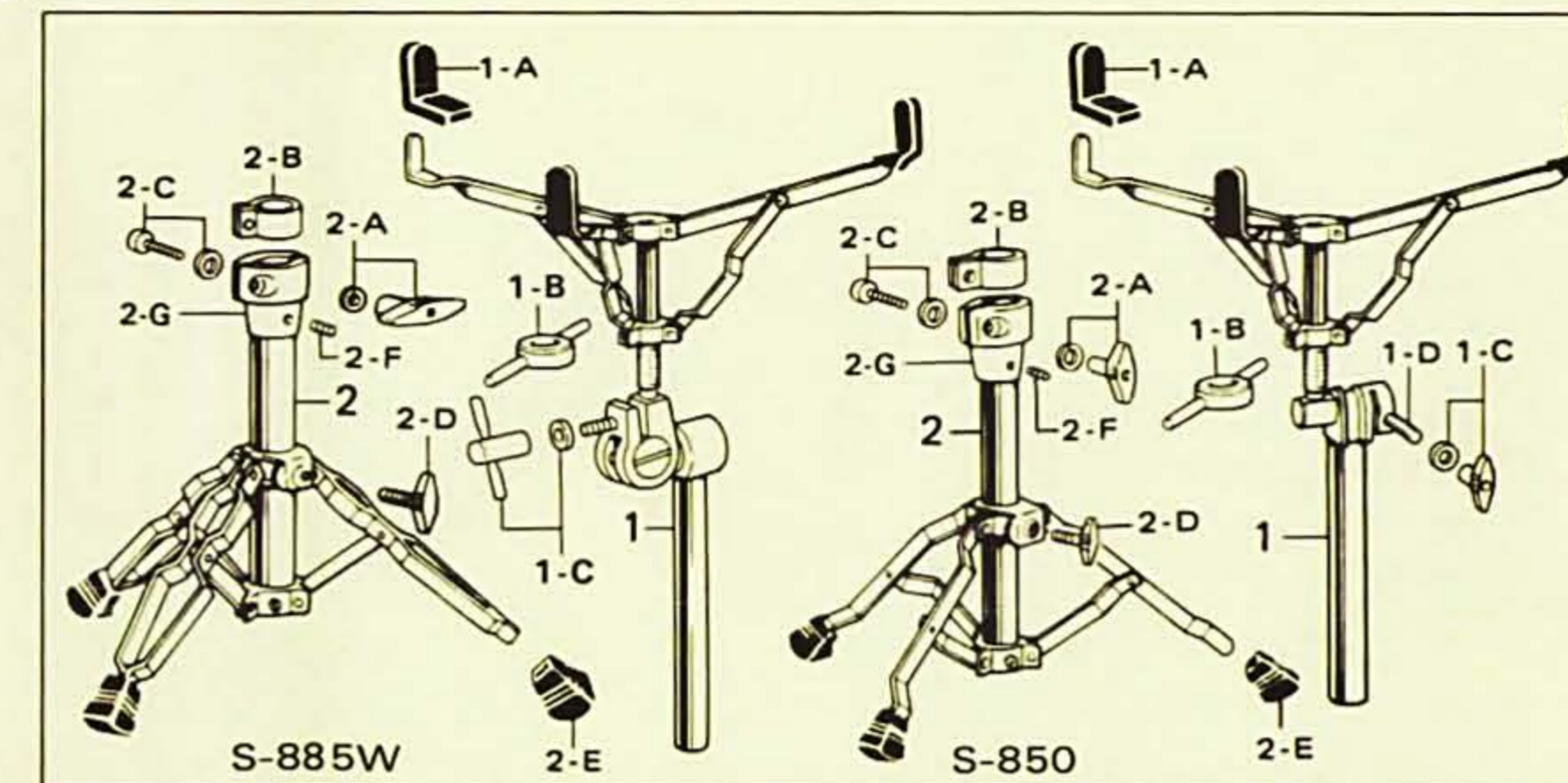
S-955W Snare Drum Stand

1	S-95AN	Basket Complete w/Upper Tube
1-A	S-95C	Screw Knob Assy. Complete
1-A-1	S-95D	Screw w/Washer
1-A-2	S-95E	Screw Knob ONLY
1-A-3	ME-219	Stop Bolt
1-A-4	S-95F	Plastic Sleeve
1-B	M-8C	Large Handle Nut w/Washer
1-C	S-85C	Rubber Sleeve
2	S-95B	Base Assy. Complete
2-A	M-6N	Die-Cast Wing Nut w/Washer
2-B	NB-7N	Nylon Bushing
2-C	SN-635	Clamp Bolt w/Nylon Washer
2-D	M-820N	Die-Cast Wing Bolt
2-E	R-20	Rubber Tip
2-F	SB-44	Allen Screw
2-G	DJ-70A	Die-Cast Joint



S-925W Snare Drum Stand

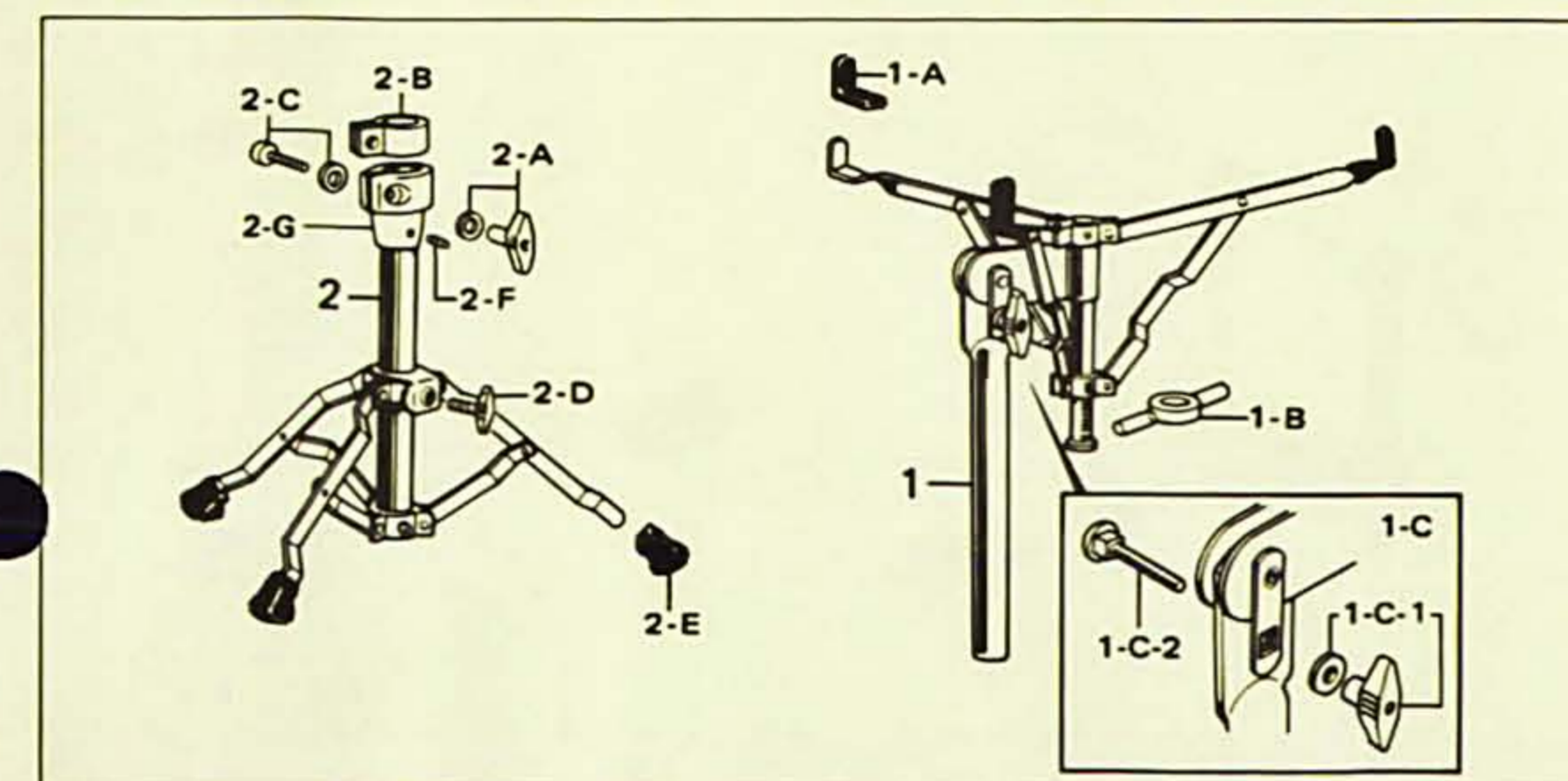
1	S-92AN	Basket Complete w/Upper Tube
1-A	S-95C	Screw Knob Assy. Complete
1-A-1	S-95D	Screw w/Washer
1-A-2	S-95E	Screw Knob ONLY
1-A-3	ME-219	Stop Bolt
1-A-4	S-95F	Plastic Sleeve
1-B	M-8C	Large Handle Nut w/Washer
1-C	S-85C	Rubber Sleeve
2	S-85B	Base Assy. Complete
2-A	M-6N	Die-Cast Wing Nut w/Washer
2-B	NB-7N	Nylon Bushing
2-C	SN-635	Clamp Bolt w/Nylon Washer
2-D	M-820N	Die-Cast Wing Bolt
2-E	R-20	Rubber Tip
2-F	SB-44	Allen Screw
2-G	DJ-70A	Die-Cast Joint



S-885W/S-850 Snare Drum Stands

1	S-88A	Basket Complete w/Upper Tube
	*S-85A	Basket Complete w/Upper Tube
1-A	S-85C	Rubber Sleeve
1-B	S-85D	Center Handle Nut
1-C	M-8C	Large Handle Nut w/Washer
	*M-6N	Die-Cast Wing Nut w/Washer
1-D	*S-640	Clamp Bolt
2	S-85B	Base Assy. Complete
	*S-75B	Base Assy. Complete
2-A	M-6N	Die-Cast Wing Nut w/Washer
2-B	NB-7N	Nylon Bushing
2-C	SN-635	Clamp Bolt w/Nylon Washer
2-D	M-820N	Die-Cast Wing Bolt
2-E	R-20	Rubber Tip
	*R-10	Rubber Tip
2-F	SB-44	Allen Screw
2-G	DJ-70A	Die-Cast Joint

*For S-850



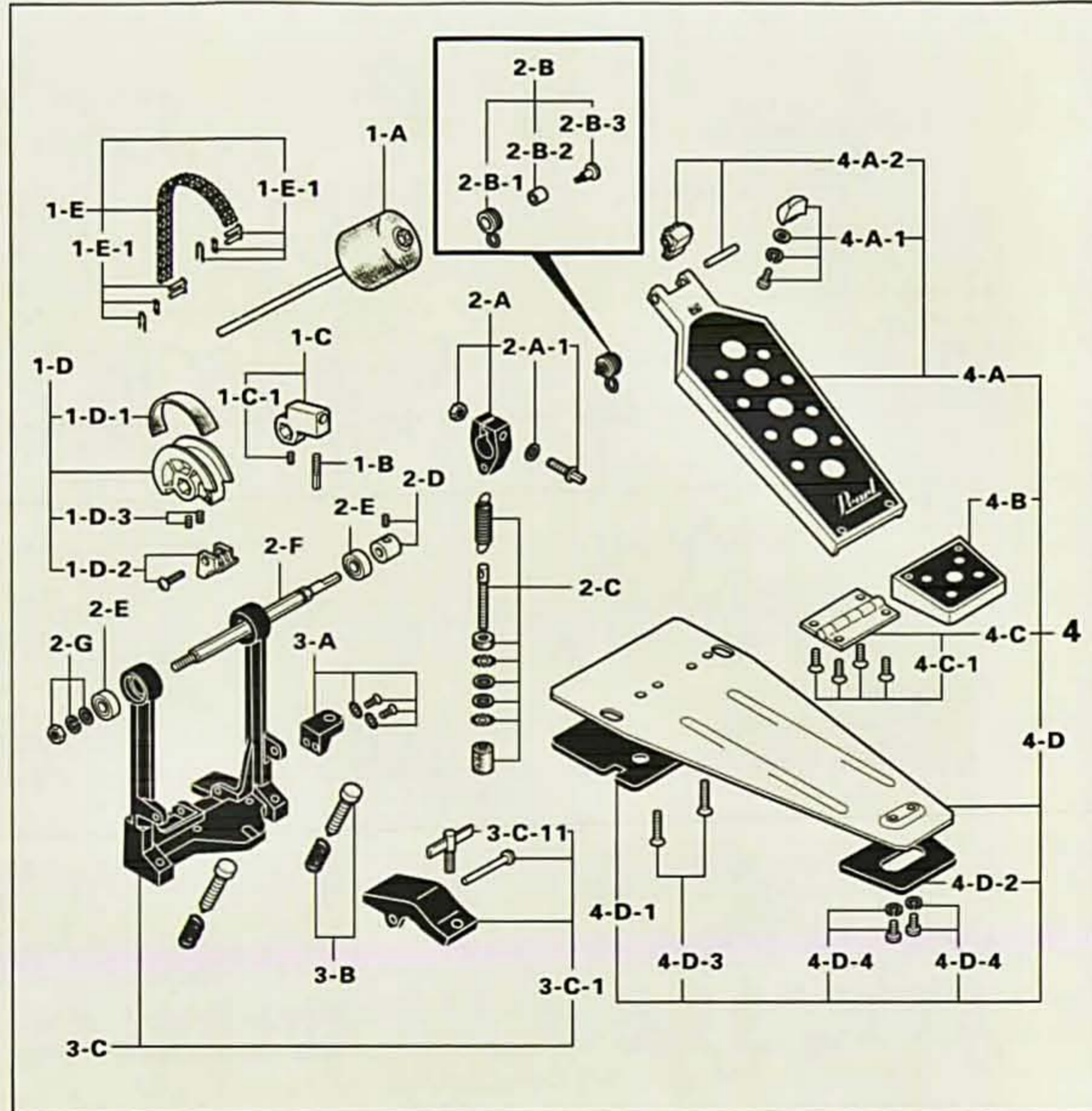
S-750 Snare Drum Stand

1	S-75A	Basket Complete w/Upper Tube
1-A	S-75C	Rubber Sleeve
1-B	S-75D	Center Handle Nut
1-C	S-75WN	Wing Nut & Bolt Assy.
1-C-1	M-8AN	Die-Cast Wing Nut w/Washer
1-C-2	SC-30B	Clamp Bolt
2	S-75B	Base Assy. Complete
2-A	M-6N	Die-Cast Wing Nut w/Washer
2-B	NB-7N	Nylon Bushing
2-C	SN-635	Clamp Bolt w/Nylon Washer
2-D	M-820N	Die-Cast Wing Bolt
2-E	R-10	Rubber Tip
2-F	SB-44	Allen Screw
2-G	DJ-70A	Die-Cast Joint

P-955P Drum Pedal

- 1-A B-200HB Pedal Beater/Hard Felt
- 1-B KB-814 Beater Setting Bolt (Key Bolt)
- 1-C BH-95 Beater Holder Link w/Allen Screw
- 1-C-1 SB-66 Allen Screw
- 1-D ALH-2W Aluminum Wheel Assy. Complete
- 1-D-1 FE-30 Felt Strip
- 1-D-2 CCP-95A Chain Connector w/Screw
- 1-D-3 SB-66 Allen Screw (one each)
- 1-E CCA-2 Connecting Chain Assy. Complete
- 1-E-1 ME-244 Chain End Connector Assy. (one each)
- 2-A BAC-1A Uni-Lock Beater Angle Cam w/Bolt & Nut Set
- 2-A-1 KB-625A Bolt & Nut Set
- 2-B US-95A Ultra Smooth Rocker. Complete
- 2-B-1 ME-338 Ultra Smooth Rocker Cam w/"S" Hook
- 2-B-2 NU-32 Ultra Smooth Rocker Bearing ONLY
- 2-B-3 ME-337 Rocker Screw ONLY
- 2-C SPA-5A Spring Assy. Complete
- *SPA-5AN Spring Assy. Complete
- SP-95 Spring (w/Felt) ONLY
- 2-D AS-95 Axle Sleeve w/Set Screw
- 2-E NU-07B Bearing (one each)
- 2-F HEX-5 Hexagonal Axle ONLY
- 2-G BSA-3A End Nut w/Washers
- 3-A SAP-1 Spring Anchor Plate w/Screws
- *SAP-1N Spring Anchor Plate w/Screws
- 3-B LT-636 Anchor Screw w/Spring
- 3-C FM-89 Pedal Frame w/Hoop Clamp
- 3-C-1 HC-88 Hoop Clamp Assy. Complete
- 3-C-11 ME-69 Handle Bolt
- 4 FBA-955 Footboard Assy. Complete
- 4-A FB-95A Footboard w/Toe Stopper Assy. & Chain Connector w/Pin
- 4-A-1 TS-95 Toe Stopper Assy.
- 4-A-2 CCP-95 Chain Connector w/Pin
- 4-B DC-256 Heel Plate
- 4-C HJ-15 Joint Hinge w/Screws
- 4-C-1 SC-191 Screw (one each)
- 4-D FP-955 Floor Plate Assy. Complete
- 4-D-1 RM-88F Rubber Mat (Front)
- 4-D-2 RM-95H Rubber Mat (Heel)
- 4-D-3 SC-149 Screw (one each)
- 4-D-4 SC-87W Screw w/Washer (one each)

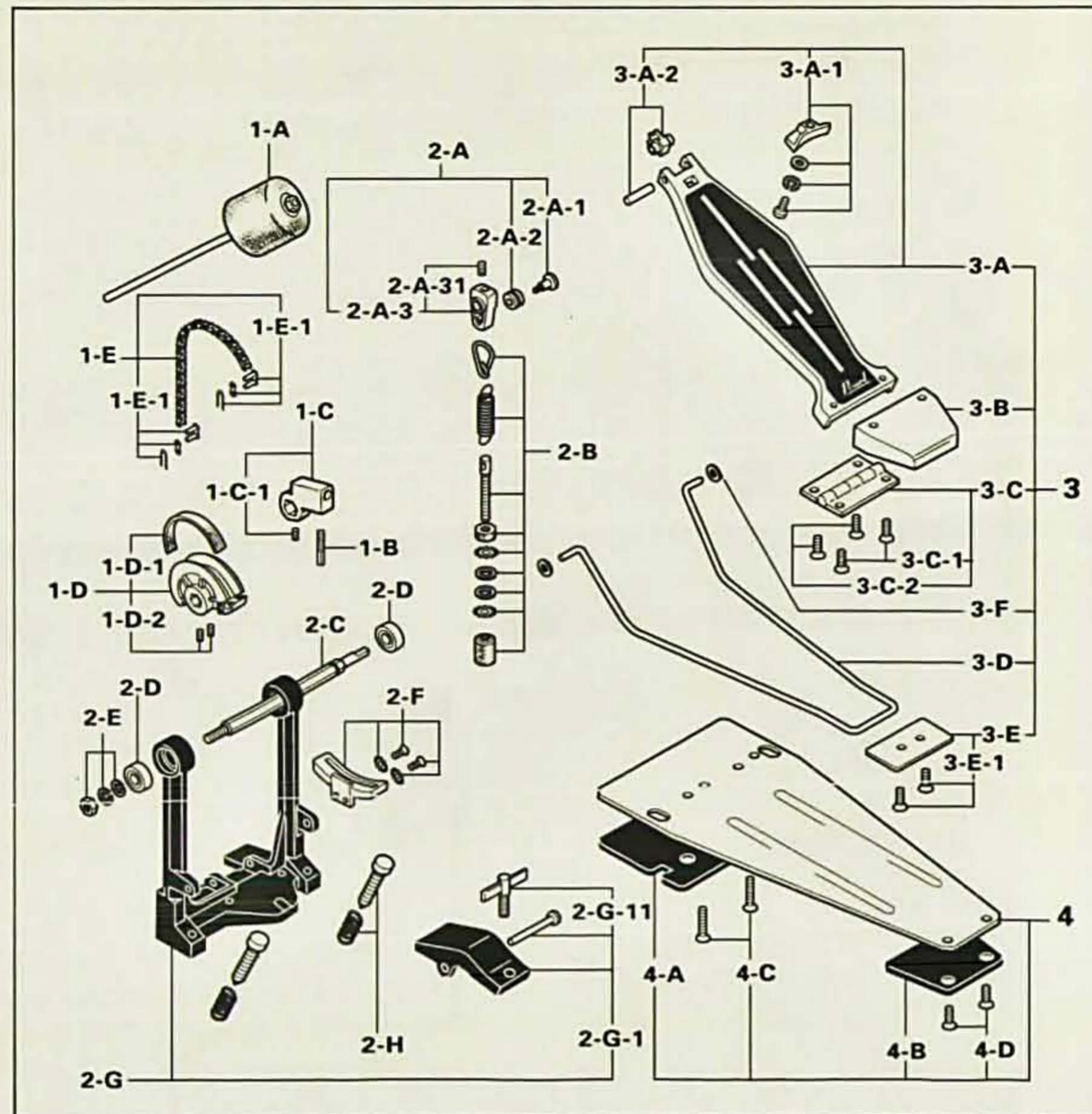
*See Page 4.



P-885/P-885P Drum Pedals

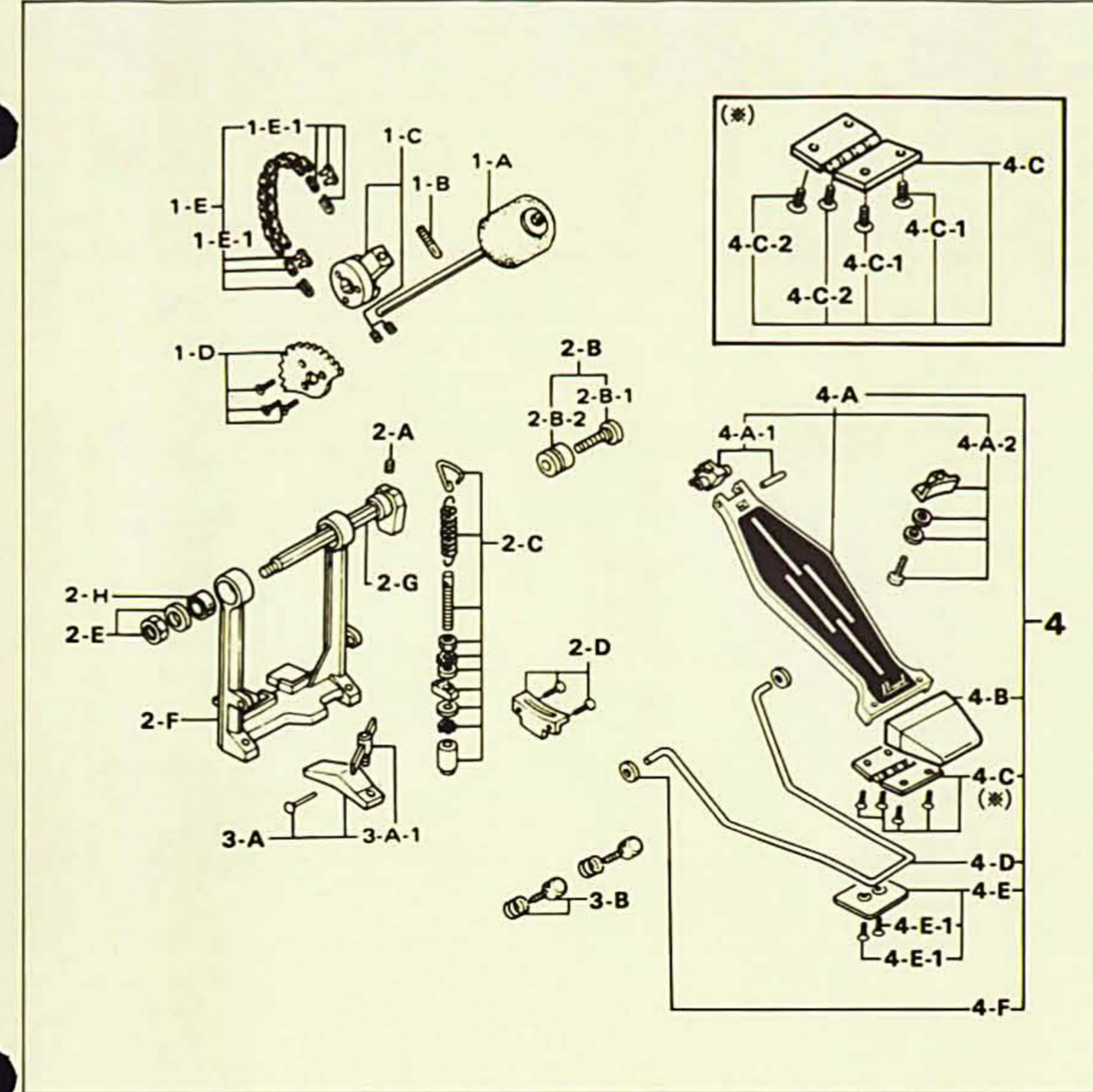
- 1-A B-150BB Pedal Beater/Hard Felt
- 1-B KB-814 Beater Setting Bolt (Key Bolt)
- 1-C BH-95 Beater Holder Link w/Allen Screw
- 1-C-1 SB-66 Allen Screw
- 1-D ALH-2 Aluminum Wheel Assy. Complete
- 1-D-1 FE-29 Felt Strip
- 1-D-2 SB-66 Allen Screw (one each)
- 1-E CCA-1 Connecting Chain Assy. Complete
- 1-E-1 ME-212 Chain End Connector Assy. (one each)
- 2-A CAL-85A Cam Assy. Complete
- 2-A-1 ME-170B Cam Bolt ONLY
- 2-A-2 ME-169B Cam Roller ONLY
- 2-A-3 CAL-85 Cam ONLY
- 2-A-31 SB-55 Allen Screw
- 2-B SPA-4A Spring Assy. Complete
- *SPA-4AN Spring Assy. Complete
- SP-31 Spring (w/Felt) ONLY
- 2-C HEX-6 Hexagonal Axle ONLY
- 2-D NU-07B Bearing (one each)
- 2-E BSA-3A End Nut w/Washers
- 2-F BAP-3 Beater Angle Adjustment Plate w/Screws
- *BAP-3N Beater Angle Adjustment Plate w/Screws
- 2-G FM-89 Pedal Frame w/Hoop Clamp
- 2-G-1 HC-88 Hoop Clamp Assy. Complete
- 2-G-11 ME-69 Handle Bolt
- 2-H LT-636 Anchor Screw w/Spring (P-885P)
- LT-626 Anchor Screw w/Spring (P-885)
- 3 FBA-88 Footboard Assy. Complete (P-885)
- FBA-88P Footboard Assy. Complete (P-885P)
- 3-A FB-88A Footboard w/Toe Stopper Assy. & Chain Connector w/Pin
- 3-A-1 TS-88 Toe Stopper Assy.
- 3-A-2 CCP-88 Chain Connector w/Pin
- 3-B DC-202 Heel Plate (P-885)
- DC-202P Heel Plate (P-885P)
- 3-C HJ-25 Joint Hinge w/Screws
- 3-C-1 SC-39 Screw (one each)
- 3-C-2 SC-191 Screw (one each)
- 3-D ME-207 Radius Rod ONLY (P-885)
- 3-E RC-88 Radius Rod Cover w/Screws (P-885)
- 3-E-1 SC-39 Screw (one each)
- 3-F WS-50 Push Nut (Radius Rod Stopper) (P-885)
- 4 FP-89 Floor Plate Assy. Complete w/Screws (P-885P)
- 4-A RM-88F Rubber Mat (Front)
- 4-B RM-88H Rubber Mat (Heel)
- 4-C SC-149 Screw (one each) (P-885P)
- 4-D SC-39 Screw (one each) (P-885P)

*See Page 4.



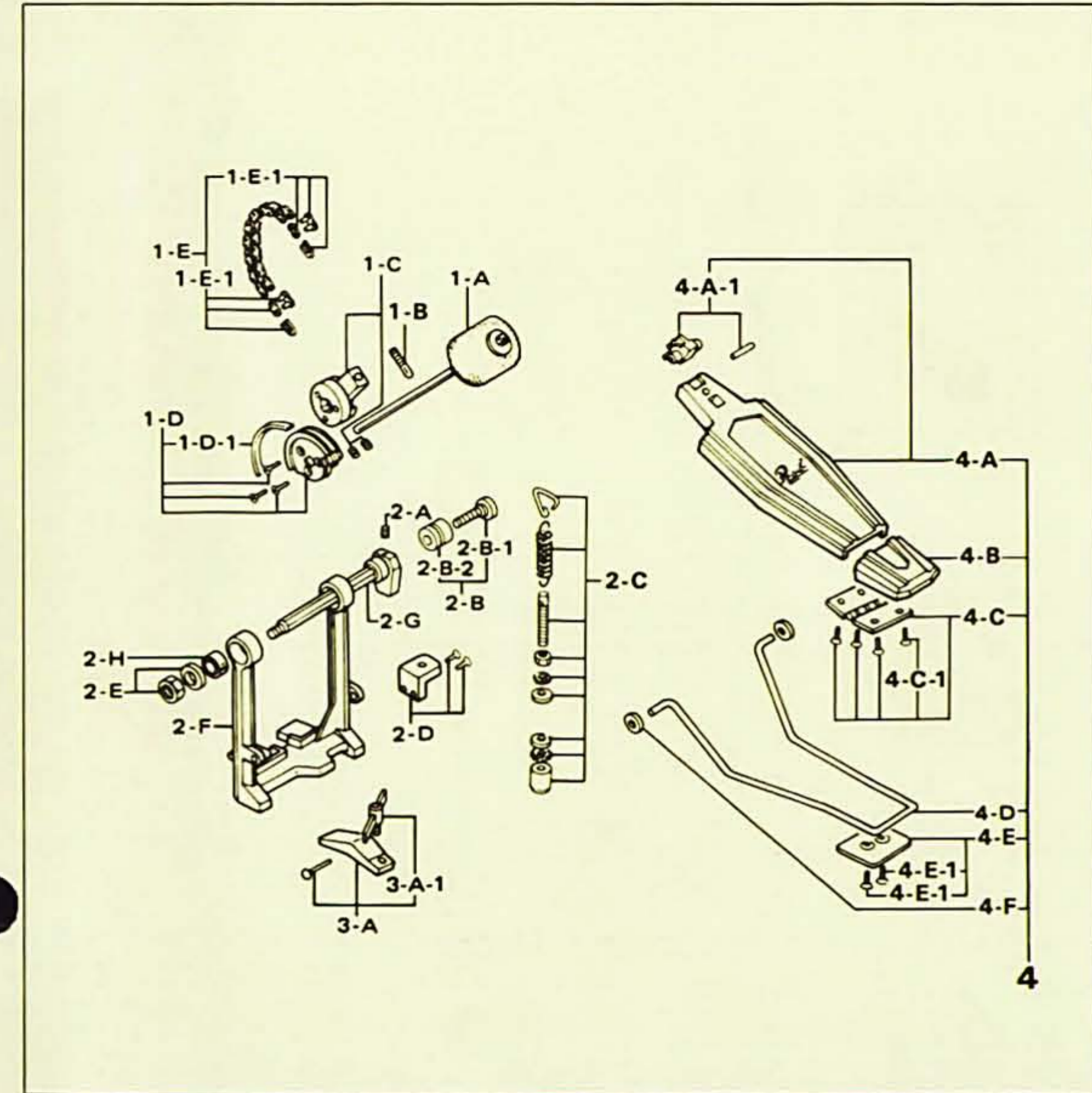
P-850 Drum Pedal

- 1-A B-150BB Pedal Beater/Hard Felt
- 1-B KB-814 Beater Setting Bolt (Key Bolt)
- 1-C BL-1A Beater Holder Link w/Allen Screws
- 1-D PLP-1S Plastic Pulley w/Screws
- 1-D-1 FE-29 Felt Strip
- 1-E CCA-1 Connecting Chain Assy. Complete
- 1-E-1 ME-212 Chain End Connector Assy. (one each)
- 2-A SB-45 Allen Screw
- 2-B CAM-1A Cam Assy. Complete
- 2-B-1 ME-170B Cam Bolt ONLY
- 2-B-2 ME-169B Cam Roller ONLY
- 2-C SPA-2A Spring Assy. Complete
- SP-31 Spring (w/Felt) ONLY
- 2-D BAP-1 Spring Anchor Plate w/Screws
- 2-E BSA-2A End Nut w/Washer
- 2-F FM-88 Pedal Frame ONLY
- 2-G HEX-2A Hexagonal Axle Assy. Complete w/Cam & Bearing
- 2-H NU-07B Bearing ONLY (one piece)
- 3-A HC-88 Hoop Clamp Assy. Complete
- 3-A-1 ME-69 Handle Bolt
- 3-B LT-626 Anchor Screw w/Spring
- 4 FBA-88 Footboard Assy. Complete
- 4-A FB-88A Footboard w/Toe Stopper Assy. & Chain Connector w/Pin
- 4-A-1 CCP-88 Chain Connector w/Pin
- 4-A-2 TS-88 Toe Stopper Assy.
- 4-B DC-202 Heel Plate
- 4-C HJ-25 Joint Hinge w/Screws
- 4-C-1 SC-39 Screw (one each)
- 4-C-2 SC-191 Screw (one each)
- 4-D ME-207 Radius Rod ONLY
- 4-E RC-88 Radius Rod Cover w/Screws
- 4-E-1 SC-39 Screw (one each)
- 4-F WS-50 Push Nut (Radius Rod Stopper)



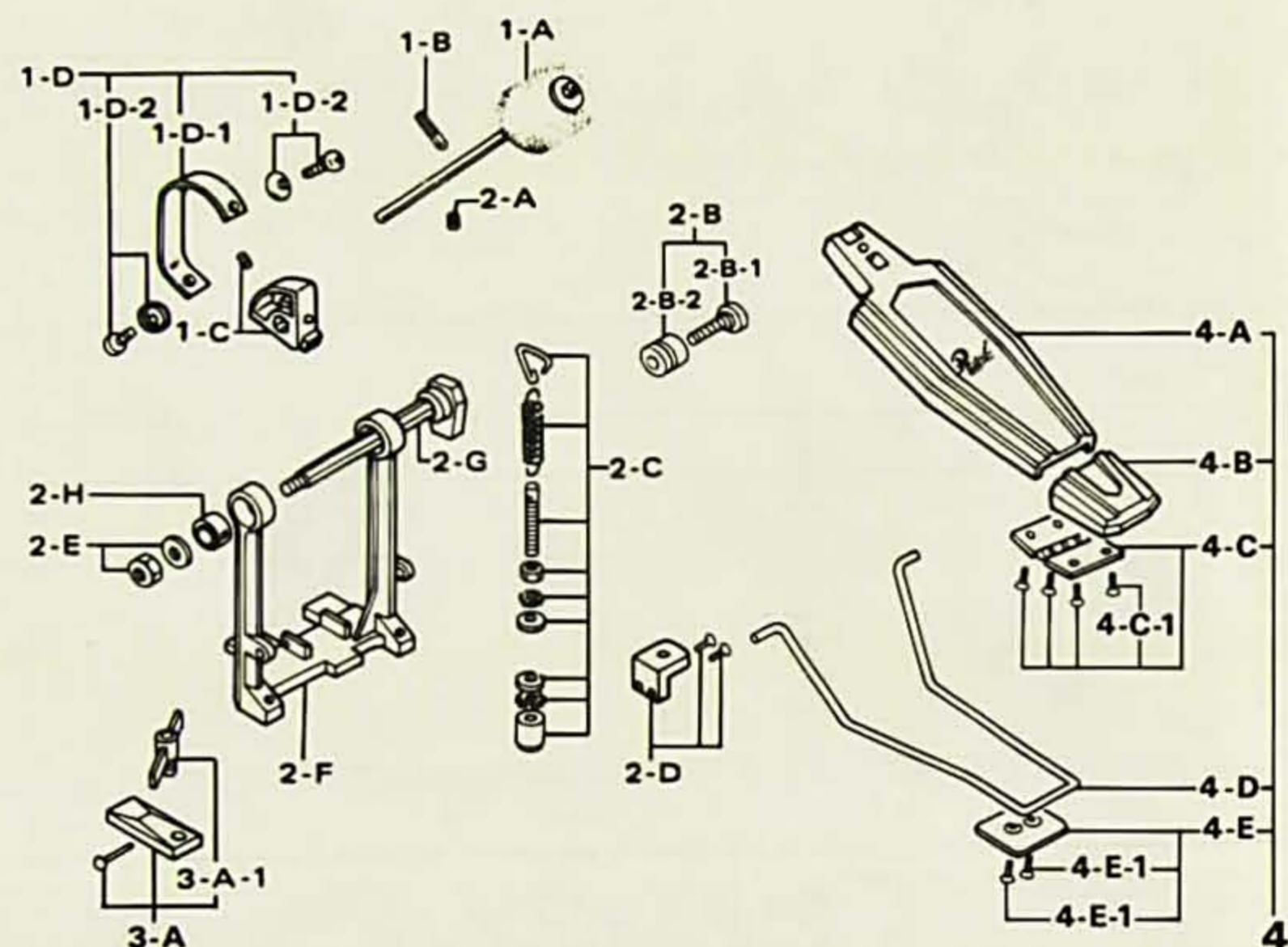
P-780 Drum Pedal

- 1-A B-150BB Pedal Beater/Hard Felt
- 1-B KB-814 Beater Setting Bolt (Key Bolt)
- 1-C BL-1A Beater Holder Link w/Allen Screws
- 1-D PLP-1S Plastic Pulley w/Screws
- 1-D-1 FE-29 Felt Strip
- 1-E CCA-1 Connecting Chain Assy. Complete
- 1-E-1 ME-212 Chain End Connector Assy. (one each)
- 2-A SB-45 Allen Screw
- 2-B CAM-1A Cam Assy. Complete
- 2-B-1 ME-170B Cam Bolt ONLY
- 2-B-2 ME-169B Cam Roller ONLY
- 2-C SPA-3B Spring Assy. Complete
- SP-32 Spring ONLY
- 2-D BAP-2 Spring Anchor Plate w/Screws
- 2-E BSA-2A End Nut w/Washer
- 2-F FM-78 Pedal Frame ONLY
- 2-G HEX-2A Hexagonal Axle Assy. Complete w/Cam & Bearing
- 2-H NU-12 Bearing ONLY (one piece)
- 3-A HC-78 Hoop Clamp Assy. Complete
- 3-A-1 ME-69 Handle Bolt
- 4 FBA-78 Footboard Assy. Complete
- 4-A FB-78A Footboard ONLY
- 4-A-1 CCP-88 Chain Connector w/Pin
- 4-B DC-72B Heel Plate
- 4-C HJ-15 Joint Hinge w/Screws
- 4-C-1 SC-191 Screw (one each)
- 4-D ME-172 Radius Rod ONLY
- 4-E RC-78 Radius Rod Cover w/Screws
- 4-E-1 SC-39 Screw (one each)
- 4-F WS-50 Push Nut (Radius Rod Stopper)



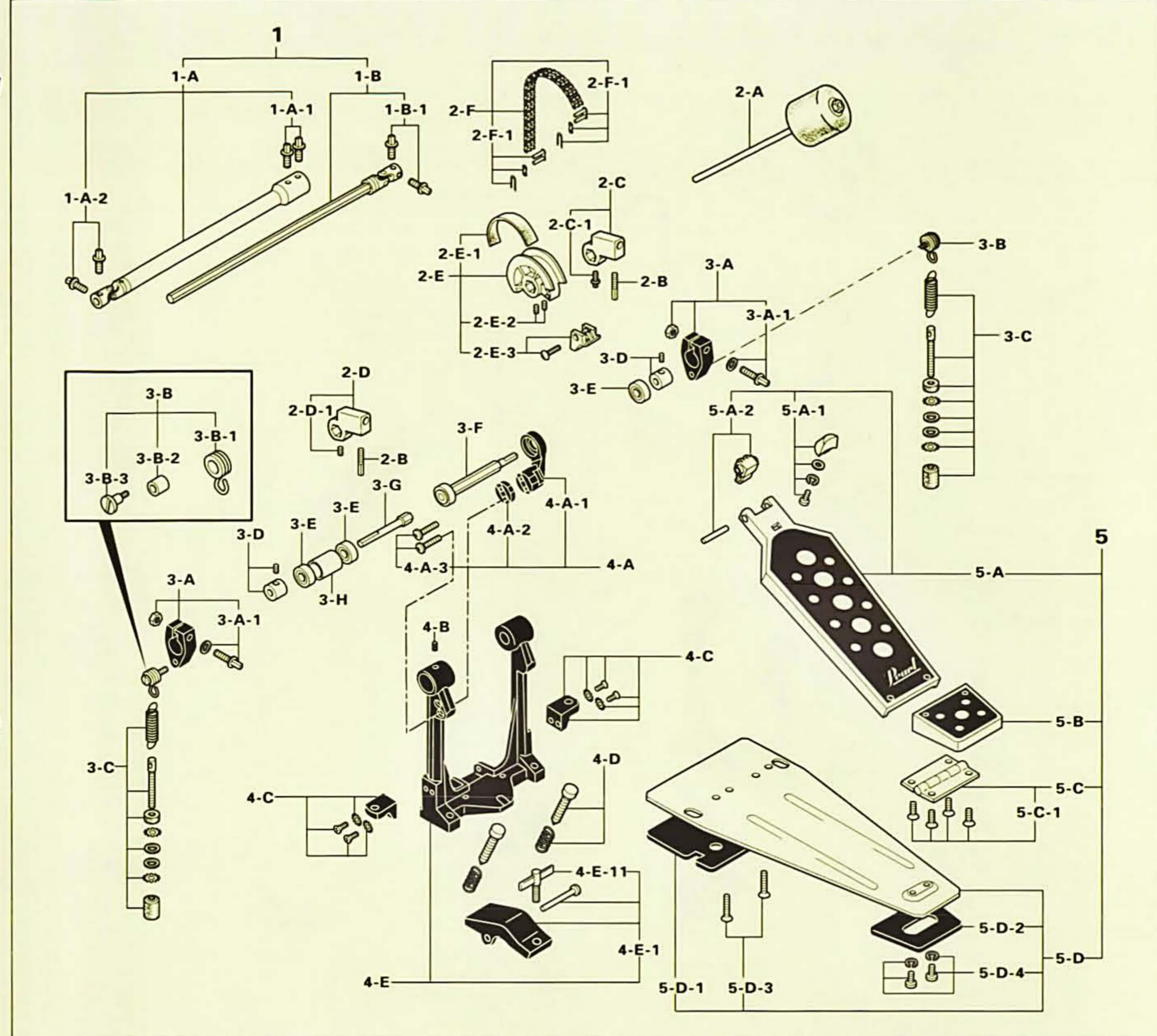
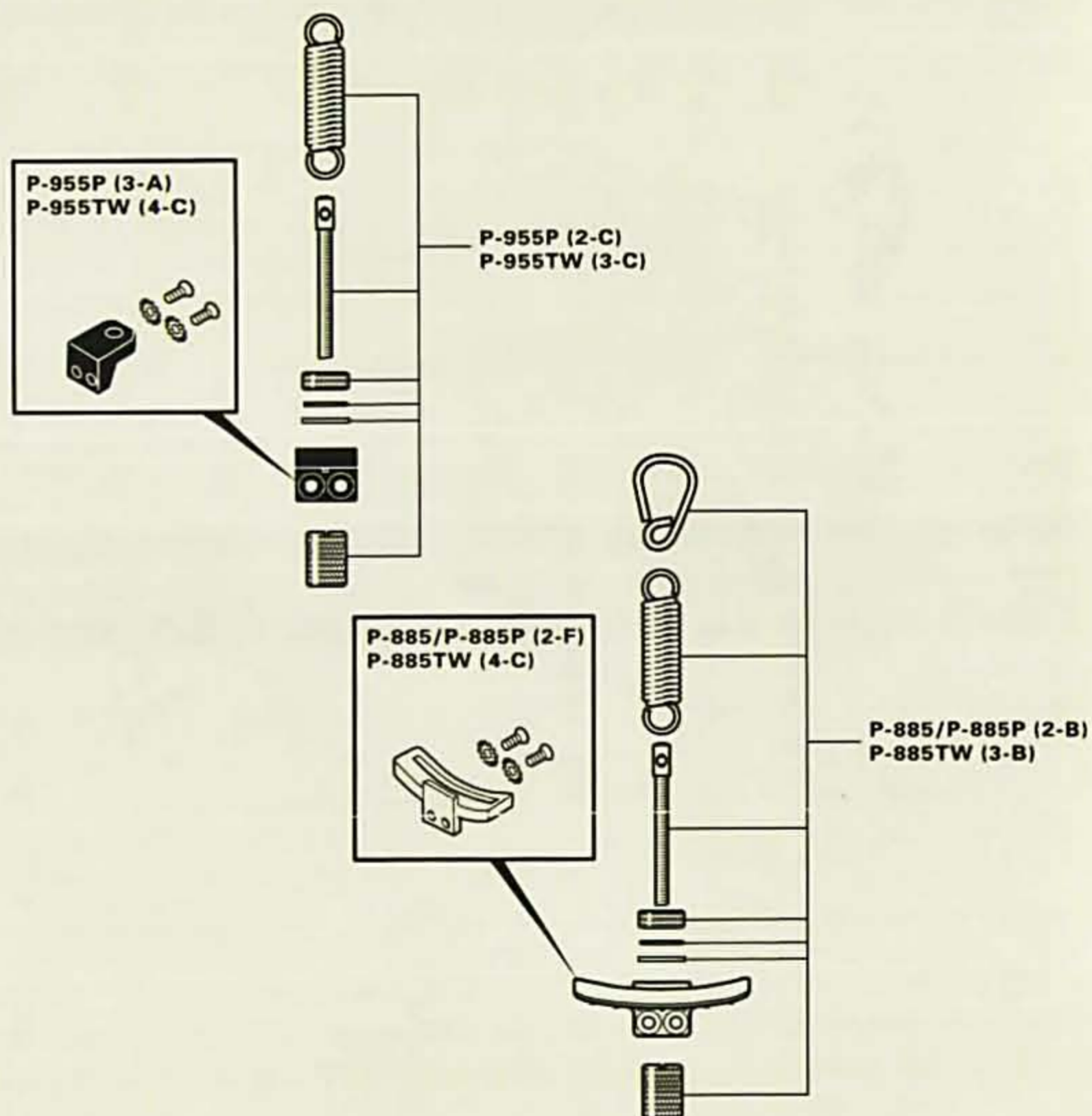
P-750 Drum Pedal

- | | | |
|-------|---------|---|
| 1-A | B-150C | Pedal Beater/Hard Felt |
| 1-B | KB-814 | Beater Setting Bolt (Key Bolt) |
| 1-C | FR-75S | Fan Rocker w/Allen Screw |
| 1-D | SR-75A | Connecting Strap w/Screws & Washers |
| 1-D-1 | NP-76 | Strap ONLY |
| 1-D-2 | SN-75 | Screw & Washer |
| 2-A | SB-45 | Allen Screw |
| 2-B | CAM-1A | Cam Assy. Complete |
| 2-B-1 | ME-170B | Cam Bolt ONLY |
| 2-B-2 | ME-169B | Cam Roller ONLY |
| 2-C | SPA-3B | Spring Assy. Complete |
| | SP-32 | Spring ONLY |
| 2-D | BAP-2 | Spring Anchor Plate w/Screws |
| 2-E | BSA-2A | End Nut w/Washer |
| 2-F | FM-78 | Pedal Frame ONLY |
| 2-G | HEX-2A | Hexagonal Axle Assy. Complete w/Cam & Bearing |
| 2-H | NU-12 | Bearing ONLY (one piece) |
| 3-A | HC-78 | Hoop Clamp Assy. Complete |
| 3-A-1 | ME-69 | Handle Bolt |
| 4 | FBA-75 | Footboard Assy. Complete |
| 4-A | FB-75 | Footboard ONLY |
| 4-B | DC-72B | Heel Plate |
| 4-C | HJ-1S | Joint Hinge w/Screws |
| 4-C-1 | SC-191 | Screw (one each) |
| 4-D | ME-172 | Radius Rod ONLY |
| 4-E | RC-78 | Radius Rod Cover w/Screws |
| 4-E-1 | SC-39 | Screw (one each) |



Drum Pedal Spring

- | | | |
|------------|---------|---|
| P-955P-2C | SPA-5AN | Spring Assy. Complete (for SAP-1N only) |
| P-955TW-3C | | |
| P-955P-3A | SAP-1N | Spring Anchor Plate w/Screws (for SPA-5AN only) |
| P-955TW-4C | | |
| P-885-2B | SPA-4AN | Spring Assy. Complete (for BAP-3N only) |
| P-885P-2B | | |
| P-885TW-3B | | |
| P-885-2F | BAP-3N | Beater Angle Adjustment Plate w/Screws (for SPA-4AN only) |
| P-885P-2F | | |
| P-885TW-4C | | |



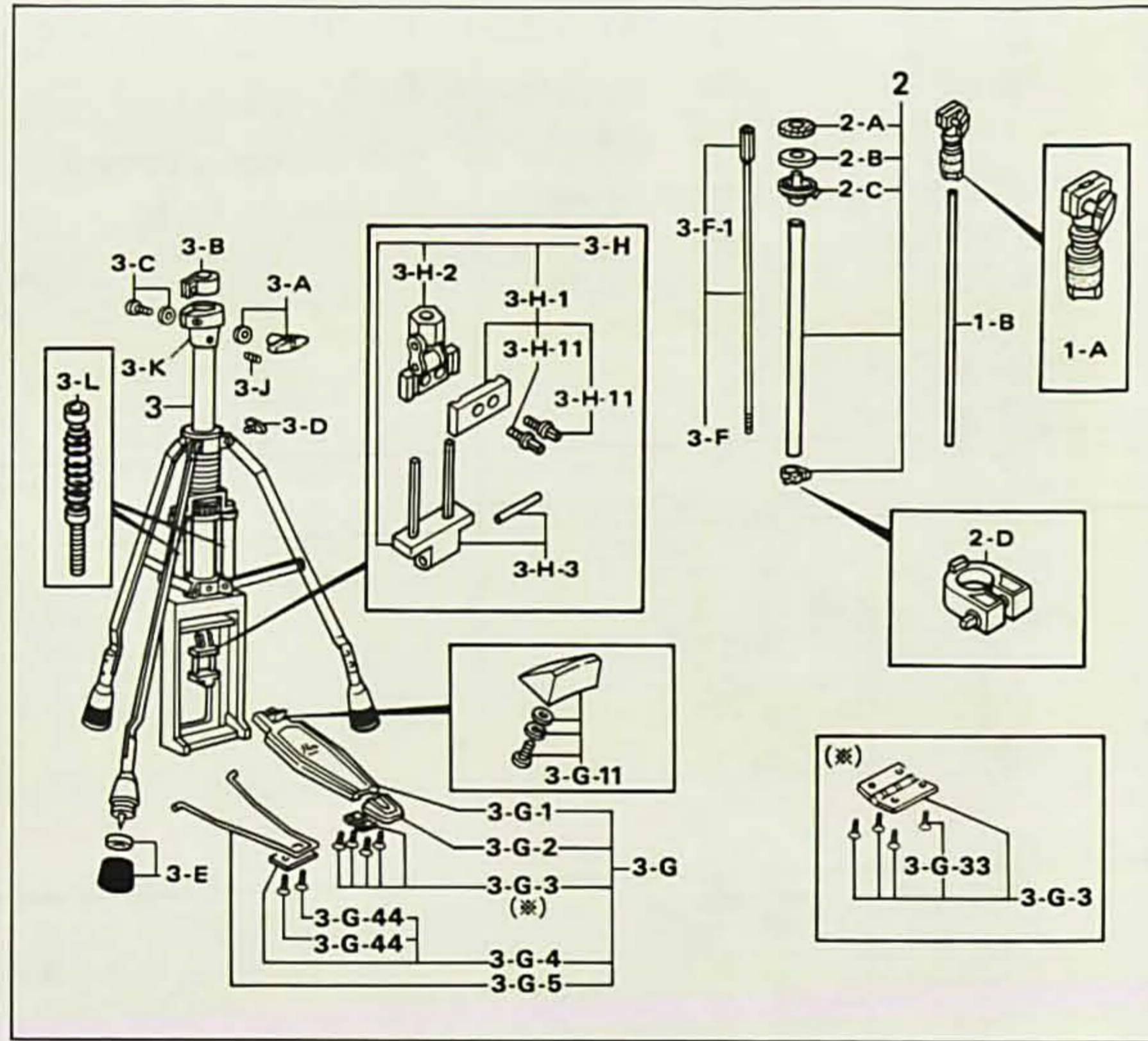
P-955TW Twin Pedal

- | | | | | | | | | |
|-------|---------|--|----------|---------|------------------------------------|---------|---------|---|
| 1 | DS-95A | Drive Shaft Assy. Complete | 3-A-1 | KB-625A | Bolt & Nut Set | 4-B | SB-44 | Allen Screw |
| 1-A | SS-95 | Drive Shaft Sleeve | 3-B | US-95A | Ultra Smooth Rocker. Complete | 4-C | SAP-1 | Spring Anchor Plate w/Screws |
| 1-A-1 | KB-610 | Key Bolt (one each) | 3-B-1 | ME-338 | Ultra Smooth Rocker Cam w/"S" Hook | *SAP-1N | | Spring Anchor Plate w/Screws |
| 1-A-2 | KB-508 | Key Bolt (one each) | | | | 4-D | LT-636 | Anchor Screw w/Spring |
| 1-B | HS-95 | Hexagonal Drive Shaft | 3-B-2 | NU-32 | Ultra Smooth Rocker Bearing ONLY | 4-E | FM-89W | Pedal Frame w/Hoop Clamp |
| 1-B-1 | KB-508 | Key Bolt (one each) | | | | 4-E-1 | HC-88 | Hoop Clamp Assy. Complete |
| 2-A | B-200HB | Pedal Beater/Hard Felt | 3-B-3 | ME-337 | Rocker Screw ONLY | 4-E-11 | ME-69 | Handle Bolt |
| 2-B | KB-814 | Beater Setting Bolt (Key Bolt) | 3-C | SPA-5A | Spring Assy. Complete | 5 | FBA-955 | Footboard Assy. Complete |
| 2-C | BH-95K | Beater Holder Link w/Key Bolt | *SPA-5AN | | Spring Assy. Complete | 5-A | FB-95A | Footboard w/Toe Stopper Assy. & Chain Connector w/Pin |
| 2-C-1 | KB-610 | Key Bolt | SP-95 | | Spring (w/Felt) ONLY | | | |
| 2-D | BH-95 | Beater Holder Link w/Allen Screw | 3-D | AS-95 | Axle Sleeve w/Set Screw | 5-A-1 | TS-95 | Toe Stopper Assy. |
| 2-D-1 | SB-66 | Allen Screw (one each) | 3-E | NU-07B | Bearing (one each) | 5-A-2 | CCP-95 | Chain Connector w/Pin |
| 2-E | ALH-2W | Aluminum Wheel Assy. Complete | 3-F | HEX-9L | Hexagonal Axle w/Bearing & Washer | 5-B | DC-256 | Heel Plate |
| 2-E-1 | FE-30 | Felt Strip | 3-G | HEX-9S | Short Axle ONLY | 5-C | HJ-1S | Joint Hinge w/Screws |
| 2-E-2 | SB-66 | Allen Screw (one each) | 3-H | BS-85 | Bearing Spacer | 5-C-1 | SC-191 | Screw (one each) |
| 2-E-3 | CCP-95A | Chain Connector w/Screws | 4-A | ASA-95A | Axle Support Assy. Complete | 5-D | FP-955 | Floor Plate Assy. Complete |
| 2-F | CCA-2 | Connecting Chain Assy. Complete | 4-A-1 | DC-313 | Axle Support Arm | 5-D-1 | RM-88F | Rubber Mat (Front) |
| 2-F-1 | ME-244 | Chain End Connector Assy. (one each) | 4-A-2 | DC-314 | Axle Support Arm Spacer | 5-D-2 | RM-95H | Rubber Mat (Heel) |
| 3-A | BAC-1A | Uni-Lock Beater Angle Cam w/Bolt & Nut Set | 4-A-3 | SC-222 | Screw (one each) | 5-D-3 | SC-149 | Screw (one each) |
| | | | | | | 5-D-4 | SC-87W | Screw w/Lock Washer (one each) |

*See Page 4.

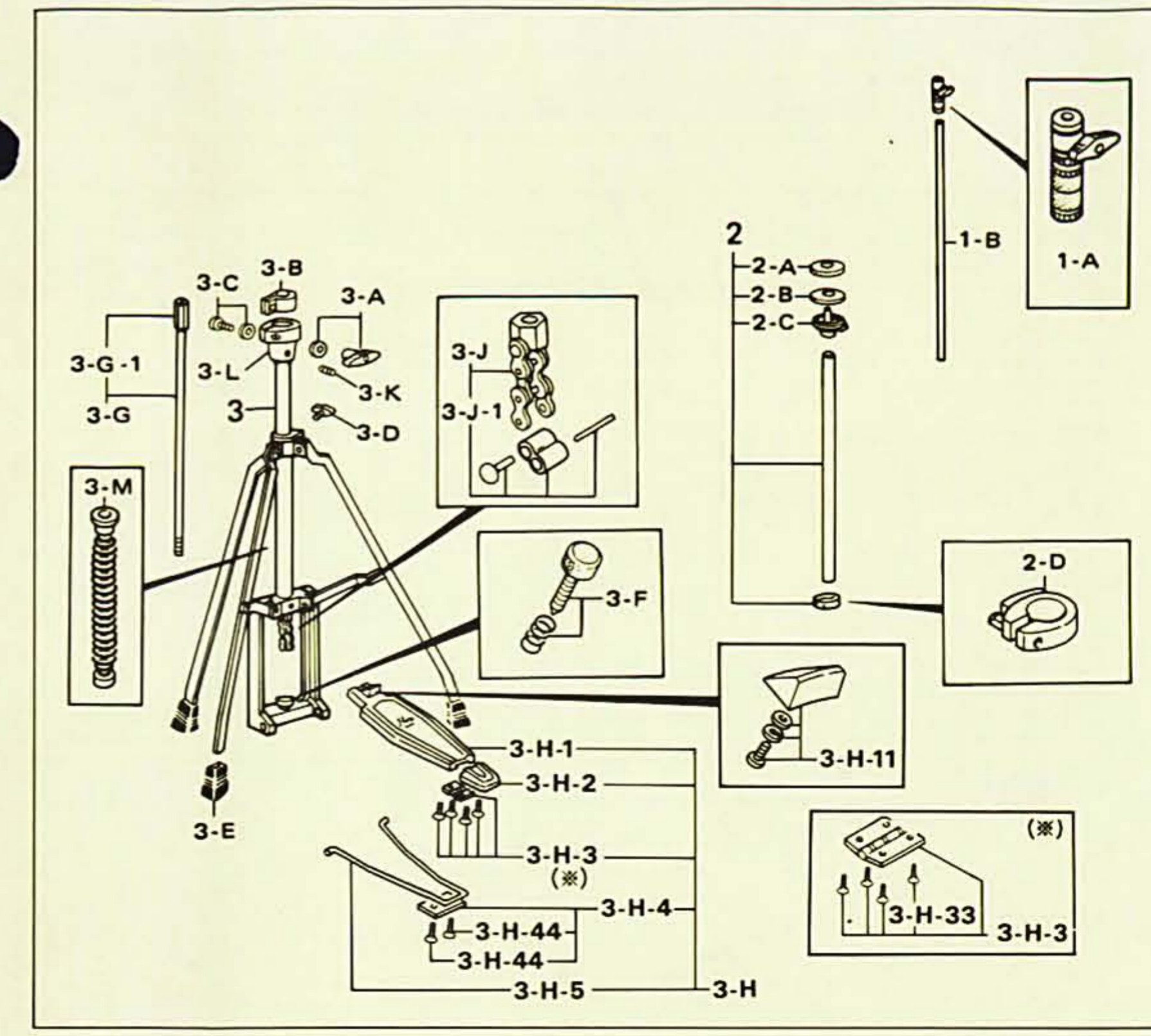
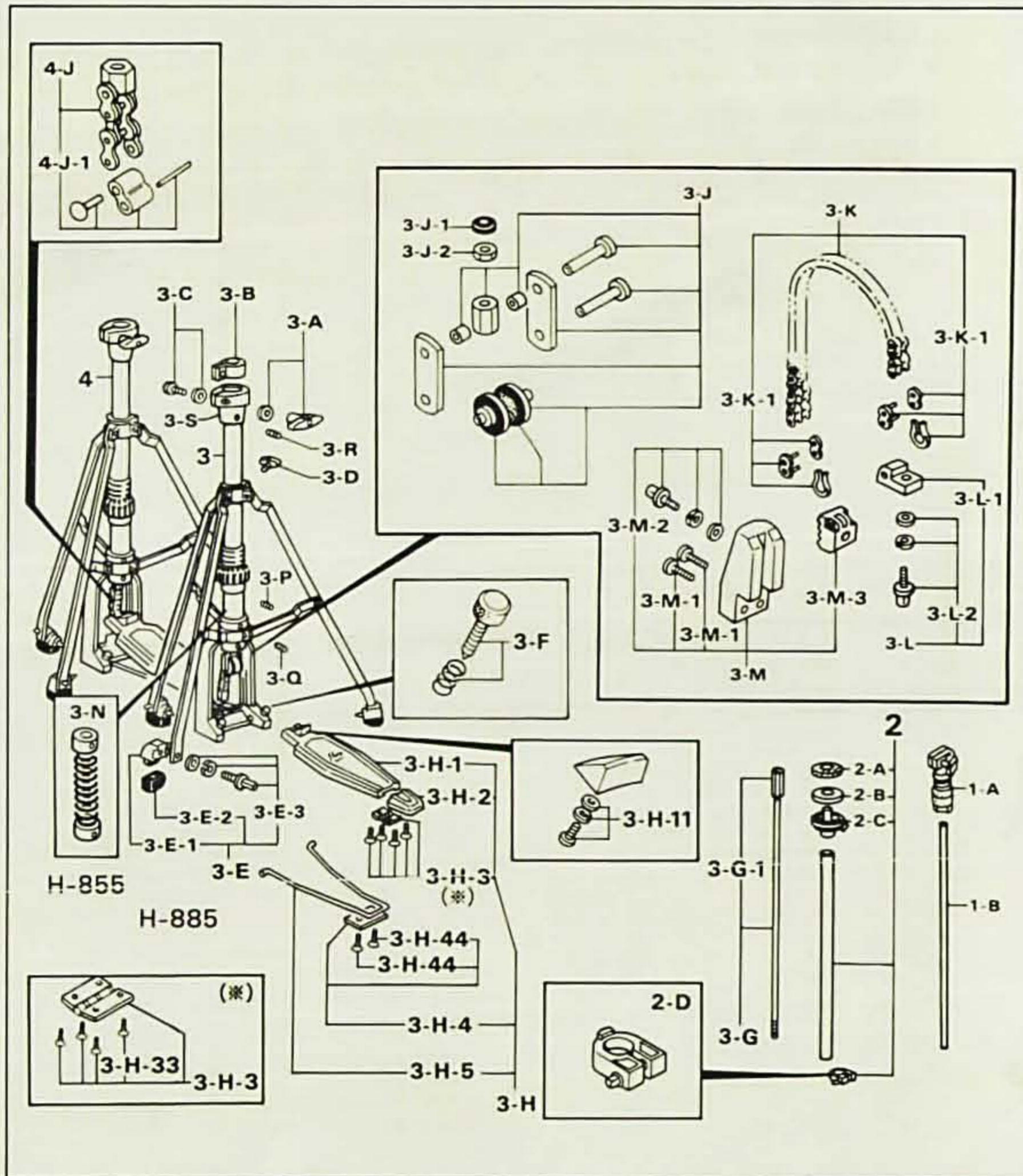
H-950 Hi-Hat Stand

- 1-A CL-95 Hi-Hat Clutch Assy. Complete
- 1-B ME-145 Upper Pull Rod
- 2 HUP-1A Upper Tube Assy. Complete
- 2-A FE-17 Felt Washer
- 2-B PR-128 Steel Washer
- 2-C HHC-1 Plastic Cup w/Tilter
- 2-D SX-4 Stop Lock
- 3 H-95L Base Assy. Complete
- 3-A M-6N Die-Cast Wing Nut w/Washer
- 3-B NB-8N Nylon Bushing
- 3-C SN-635 Clamp Bolt w/Nylon Washer
- 3-D M-820N Die-Cast Wing Bolt
- 3-E R-30A Rubber Tip w/Washer
- 3-F LS-95 Lower Pull Rod Complete
- 3-F-1 ME-123 Pull Rod Connector ONLY
- 3-G FBA-95H Footboard Assy. Complete
- 3-G-1 FB-95H Footboard ONLY
- 3-G-11 TS-88 Toe Stopper Assy.
- 3-G-2 DC-72B Heel Plate ONLY
- 3-G-3 HJ-1S Joint Hinge w/Screws
- 3-G-33 SC-191 Screw (one each)
- 3-G-4 RC-78 Radius Rod Cover w/Screws
- 3-G-44 SC-39 Screw (one each)
- 3-G-5 ME-106 Radius Rod
- 3-H H-95AJ Pedal Angle Adjustment Assy. Complete
- 3-H-1 H-95R Die-Cast Plate w/Bolts
- 3-H-11 KB-610 Key Bolt (one each)
- 3-H-2 H-95H Holder ONLY
- 3-H-3 H-95F Footboard Connector w/Pin
- 3-J SB-44 Allen Screw
- 3-K DJ-80A Die-Cast Joint
- 3-L H-95SP Spring ONLY



H-885/H-855 Hi-Hat Stands

- 1-A CL-95 Hi-Hat Clutch Assy. Complete
- 1-B ME-145 Upper Pull Rod
- 2 HUP-1A Upper Tube Assy. Complete
- 2-A FE-17 Felt Washer
- 2-B PR-128 Steel Washer
- 2-C HHC-1 Plastic Cup w/Tilter
- 2-D SX-4 Stop Lock
- 3 H-88S Base Assy. Complete (H-885)
- 3-A M-6N Die-Cast Wing Nut w/Washer
- 3-B NB-8N Nylon Bushing
- 3-C SN-635 Clamp Bolt w/Nylon Washer
- 3-D M-820N Die-Cast Wing Bolt
- 3-E CT-88A Spike Assy. Complete
- 3-E-1 AN-88 Anchor
- 3-E-2 R-8H Rubber Tip
- 3-E-3 KB-615W Key Bolt w/Washers
- 3-F LT-626 Anchor Screw w/Spring
- 3-G LS-85 Lower Pull Rod Complete
- 3-G-1 ME-123 Pull Rod Connector ONLY
- 3-H FBA-88H Footboard Assy. Complete (H-885)
- 3-H-1 FBA-95H Footboard ONLY (H-885)
- 3-H-11 TS-88 Toe Stopper Assy.
- 3-H-2 DC-72B Heel Plate ONLY
- 3-H-3 HJ-1S Joint Hinge w/Screws
- 3-H-33 SC-191 Screw (one each)
- 3-H-4 RC-78 Radius Rod Cover w/Screws
- 3-H-44 SC-39 Screw (one each)
- 3-H-5 ME-106 Radius Rod
- 3-J CHW-88 Chain Wheel Assy. Complete
- 3-J-1 FE-16 Felt
- 3-J-2 NU-23 Nut
- 3-K CCA-3 Connecting Chain Assy. Complete
- 3-K-1 ME-244 Chain End Connector Assy. (one each)
- 3-L CJA-1 Chain Joint Assy. Complete
- 3-L-1 CJ-1 Chain Joint
- 3-L-2 KB-615W Key Bolt w/Washers
- 3-M CBA-1 Chain Connecting Base Assy.
- 3-M-1 S-520 Clamp Screw (one each)
- 3-M-2 KB 615W Key Bolt w/Washers
- 3-M-3 ACJ-1 Adjustable Chain Joint
- 3-N H-85SP Spring ONLY
- 3-P SB-54 Allen Screw
- 3-Q SB-54 Allen Screw
- 3-R SB-44 Allen Screw
- 3-S DJ-80A Die-Cast Joint
- 4 H-85S Base Assy. Complete (H-855)
- 4-J CHS-1A Connecting Chain Assy. Complete
- 4-J-1 CHS-1 Chain End Connector Assy.

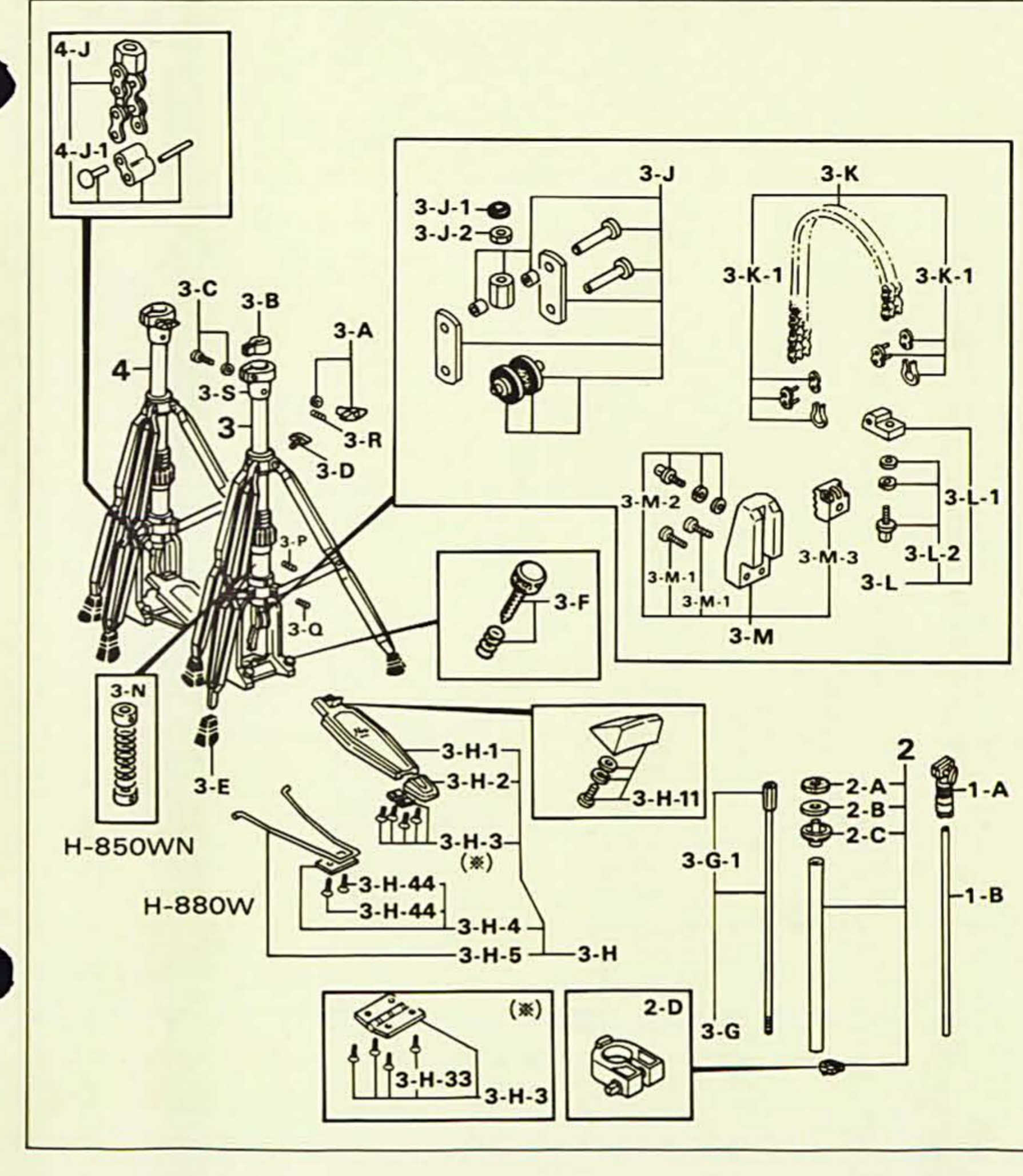


H-750 Hi-Hat Stand

- 1-A CL-90 Hi-Hat Clutch Assy. Complete
- 1-B ME-145 Upper Pull Rod
- 2 HUP-2A Upper Tube Assy. Complete
- 2-A FE-17 Felt Washer
- 2-B PR-128 Steel Washer
- 2-C HHC-1 Plastic Cup w/Tilter
- 2-D SX-6 Stop Lock
- 3 H-75L Base Assy. Complete
- 3-A M-6N Die-Cast Wing Nut w/Washer
- 3-B NB-5N Nylon Bushing
- 3-C SN-635 Clamp Bolt w/Nylon Washer
- 3-D M-815N Die-Cast Wing Bolt
- 3-E R-10 Rubber Tip
- 3-F LT-626 Anchor Screw w/Spring
- 3-G LS-75 Lower Pull Rod Complete
- 3-G-1 ME-42 Pull Rod Connector ONLY
- 3-H FBA-95H Footboard Assy. Complete
- 3-H-1 FB-95H Footboard ONLY
- 3-H-11 TS-88 Toe Stopper Assy.
- 3-H-2 DC-72B Heel Plate ONLY
- 3-H-3 HJ-1S Joint Hinge w/Screws
- 3-H-33 SC-191 Screw (one each)
- 3-H-4 RC-78 Radius Rod Cover w/Screws
- 3-H-44 SC-39 Screw (one each)
- 3-H-5 ME-106 Radius Rod
- 3-J CHS-2A Connecting Chain Assy. Complete
- 3-J-1 CHS-1 Chain End Connector Assy.
- 3-K SB-44 Allen Screw
- 3-L DJ-50A Die-Cast Joint
- 3-M H-75SP Spring ONLY

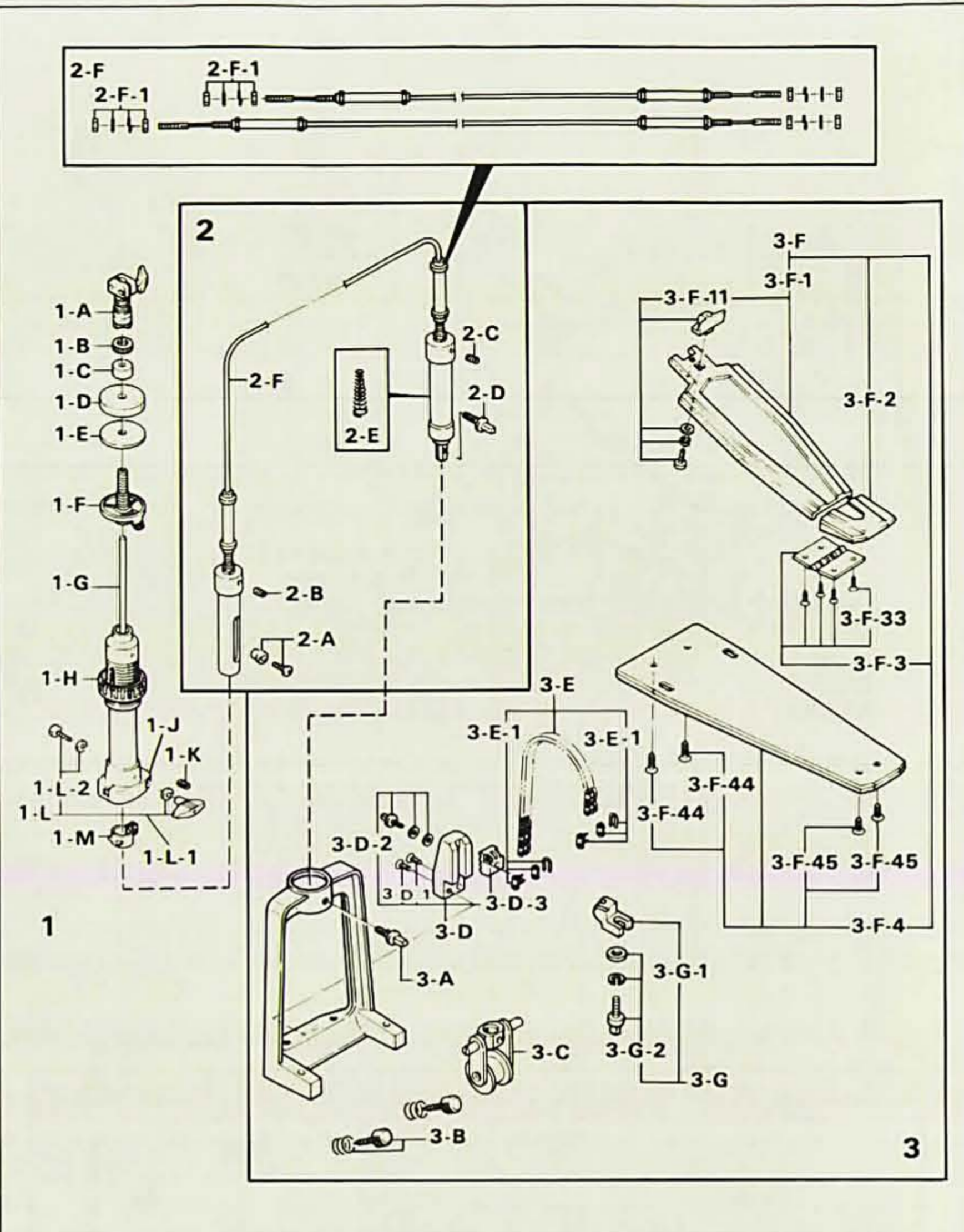
H-880W/H-850WN Hi-Hat Stands

- 1-A CL-95 Hi-Hat Clutch Assy. Complete
- 1-B ME-145 Upper Pull Rod
- 2 HUP-1A Upper Tube Assy. Complete
- 2-A FE-17 Felt Washer
- 2-B PR-128 Steel Washer
- 2-C HHC-1 Plastic Cup w/Tilter
- 2-D SX-4 Stop Lock
- 3 H-88W Base Assy. Complete (H-880W)
- 3-A M-6N Die-Cast Wing Nut w/Washer
- 3-B NB-8N Nylon Bushing
- 3-C SN-635 Clamp Bolt w/Nylon Washer
- 3-D M-820N Die-Cast Wing Bolt
- 3-E R-22 Rubber Tip
- 3-F LT-626 Anchor Screw w/Spring
- 3-G LS-85 Lower Pull Rod Complete
- 3-G-1 ME-123 Pull Rod Connector ONLY
- 3-H FBA-88H Footboard Assy. Complete (H-880W)
- 3-H-1 FBA-95H Footboard ONLY (H-880W)
- 3-H-11 TS-88 Toe Stopper Assy.
- 3-H-2 DC-72B Heel Plate ONLY
- 3-H-3 HJ-1S Joint Hinge w/Screws
- 3-H-33 SC-191 Screw (one each)
- 3-H-4 RC-78 Radius Rod Cover w/Screws
- 3-H-44 SC-39 Screw (one each)
- 3-H-5 ME-106 Radius Rod
- 3-J CHW-88 Chain Wheel Assy. Complete
- 3-J-1 FE-16 Felt
- 3-J-2 NU-23 Nut
- 3-K CCA-3 Connecting Chain Assy. Complete
- 3-K-1 ME-244 Chain End Connector Assy. (one each)
- 3-L CJA-1 Chain Joint Assy. Complete
- 3-L-1 CJ-1 Chain Joint
- 3-L-2 KB-610W Key Bolt w/Washers
- 3-M CBA-1 Chain Connecting Base Assy.
- 3-M-1 S-520 Screw (one each)
- 3-M-2 KB-610W Key Bolt w/Washers
- 3-M-3 ACJ-1 Adjustable Chain Joint
- 3-N H-85SP Spring ONLY
- 3-P SB-54 Allen Screw
- 3-Q SB-54 Allen Screw
- 3-R SB-44 Allen Screw
- 3-S DJ-80A Die-Cast Joint
- 4 H-85WN Base Assy. Complete (H-850WN)
- 4-J CHS-1A Connecting Chain Assy. Complete
- 4-J-1 CHS-1 Chain End Connector Assy.



RH-880/RH-880S Remote Hats

- | | | |
|--------|----------|--------------------------------------|
| 1 | RH-88A | Hi-Hat Section Assy. Complete |
| 1-A | CL-95 | Hi-Hat Clutch Assy. Complete |
| 1-B | ME-188 | Lock Nut |
| 1-C | FE-10 | Felt Washer — small |
| 1-D | FE-17 | Felt Washer — large |
| 1-E | PR-128 | Steel Washer |
| 1-F | HHC-1 | Plastic Cup w/Tilter |
| 1-G | ME-294 | Upper Pull Rod |
| 1-H | NP-6263 | Spring Tension Adjustment Knob Set |
| 1-J | DJ-80A | Die-Cast Joint |
| 1-K | SB-44 | Allen Screw |
| 1-L | SN-88N | Wing Nut & Clamp Bolt Set |
| 1-L-1 | M-6N | Die-Cast Wing Nut w/Washer |
| 1-L-2 | SN-635 | Clamp Bolt w/Nylon Washer |
| 1-M | NB-8N | Nylon Bushing |
| 2 | CAU-880S | Cable Unit Assy. Complete (Short) |
| | CAU-880 | Cable Unit Assy. Complete (Long) |
| 2-A | RB-88 | Roller & Bolt |
| 2-B | SB-54 | Allen Screw |
| 2-C | SB-54 | Allen Screw |
| 2-D | KB-620 | Key Bolt |
| 2-E | RH-88SP | Spring ONLY |
| 2-F | CA-88S | Cable Assy. (Short) |
| | CA-88 | Cable Assy. (Long) |
| 2-F-1 | WN-88 | Nuts & Washers Set |
| 3 | RH-88B | Footboard Unit Complete |
| 3-A | KB-608 | Key Bolt |
| 3-B | LT-636 | Anchor Screw w/Spring |
| 3-C | CHW-88RH | Chain Wheel Assy. |
| 3-D | CBA-1 | Chain Connecting Base Assy. |
| 3-D-1 | S-520 | Clamp Screw (one each) |
| 3-D-2 | KB-615W | Key Bolt w/Washers |
| 3-D-3 | ACJ-1 | Adjustable Chain Joint |
| 3-E | CCA-3 | Chain Connecting Assy. Complete |
| 3-E-1 | ME-244 | Chain End Connector Assy. (one each) |
| 3-F | FBA-880H | Footboard Assy. Complete |
| 3-F-1 | FB-88H | Footboard ONLY |
| 3-F-11 | TS-88 | Toe Stopper Assy. |
| 3-F-2 | DC-72B | Heel Plate ONLY |
| 3-F-3 | HJ-1S | Joint Hinge w/Screws |
| 3-F-33 | SC-191 | Screw (one each) |
| 3-F-4 | FP-88A | Floor Plate Assy. Complete |
| 3-F-44 | SC-149 | Screw (one each) |
| 3-F-45 | SC-39 | Screw (one each) |
| 3-G | CJA-1 | Chain Joint Assy. Complete |
| 3-G-1 | CJ-1 | Chain Joint |
| 3-G-2 | KB-615W | Key Bolt w/Washers |

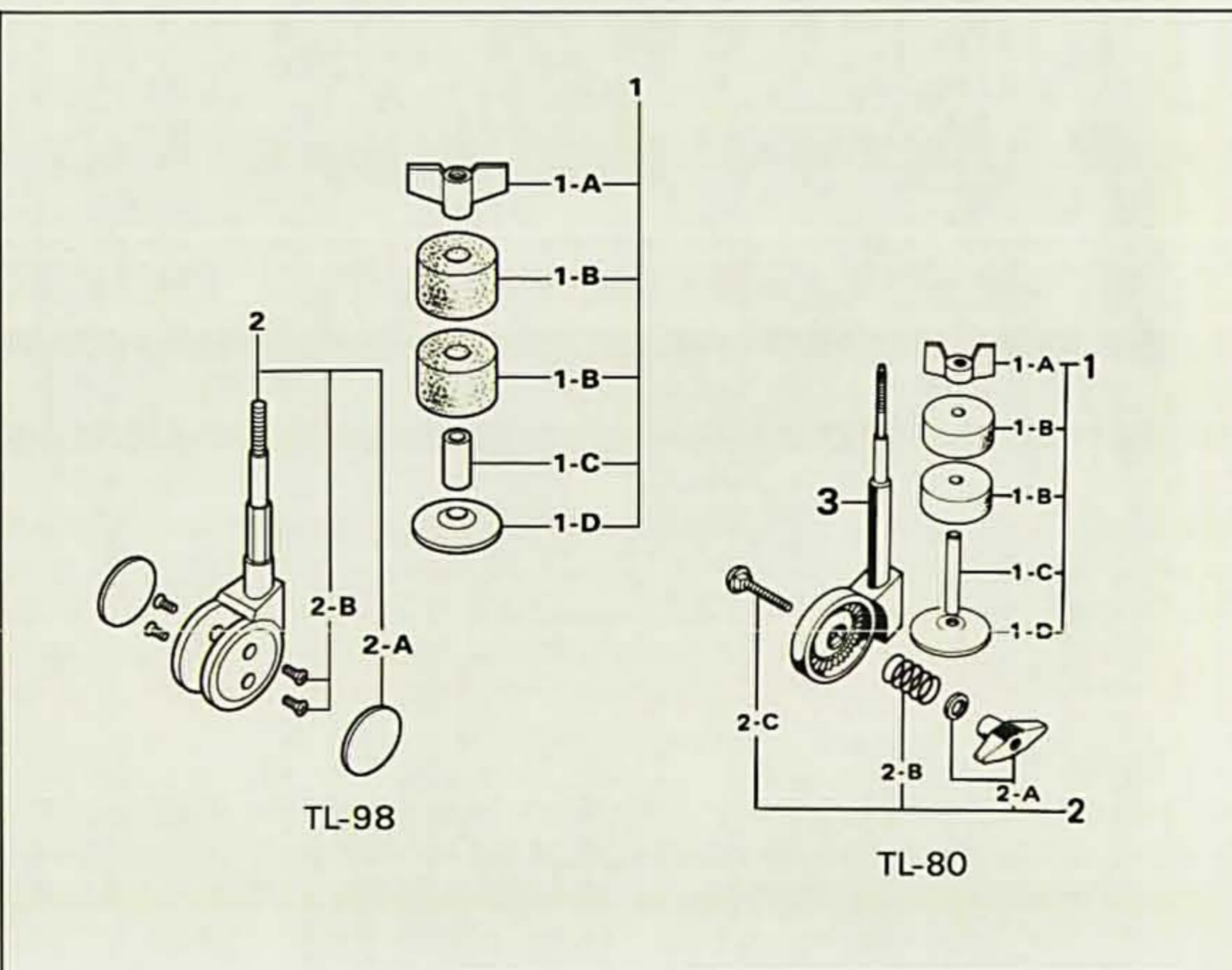


TL-98 Cymbal Tilter

- | | | |
|-----|--------|-------------------------------|
| 1 | FL-90A | Upper Tilter Section Complete |
| 1-A | M-8W | Wing Nut |
| 1-B | FL-90 | Felt Washer (one each) |
| 1-C | NP-69 | Plastic Sleeve |
| 1-D | PR-135 | Cup Washer |
| 2 | TL-98B | Tilter Unit |
| 2-A | TP-98 | Tilter Plate |
| 2-B | SC-126 | Screw (one each) |

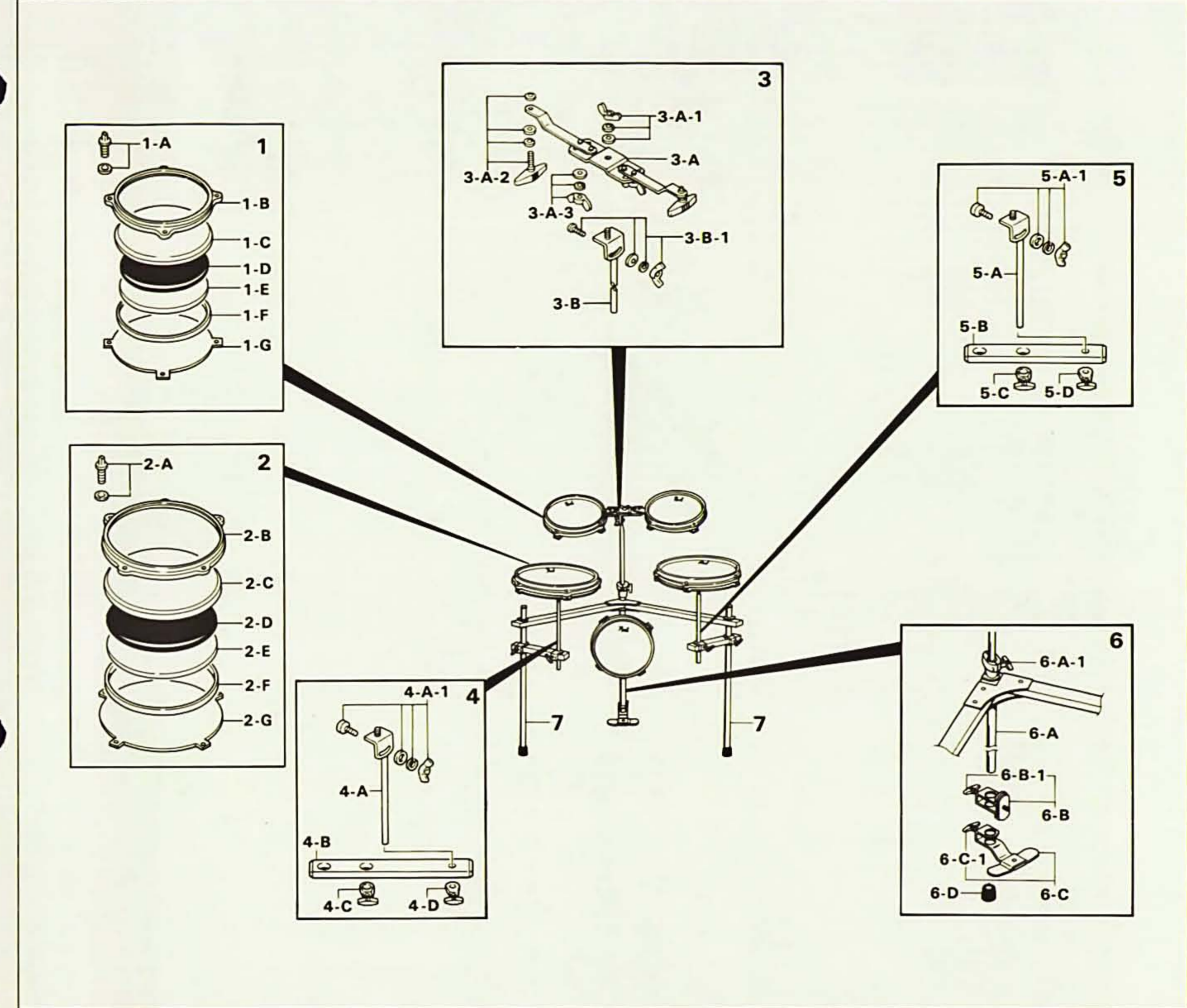
TL-80 Cymbal Tilter

- *For B-750/C-750/CH-75/CH-70
- | | | |
|-----|---------|-------------------------------|
| 1 | FL-80A | Upper Tilter Section Complete |
| 1-A | M-8W | Wing Nut |
| 1-B | FL-85 | Felt Washer (one each) |
| 1-C | NP-70 | Plastic Sleeve |
| 1-D | PR-135 | Cup Washer |
| 2 | SN-80AN | Bolt & Nut Set w/Spring |
| 2-A | M-8BN | Die-Cast Wing Nut w/Washer |
| 2-B | SP-O32 | Spring |
| 2-C | SC-30B | Clamp Bolt |
| 3 | TL-80A | Tilter Unit |



TK-50 Practice Kit

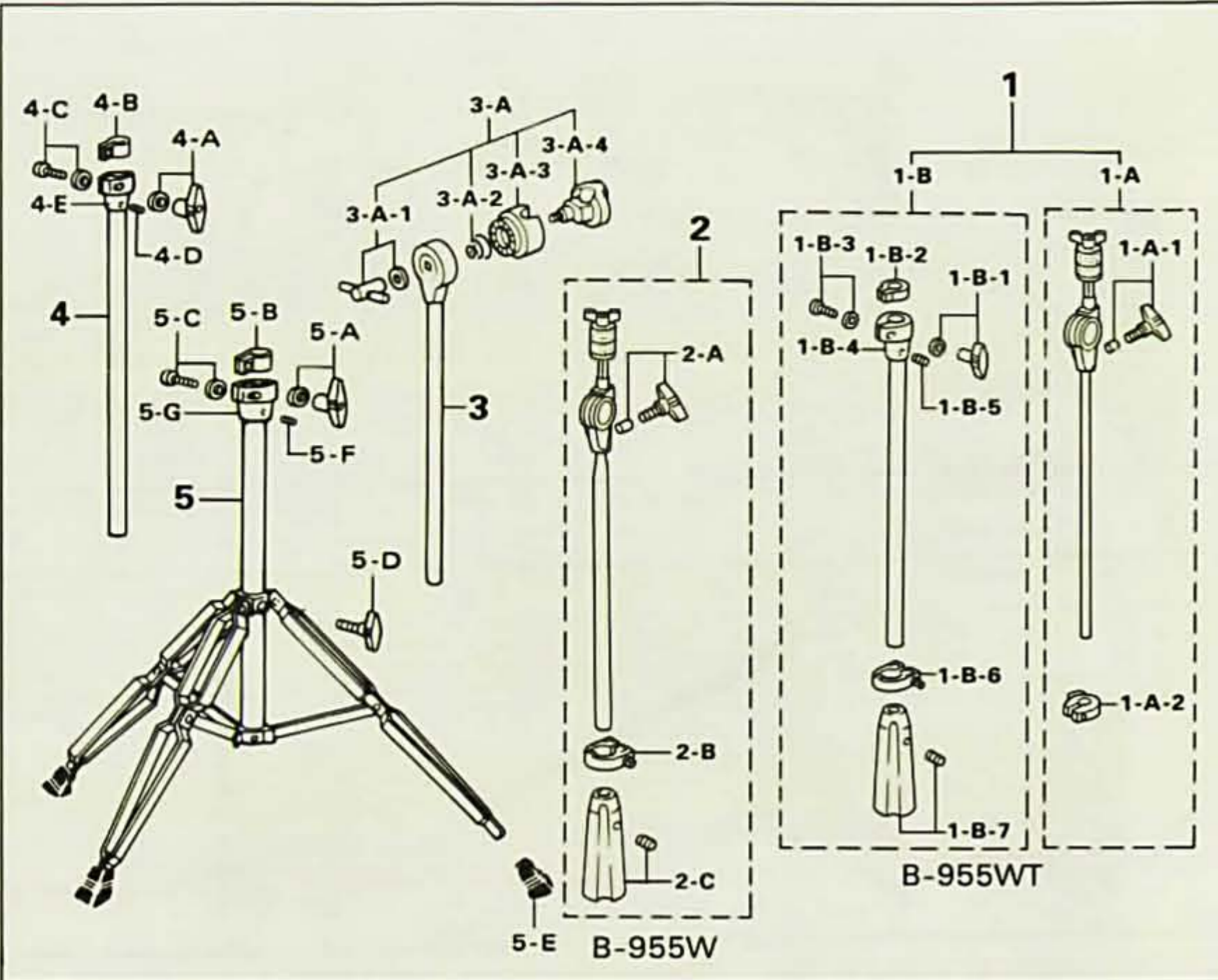
- | | | |
|-------|----------|------------------------------------|
| 1 | PAD-8 | 8" Pad |
| 1-A | KB-630W | Key Bolt w/Washer (one each) |
| 1-B | PAD-8RM | 8" Rim |
| 1-C | SW-8 | 8" Head |
| 1-D | PAD-8RS | Rubber Spacer |
| 1-E | PAD-8SP | Sponge Pad |
| 1-F | PAD-8SL | Spacer Link |
| 1-G | PAD-8BP | Base Plate |
| 2 | PAD-10 | 10" Pad |
| 2-A | KB-630W | Key Bolt w/Washer (one each) |
| 2-B | PAD-10RM | 10" Rim |
| 2-C | SW-10 | 10" Head |
| 2-D | PAD-10RS | Rubber Spacer |
| 2-E | PAD-10SP | Sponge Pad |
| 2-F | PAD-10SL | Spacer Link |
| 2-G | PAD-10BP | Base Plate |
| 3 | TKH-8WA | Twin Tom Pad Holder Assy. Complete |
| 3-A | TKH-8W | Twin Tom Pad Holder Assy. |
| 3-A-1 | M-8K | Wing Nut w/Washers |
| 3-A-2 | M-820TKN | Die-Cast Wing Bolt w/Washer |
| 3-A-3 | M-6K | Wing Nut w/Washers |
| 3-B | TKH-8BT | Base Tube Assy. |
| 3-B-1 | SN-6TK | Clamp Bolt Set |
| 4 | TKH-10LA | Pad Holder Assy. Complete |
| 4-A | TKH-10BT | Base Tube Assy. |
| 4-A-1 | SN-6TK | Clamp Bolt Set |
| 4-B | TKB-10L | Pad Mounting Bar (Long) |
| 4-C | TKB-1N | Bracket for Tube Leg |
| 4-D | TKB-2N | Bracket for Base Tube |
| 5 | TKH-10SA | Pad Holder Assy. Complete |
| 5-A | TKH-10BT | Base Tube Assy. |
| 5-A-1 | SN-6TK | Clamp Bolt Set |
| 5-B | TKB-10S | Pad Mounting Bar (Short) |
| 5-C | TKB-1N | Bracket for Tube Leg |
| 5-D | TKB-2N | Bracket for Base Tube |
| 6 | TKL-1A | Center Tube Leg w/Joint |
| 6-A | TKL-1 | Center Tube Leg |
| 6-A-1 | M-6N | Die-Cast Wing Nut w/Washer |
| 6-B | TKL-1PB | Base Drum Pad Bracket |
| 6-B-1 | M-820N | Die-Cast Wing Bolt |
| 6-C | TKL-1C | Clamp for Drum Pedal |
| 6-C-1 | M-820N | Die-Cast Wing Bolt |
| 6-D | TKL-1R | Rubber Tip |
| 7 | TKL-2 | Tube Leg |
| 7-A | TKL-1R | Rubber Tip |



B-955WT/B-955W Cymbal Boom Stands

- 1 B-98TA Boom Arm Assy. Complete (for B-955WT)
- 1-A BOA-2U Boom Arm Extension w/Tilter
- 1-A-1 M-815PN Die-Cast Wing Bolt w/Pin
- 1-A-2 SX-6 Stop Lock
- 1-B BOA-2L Boom Arm w/Counter Weight
- 1-B-1 M-6N Die-Cast Wing Nut w/Washer
- 1-B-2 NB-5N Nylon Bushing
- 1-B-3 SN-635 Clamp Bolt w/Nylon Washer
- 1-B-4 DJ-50A Die-Cast Joint
- 1-B-5 SB-44 Allen Screw
- 1-B-6 SX-2 Stop Lock
- 1-B-7 BOW-2 Boom Weight w/Allen Screw
- 2 B-98A Boom Arm Assy. Complete (for B-955W)
- 2-A M-815PN Die-Cast Wing Bolt w/Pin
- 2-B SX-2 Stop Lock
- 2-C BOW-2 Boom Weight w/Allen Screw
- 3 TU-95A Upper Tube Assy. Complete
- 3-A BC-95A Boom Clamp Assy. Complete
- 3-A-1 M-8C Handle Nut w/Washer
- 3-A-2 SP-27 Spring
- 3-A-3 DC-236N Clamp Gear Link
- 3-A-4 BTL-95 Boom Pipe Bracket
- 4 CP-70A Center Tube Assy. Complete
- 4-A M-6N Die-Cast Wing Nut w/Washer
- 4-B NB-7N Nylon Bushing
- 4-C SN-635 Clamp Bolt w/Nylon Washer
- 4-D SB-44 Allen Screw
- 4-E DJ-70A Die-Cast Joint
- 5 BA-90BW Base Assy. Complete
- 5-A M-6N Die-Cast Wing Nut w/Washer
- 5-B NB-9N Nylon Bushing
- 5-C SN-640 Clamp Bolt w/Nylon Washer
- 5-D M-820N Die-Cast Wing Bolt
- 5-E R-24 Rubber Tip
- 5-F SB-44 Allen Screw
- 5-G DJ-90A Die-Cast Joint

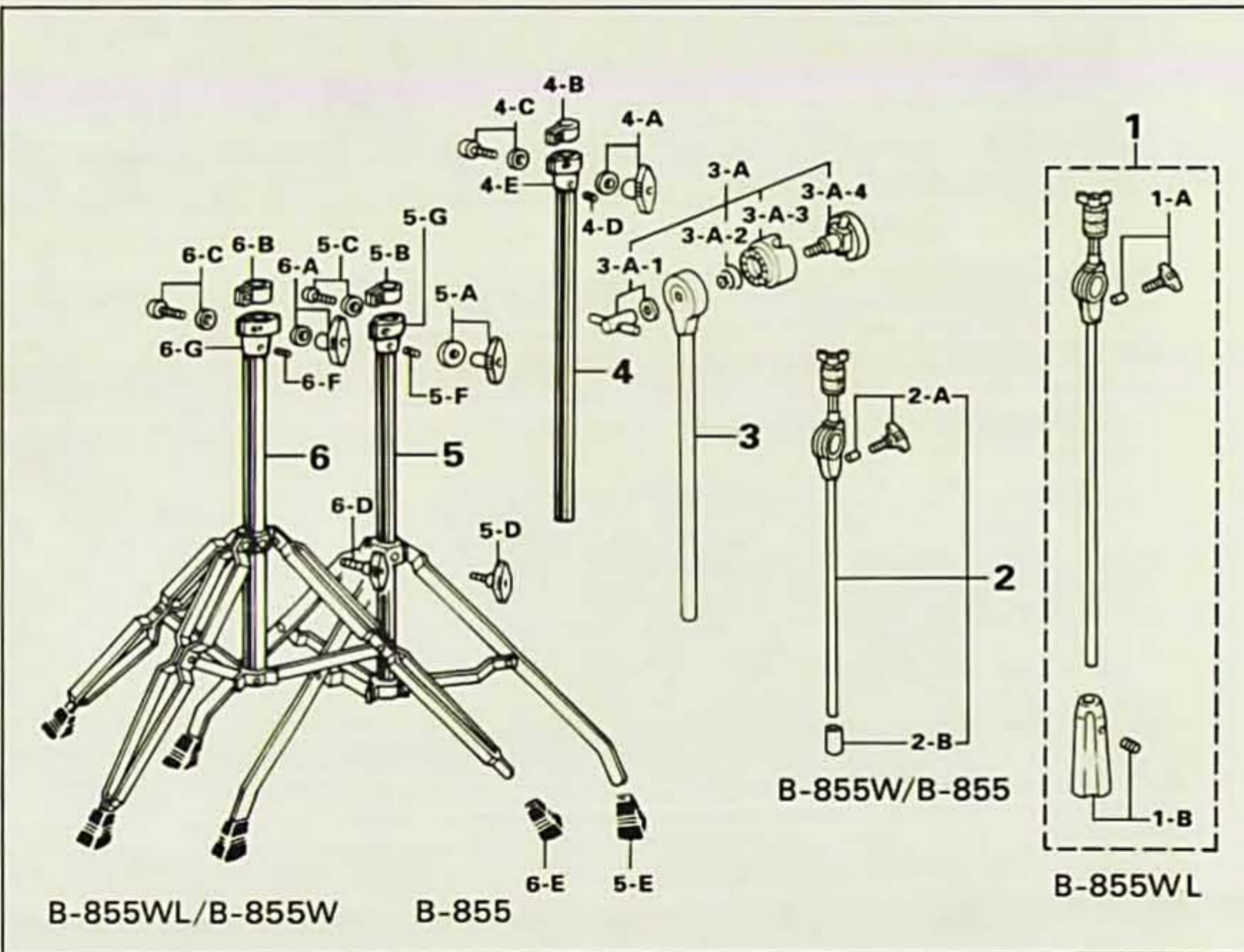
*Cymbal Tilter: TL-98
Please refer to Cymbal Tilter section.



B-855WL/B-855W/B-855 Cymbal Boom Stands

- 1 B-88L Boom Arm Assy. Complete (B-855WL)
- 1-A M-815PN Die-Cast Wing Bolt w/Pin
- 1-B BOW-3 Boom Weight w/Allen Screw
- 2 B-88S Boom Arm Assy. Complete (B-855W/B-855)
- 2-A M-815PN Die-Cast Wing Bolt w/Pin
- 2-B NP-71 Rubber Tip
- 3 TU-85A Upper Tube Assy. Complete
- 3-A BC-85A Boom Clamp Assy. Complete
- 3-A-1 M-8C Handle Nut w/Washer
- 3-A-2 SP-27 Spring
- 3-A-3 DC-127N Clamp Gear Link
- 3-A-4 BTL-85 Boom Pipe Bracket
- 4 CP-50A Center Tube Assy. Complete
- 4-A M-6N Die-Cast Wing Nut w/Washer
- 4-B NB-5N Nylon Bushing
- 4-C SN-635 Clamp Bolt w/Nylon Washer
- 4-D SB-44 Allen Screw
- 4-E DJ-50A Die-Cast Joint
- 5 BA-70BS Base Assy. Complete (B-855)
- 5-A M-6N Die-Cast Wing Nut w/Washer
- 5-B NB-7N Nylon Bushing
- 5-C SN-635 Clamp Bolt w/Nylon Washer
- 5-D M-820N Die-Cast Wing Bolt
- 5-E R-10 Rubber Tip
- 5-F SB-44 Allen Screw
- 5-G DJ-70A Die-Cast Joint
- 6 BA-70BW Base Assy. Complete (B-855WL/B-855W)
- 6-A M-6N Die-Cast Wing Nut w/Washer
- 6-B NB-7N Nylon Bushing
- 6-C SN-635 Clamp Bolt w/Nylon Washer
- 6-D M-820N Die-Cast Wing Bolt
- 6-E R-22 Rubber Tip
- 6-F SB-44 Allen Screw
- 6-G DJ-70A Die-Cast Joint

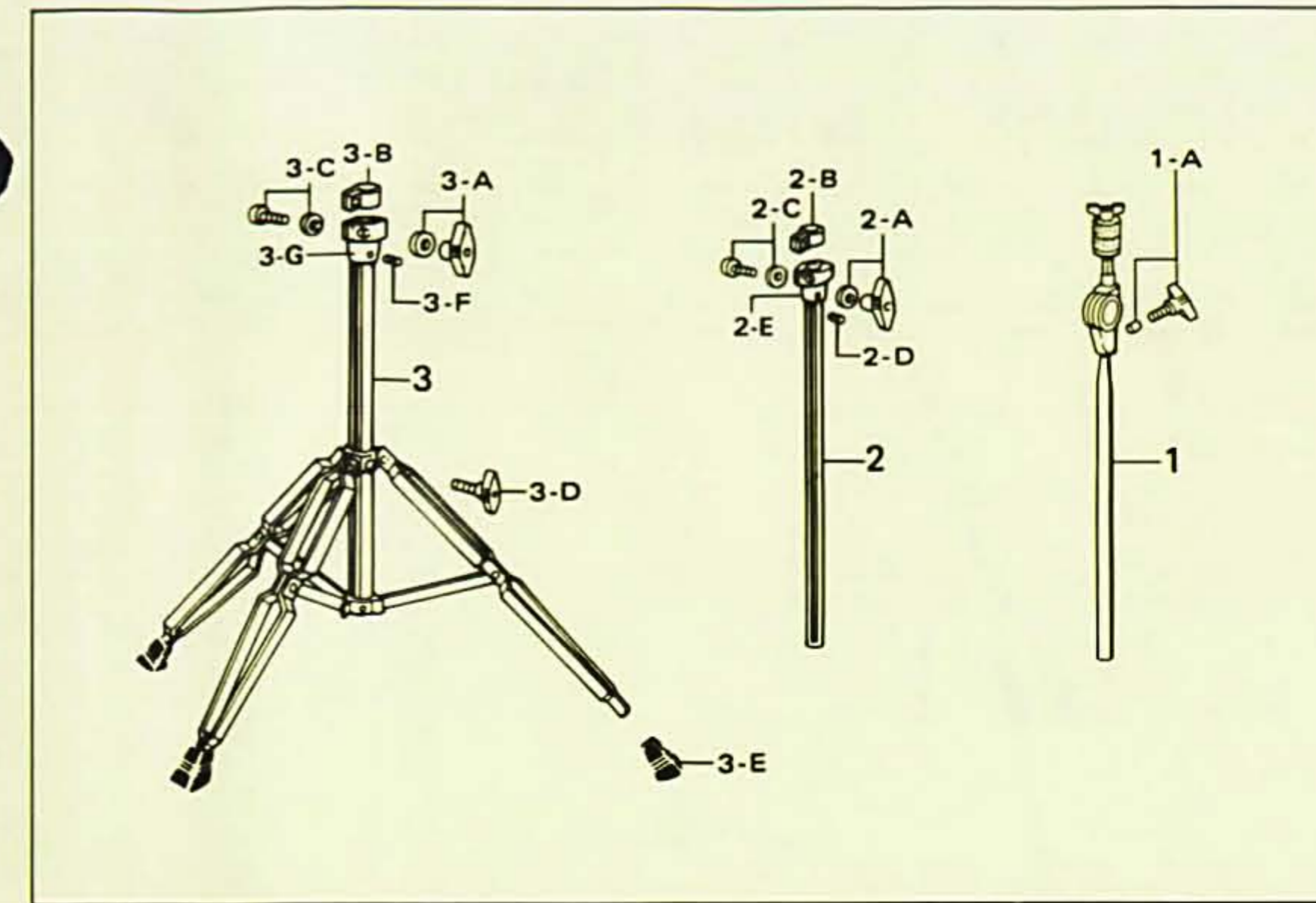
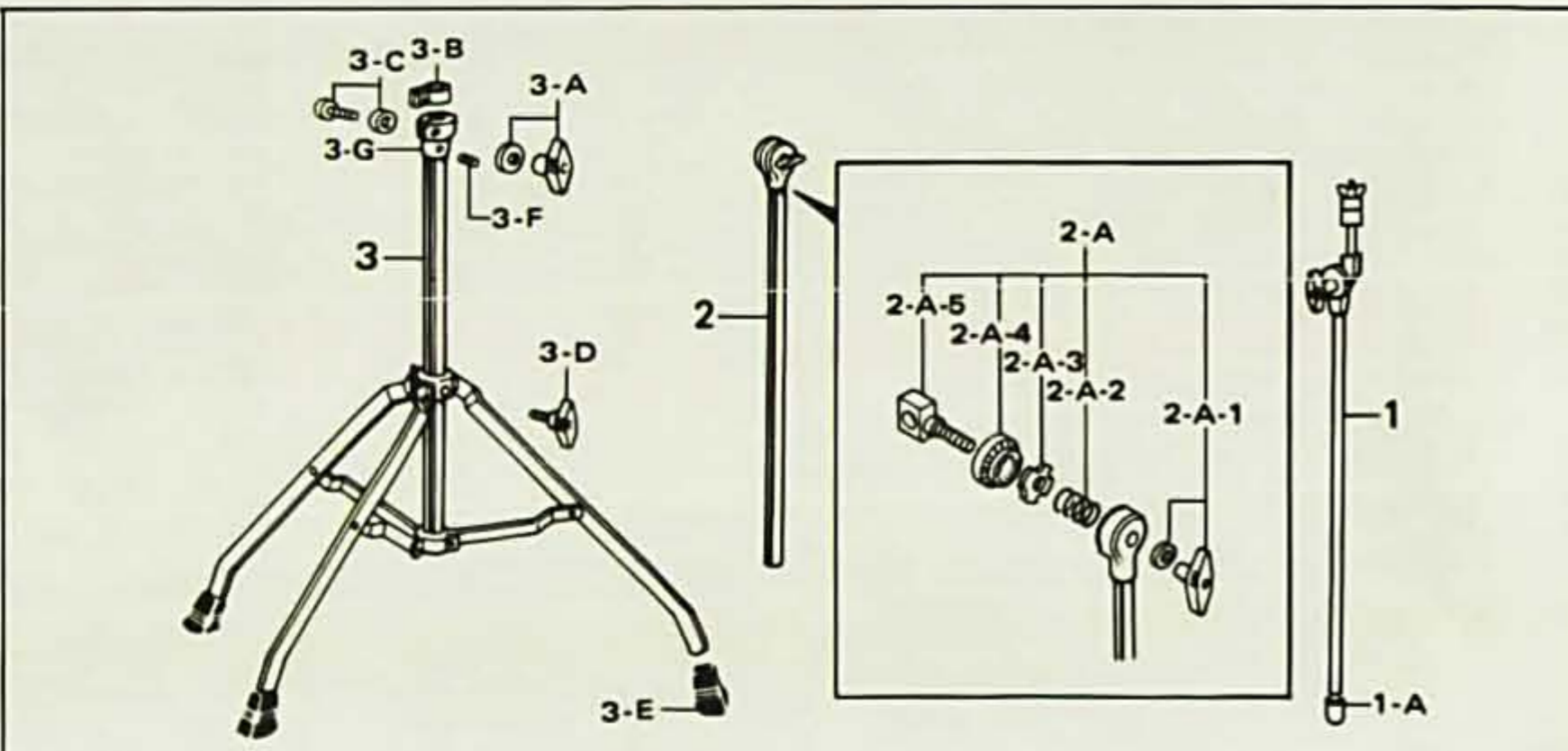
*Cymbal Tilter: TL-98
Please refer to Cymbal Tilter section.



B-750 Cymbal Boom Stand

- 1 B-75A Boom Arm Assy. Complete
- 1-A NP-72 Rubber Tip
- 2 B-75B Center Tube Assy. Complete
- 2-A BC-75AN Boom Clamp Assy. Complete
- 2-A-1 M-8BN Die-Cast Wing Nut w/Washer
- 2-A-2 SP-17 Spring
- 2-A-3 PR-115 Spring Plate
- 2-A-4 DC-58 Clamp Gear Link
- 2-A-5 ME-67 Boom Clamp Bolt
- 3 BA-50BS Base Assy. Complete
- 3-A M-6N Die-Cast Wing Nut w/Washer
- 3-B NB-5N Nylon Bushing
- 3-C SN-635 Clamp Bolt w/Nylon Washer
- 3-D M-815N Die-Cast Wing Bolt
- 3-E R-10 Rubber Tip
- 3-F SB-44 Allen Screw
- 3-G DJ-50A Die-Cast Joint

*Cymbal Tilter: TL-80
Please refer to Cymbal Tilter section.



C-955W Cymbal Stand

- 1 C-95AN Upper Tube Assy. Complete
- 1-A M-815PN Die-Cast Wing Bolt w/Pin
- 2 CP-70A Center Tube Assy. Complete
- 2-A M-6N Die-Cast Wing Nut w/Washer
- 2-B NB-7N Nylon Bushing
- 2-C SN-635 Clamp Bolt w/Nylon Washer
- 2-D SB-44 Allen Screw
- 2-E DJ-70A Die-Cast Joint
- 3 BA-90BW Base Assy. Complete
- 3-A M-6N Die-Cast Wing Nut w/Washer
- 3-B NB-9N Nylon Bushing
- 3-C SN-640 Clamp Bolt w/Nylon Washer
- 3-D M-820N Die-Cast Wing Bolt
- 3-E R-24 Rubber Tip
- 3-F SB-44 Allen Screw
- 3-G DJ-90A Die-Cast Joint

*Cymbal Tilter: TL-98
Please refer to Cymbal Tilter section.

C-855W/C-855 Cymbal Stands

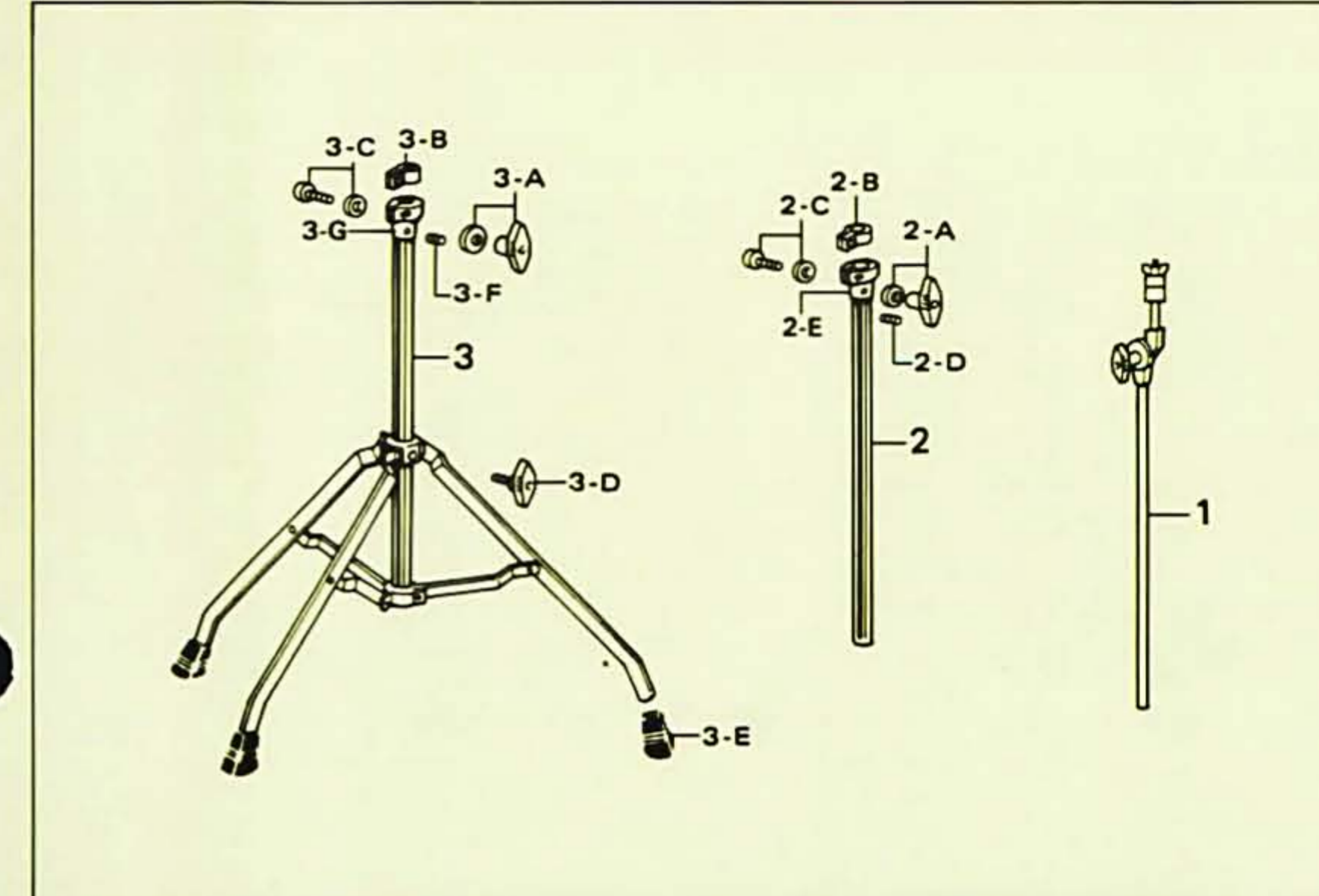
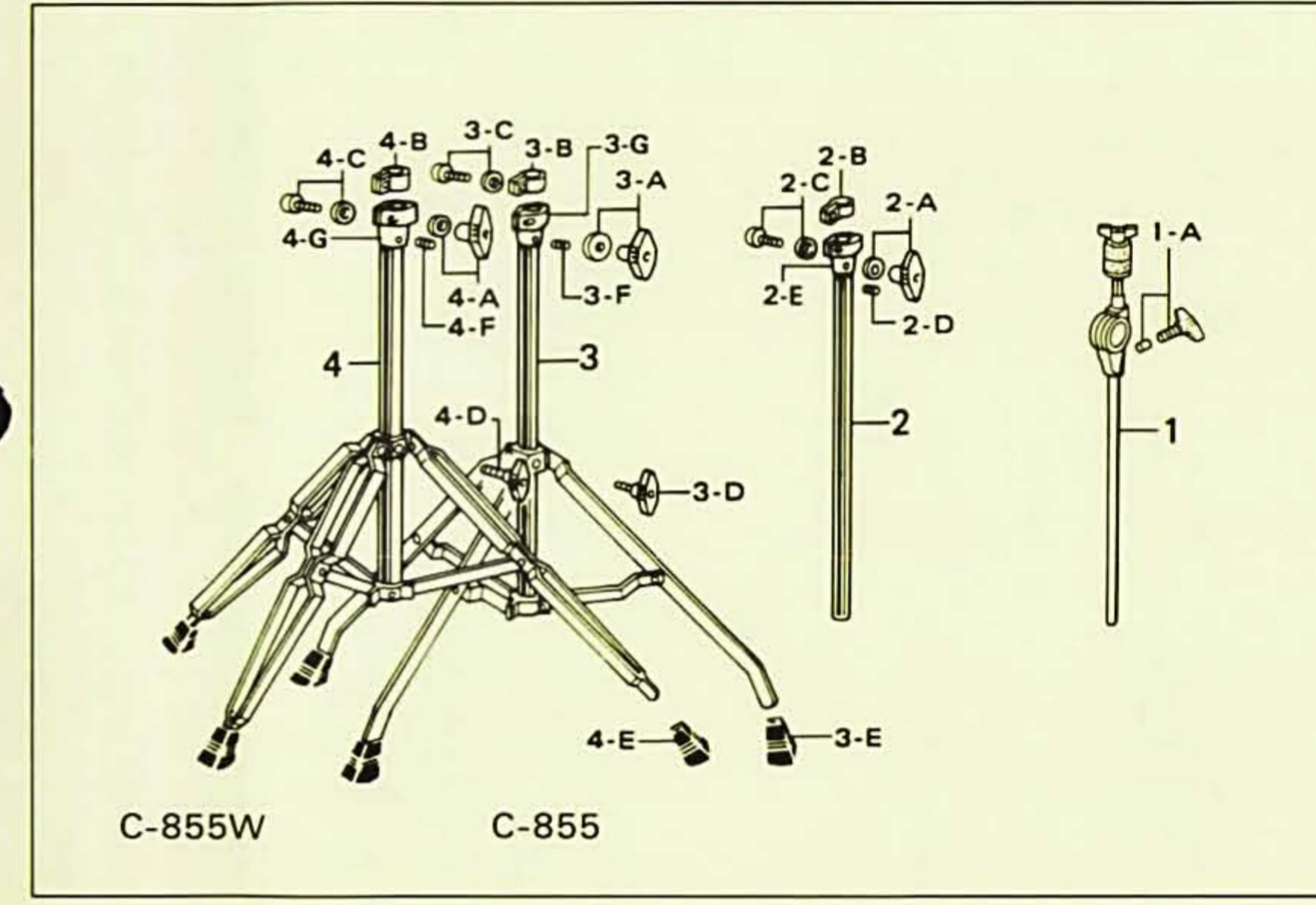
- 1 C-85AN Upper Tube Assy. Complete
- 1-A M-815PN Die-Cast Wing Bolt w/Pin
- 2 CP-50A Center Tube Assy. Complete
- 2-A M-6N Die-Cast Wing Nut w/Washer
- 2-B NB-5N Nylon Bushing
- 2-C SN-635 Clamp Bolt w/Nylon Washer
- 2-D SB-44 Allen Screw
- 2-E DJ-50A Die-Cast Joint
- 3 BA-70BS Base Assy. Complete (C-855)
- 3-A M-6N Die-Cast Wing Nut w/Washer
- 3-B NB-7N Nylon Bushing
- 3-C SN-635 Clamp Bolt w/Nylon Washer
- 3-D M-820N Die-Cast Wing Bolt
- 3-E R-10 Rubber Tip
- 3-F SB-44 Allen Screw
- 3-G DJ-70A Die-Cast Joint
- 4 BA-70BW Base Assy. Complete (C-855W)
- 4-A M-6N Die-Cast Wing Nut w/Washer
- 4-B NB-7N Nylon Bushing
- 4-C SN-635 Clamp Bolt w/Nylon Washer
- 4-D M-820N Die-Cast Wing Bolt
- 4-E R-22 Rubber Tip
- 4-F SB-44 Allen Screw
- 4-G DJ-70A Die-Cast Joint

*Cymbal Tilter: TL-98
Please refer to Cymbal Tilter section.

C-750 Cymbal Stand

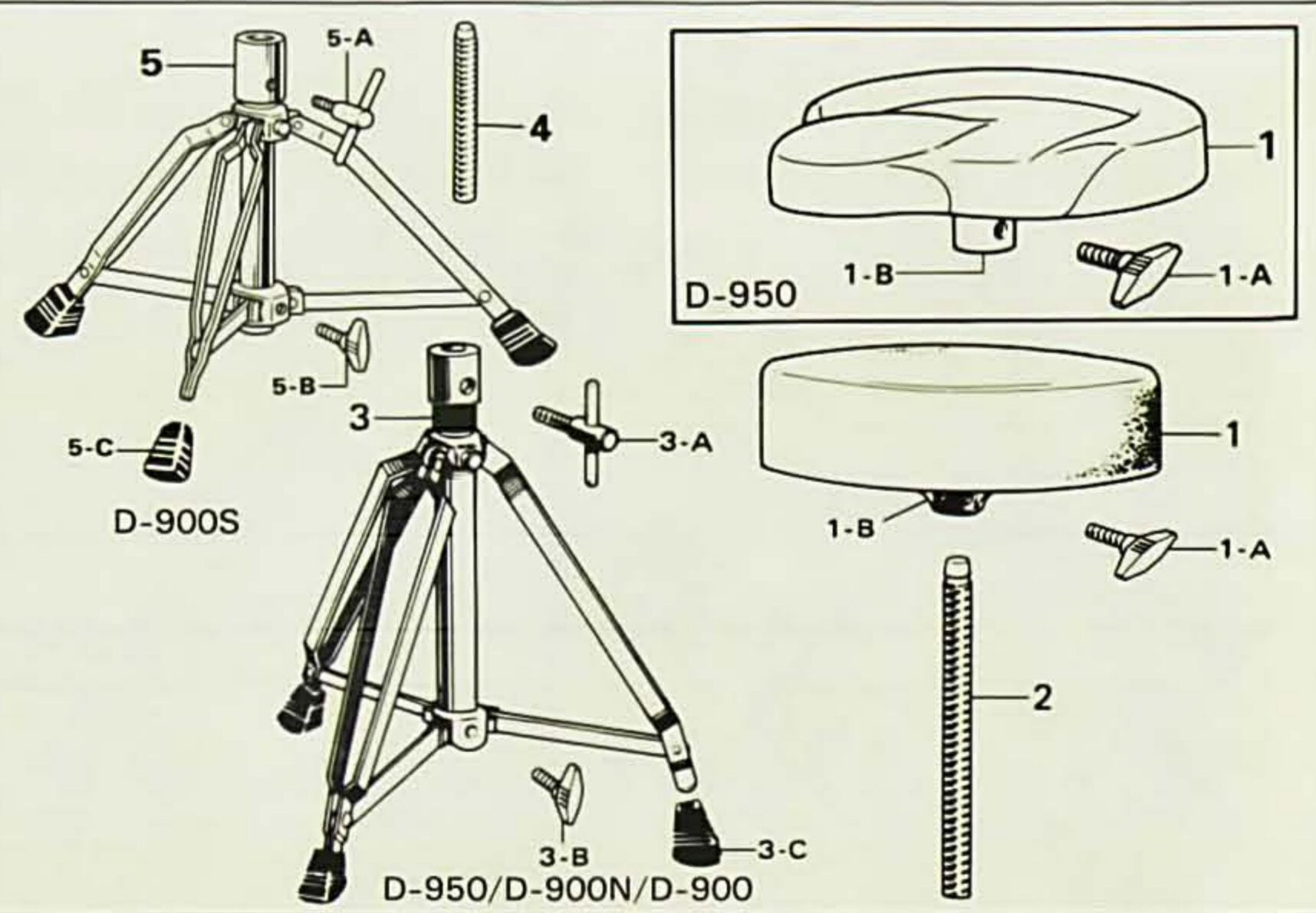
- 1 C-75A Upper Tube Assy. Complete
- 2 CP-40A Center Tube Assy. Complete
- 2-A M-6N Die-Cast Wing Nut w/Washer
- 2-B NB-4N Nylon Bushing
- 2-C SN-635 Clamp Bolt w/Nylon Washer
- 2-D SB-44 Allen Screw
- 2-E DJ-40A Die-Cast Joint
- 3 BA-50BS Base Assy. Complete
- 3-A M-6N Die-Cast Wing Nut w/Washer
- 3-B NB-5N Nylon Bushing
- 3-C SN-635 Clamp Bolt w/Nylon Washer
- 3-D M-815N Die-Cast Wing Bolt
- 3-E R-10 Rubber Tip
- 3-F SB-44 Allen Screw
- 3-G DJ-50A Die-Cast Joint

*Cymbal Tilter: TL-80
Please refer to Cymbal Tilter section.



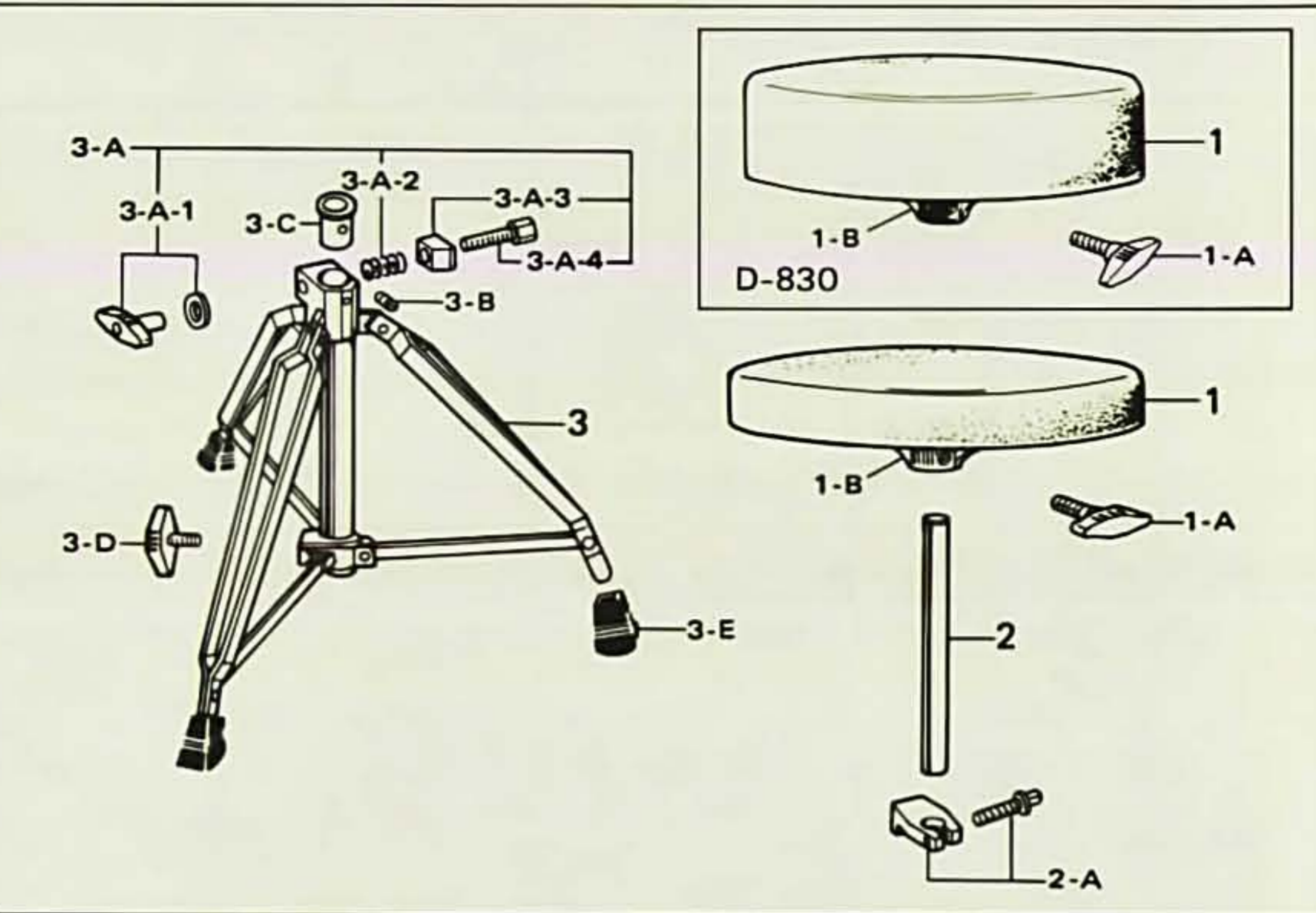
D-950/D-900N/D-900/D-900S Thrones

- 1 SE-95 Padded Vinyl Seat (D-950)
- SE-90A Padded Vinyl Seat (D-900N, D-900S)
- SE-90B Padded Cloth Seat (D-900)
- 1-A M-820N Die-Cast Wing Bolt
- 1-B DC-31C Rod Bracket (D-900N, D-900, D-900S)
- ROB-95 Rod Bracket (D-950)
- 2 ME-163 Height Adjustment Rod (D-950, D-900N, D-900)
- 3 D-90A Base Assy. Complete (D-950, D-900N, D-900)
- 3-A FF-1021 Handle Bolt
- 3-B M-820N Die-Cast Wing Bolt
- 3-C R-20 Rubber Tip
- 4 ME-163S Height Adjustment Rod (D-900S)
- 5 D-90SA Base Assy. Complete (D-900S)
- 5-A FF-1021 Handle Bolt
- 5-B M-820N Die-Cast Wing Bolt
- 5-C R-20 Rubber Tip



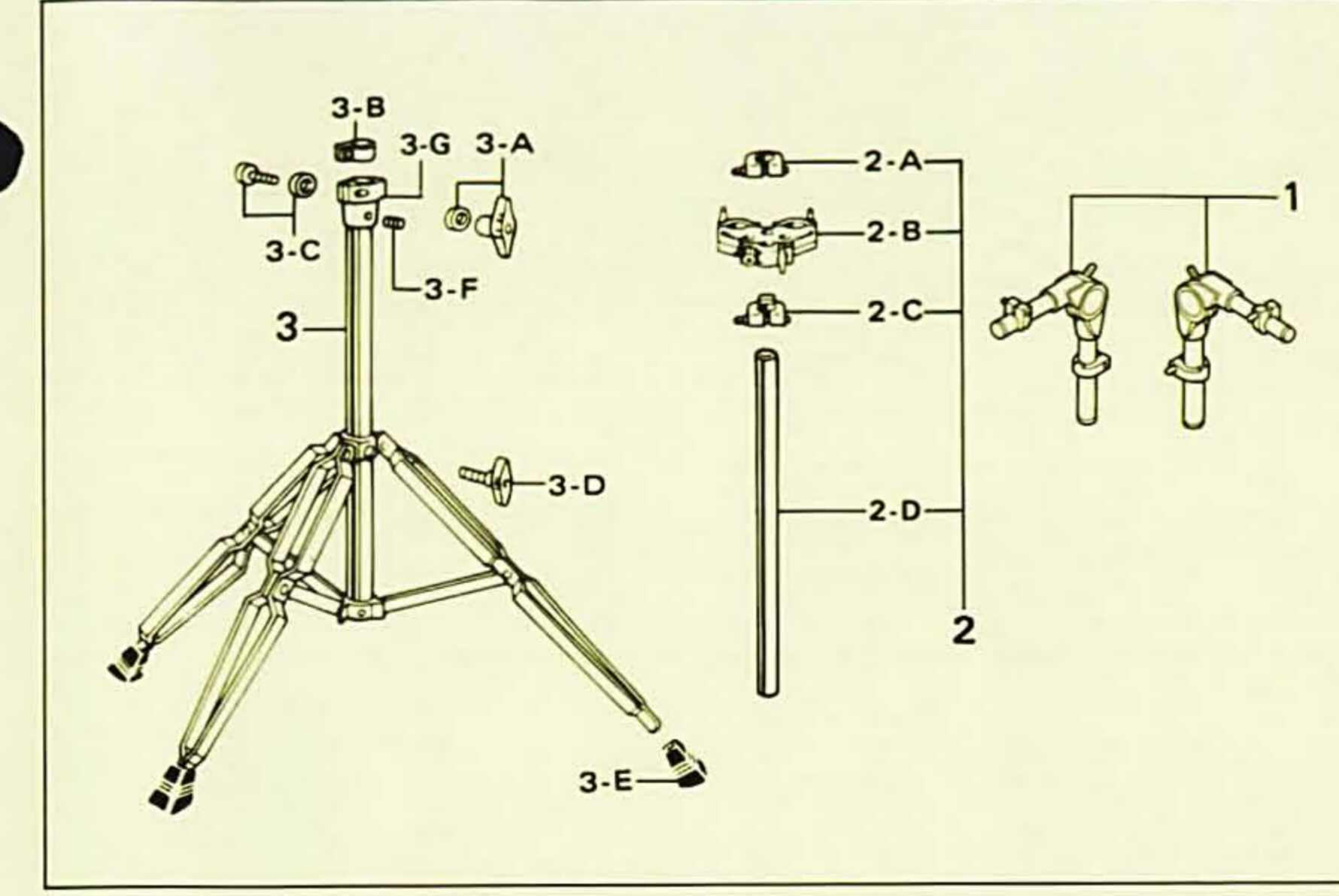
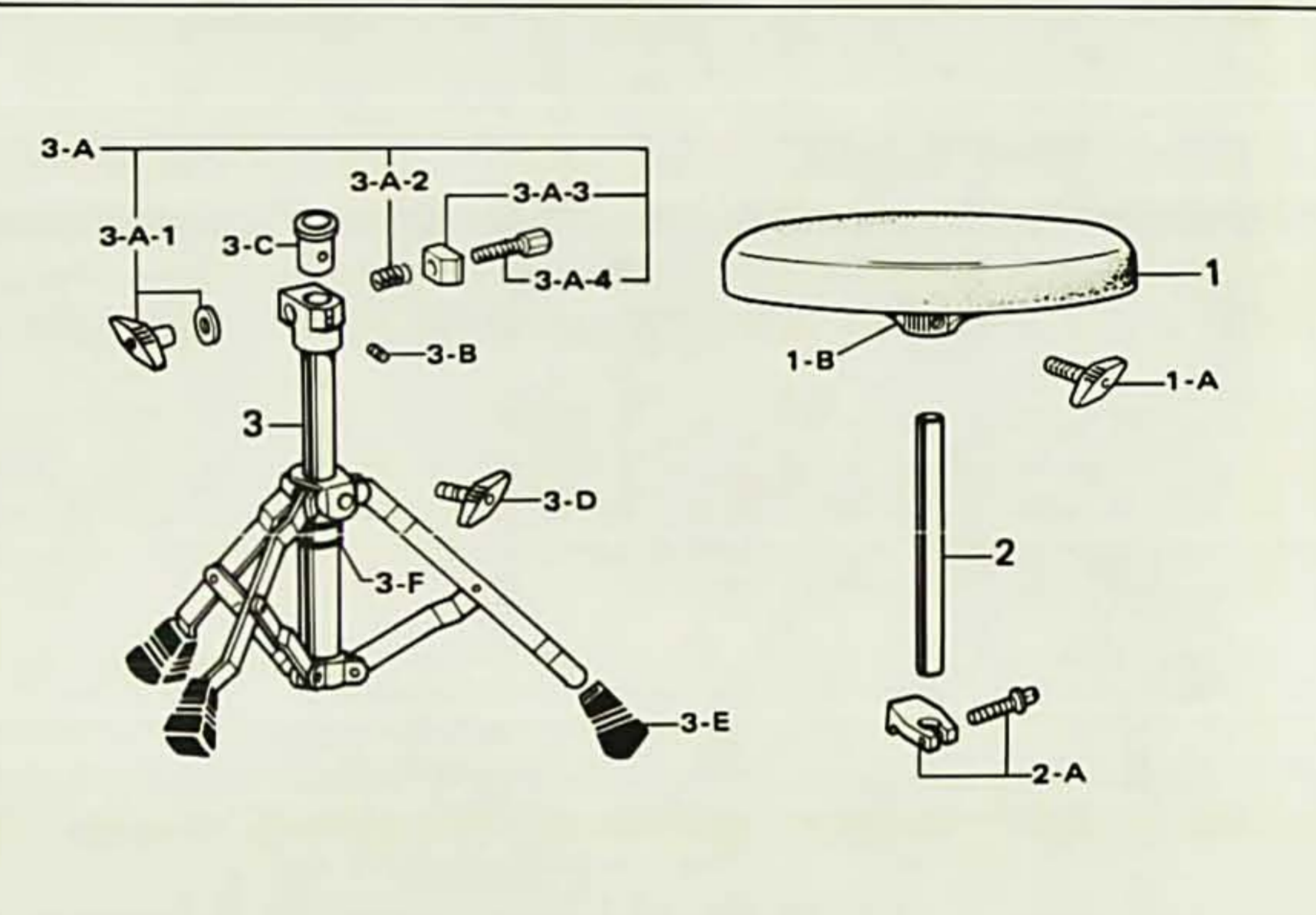
D-850/D-830 Thrones

- 1 SE-85A Padded Cloth Seat (D-850)
- SE-90A Padded Vinyl Seat (D-830)
- 1-A M-820N Die-Cast Wing Bolt
- 1-B DC-31C Rod Bracket
- 2 SF-85A Height Adjustment Rod
- 2-A SX-5 Stop Lock
- 3 D-85A Base Assy. Complete
- 3-A DW-85SN Bolt & Nut Assy. Complete
- 3-A-1 M-8BN Die-Cast Wing Nut w/Washer
- 3-A-2 SP-36 Spring
- 3-A-3 BS-1 Block Stopper
- 3-A-4 ME-198 Clamp Bolt
- 3-B SB-44 Allen Screw
- 3-C NP-83 Nylon Bushing
- 3-D M-820N Die-Cast Wing Bolt
- 3-E R-20 Rubber Tip



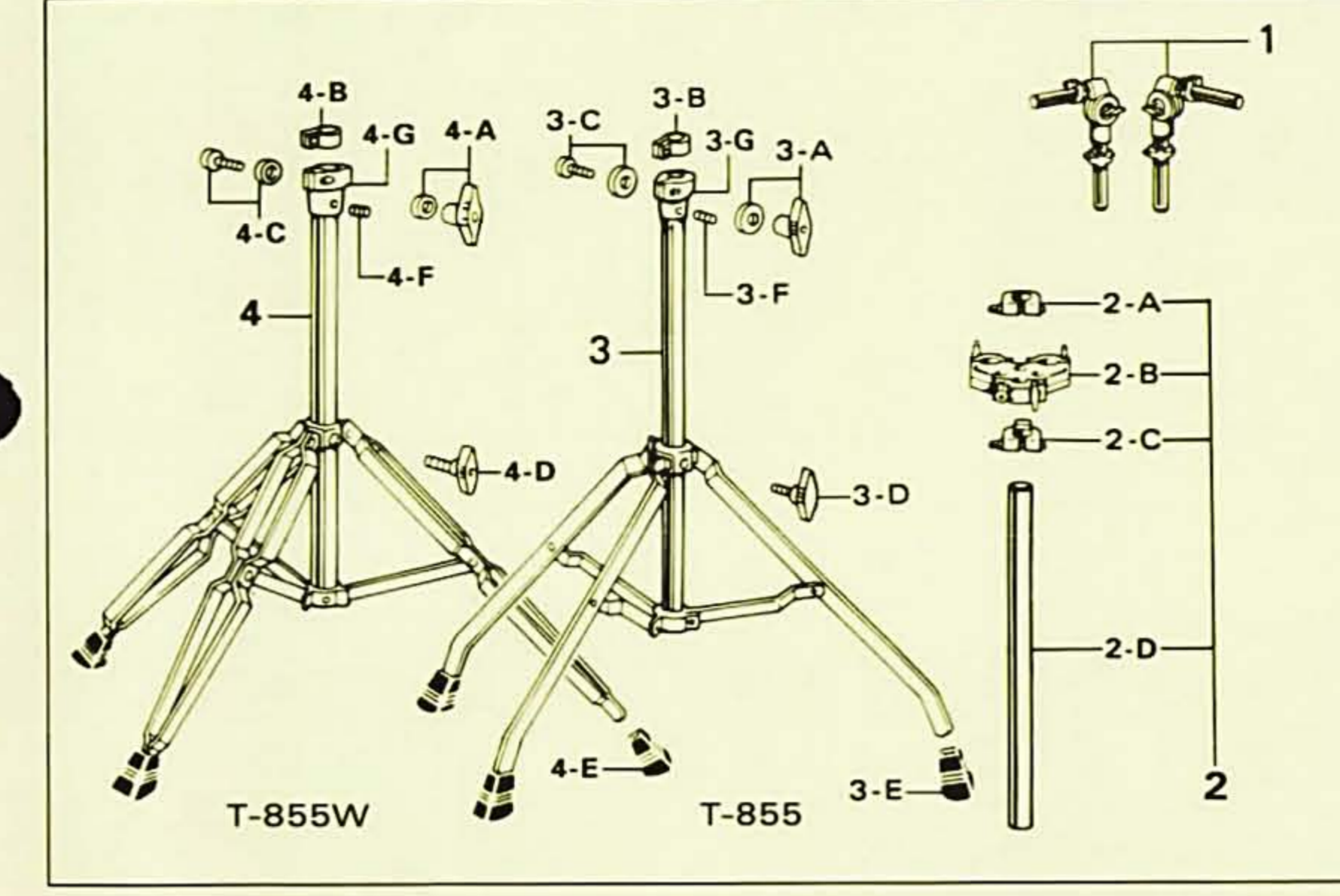
D-730 Throne

- 1 SE-73A Padded Seat
- 1-A M-820N Die-Cast Wing Bolt
- 1-B DC-31C Rod Bracket
- 2 SF-85A Height Adjustment Rod
- 2-A SX-5 Stop Lock
- 3 D-73A Base Assy. Complete
- 3-A DW-85SN Bolt & Nut Assy. Complete
- 3-A-1 M-8BN Die-Cast Wing Nut w/Washer
- 3-A-2 SP-36 Spring
- 3-A-3 BS-1 Block Stopper
- 3-A-4 ME-198 Clamp Bolt
- 3-B SB-44 Allen Screw
- 3-C NP-83 Nylon Bushing
- 3-D M-815N Die-Cast Wing Bolt
- 3-E R-10 Rubber Tip
- 3-F SX-7 Stop Lock



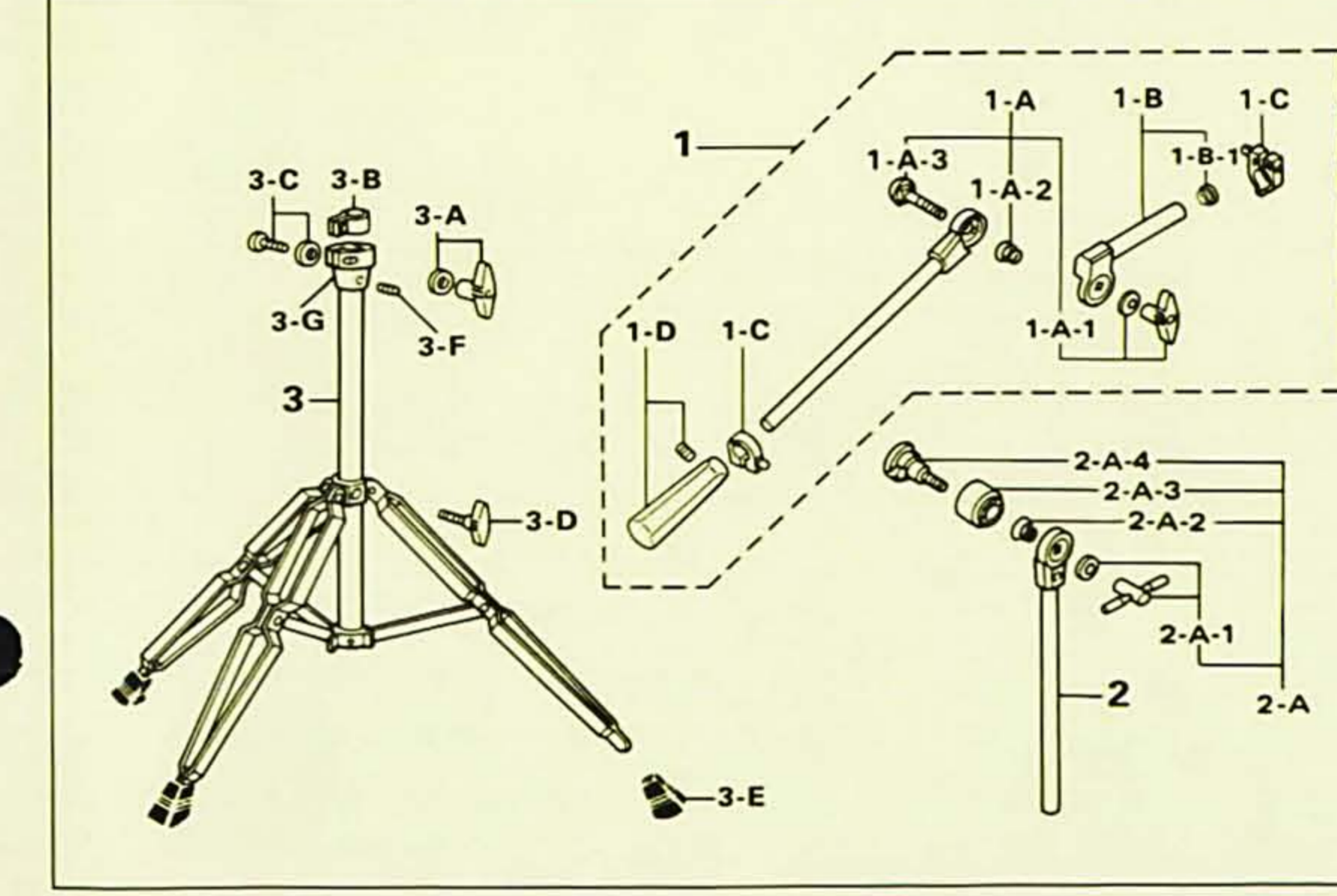
T-985W Twin Tom Stand

- 1 TH-98S Tom Holder/Short — Please refer to the TOM HOLDER section. —
- 2 T-98A Upper Tube Assy. Complete
- 2-A SX-2 Stop Lock
- 2-B AX-30 Adaptor — Please refer to the ADAPTOR section. —
- 2-C SX-3 Stop Lock
- 2-D TU-98T Upper Tube ONLY
- 3 BA-92BW Base Assy. Complete
- 3-A M-6N Die-Cast Wing Nut w/Washer
- 3-B NB-7N Nylon Bushing
- 3-C SN-635 Clamp Bolt w/Nylon Washer
- 3-D M-820N Die-Cast Wing Bolt
- 3-E R-22 Rubber Tip
- 3-F SB-44 Allen Screw
- 3-G DJ-70A Die-Cast Joint



T-855W/T-855 Twin Tom Stands

- 1 TH-86S Tom Holder/Short — Please refer to the TOM HOLDER section. —
- 2 T-98A Upper Tube Assy. Complete
- 2-A SX-2 Stop Lock
- 2-B AX-30 Adaptor — Please refer to the ADAPTOR section. —
- 2-C SX-3 Stop Lock
- 2-D TU-98T Upper Tube ONLY
- 3 BA-72BS Base Assy. Complete
- 3-A M-6N Die-Cast Wing Nut w/Washer
- 3-B NB-7N Nylon Bushing
- 3-C SN-635 Clamp Bolt w/Nylon Washer
- 3-D M-820N Die-Cast Wing Bolt
- 3-E R-10 Rubber Tip
- 3-F SB-44 Allen Screw
- 3-G DJ-70A Die-Cast Joint
- 4 BA-92BW Base Assy. Complete
- 4-A M-6N Die-Cast Wing Nut w/Washer
- 4-B NB-7N Nylon Bushing
- 4-C SN-635 Clamp Bolt w/Nylon Washer
- 4-D M-820N Die-Cast Wing Bolt
- 4-E R-22 Rubber Tip
- 4-F SB-44 Allen Screw
- 4-G DJ-70A Die-Cast Joint



T-855WB Boom Tom Stand

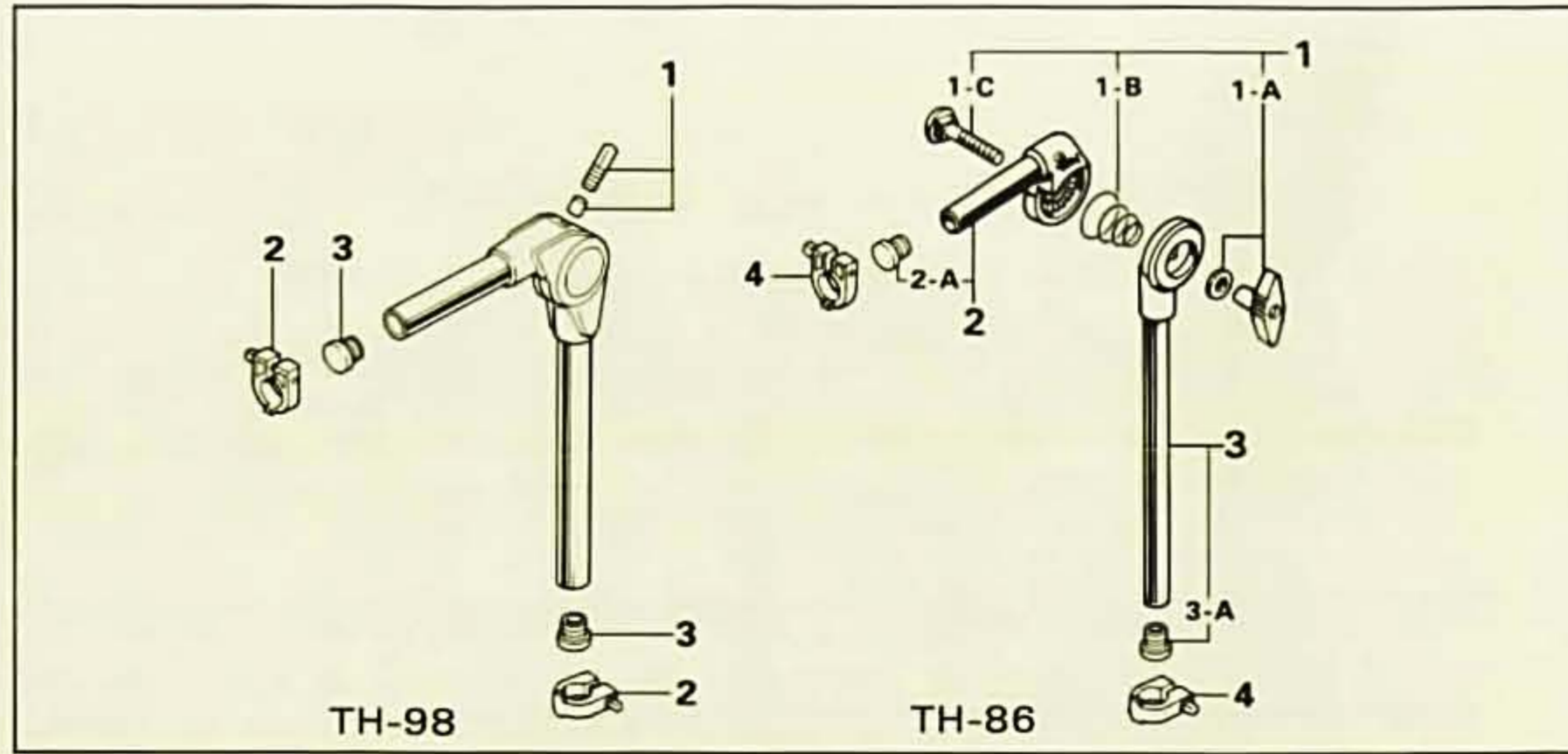
- 1 TH-85L Boom Arm Assy. Complete
- 1-A SN-85AN Bolt & Nut Set w/Spring
- 1-A-1 M-8AN Die-Cast Wing Nut w/Washer
- 1-A-2 SP-27 Spring
- 1-A-3 SC-36B Clamp Bolt
- 1-B TO-86A Tom Holder Arm
- 1-B-1 EC-5 Plastic End Cap
- 1-C SX-2 Stop Lock
- 1-D BOW-2 Boom Weight w/Allen Screw
- 2 TU-95A Upper Tube Assy. Complete
- 2-A BC-95A Boom Clamp Assy. Complete
- 2-A-1 M-8C Handle Nut w/Washer
- 2-A-2 SP-27 Spring
- 2-A-3 DC-236N Clamp Gear Link
- 2-A-4 BTL-95 Boom Pipe Bracket
- 3 BA-92BW Base Assy. Complete
- 3-A M-6N Die-Cast Wing Nut w/Washer
- 3-B NB-7N Nylon Bushing
- 3-C SN-635 Clamp Bolt w/Nylon Washer
- 3-D M-820N Die-Cast Wing Bolt
- 3-E R-22 Rubber Tip
- 3-F SB-44 Allen Screw
- 3-G DJ-70A Die-Cast Joint

TH-98/TH-98S Tom Holder Arms

- 1 KB-821P Key Bolt w/Pin
- 2 SX-2 Stop Lock
- 3 EC-5 Plastic End Cap

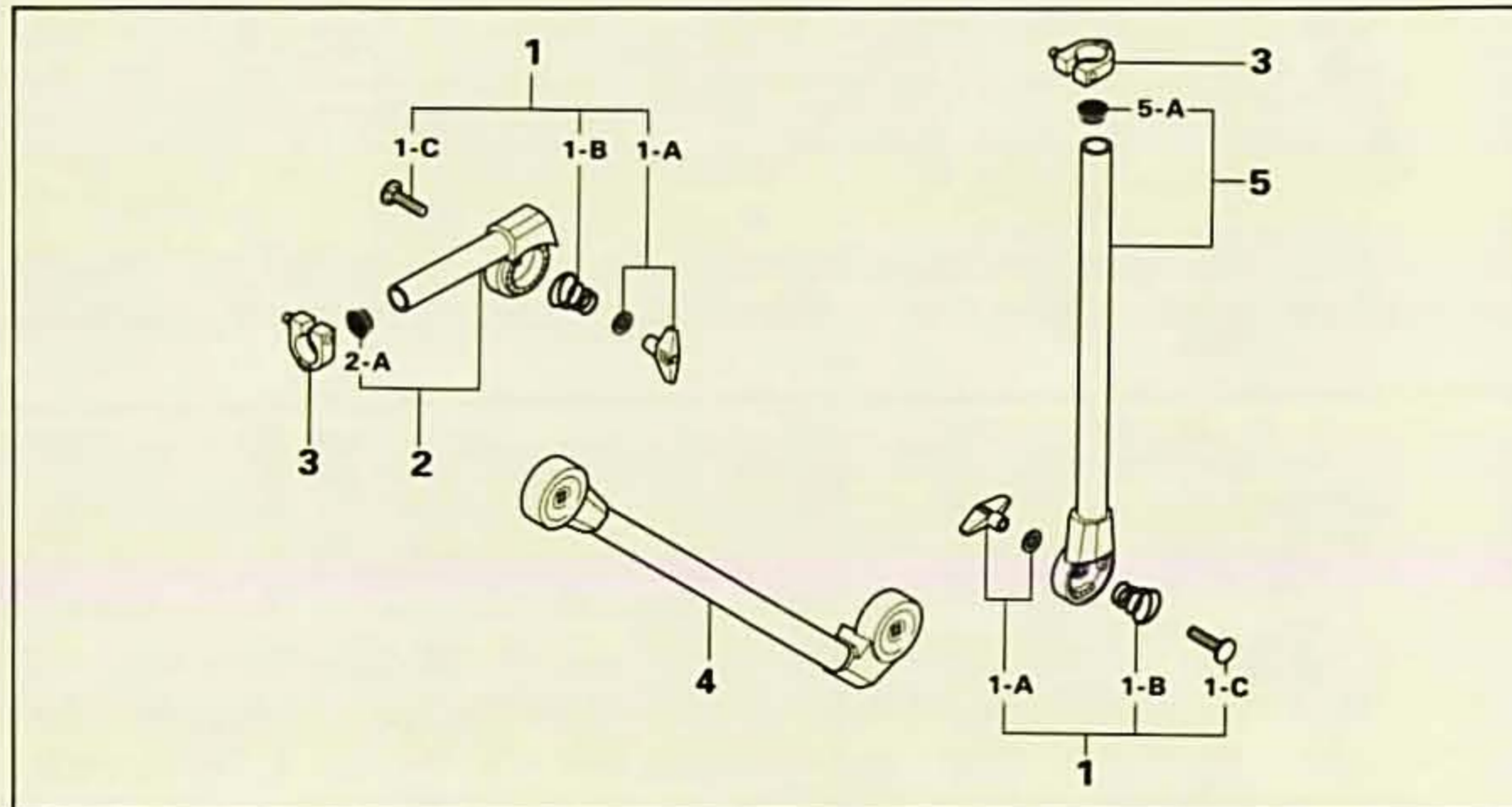
TH-86/TH-86S Tom Holder Arms

- 1 SN-85AN Bolt & Nut Set w/Spring
- 1-A M-8AN Die-Cast Wing Nut w/Washer
- 1-B SP-27 Spring
- 1-C SC-36B Clamp Bolt
- 2 TO-86A Tom Holder Arm
- 2-A EC-5 Plastic End Cap
- 3 TO-86B Base Tube (TH-86)
- TO-86C Base Tube (TH-86S)
- 3-A EC-5 Plastic End Cap
- 4 SX-2 Stop Lock



AJ-96 Arm Joint

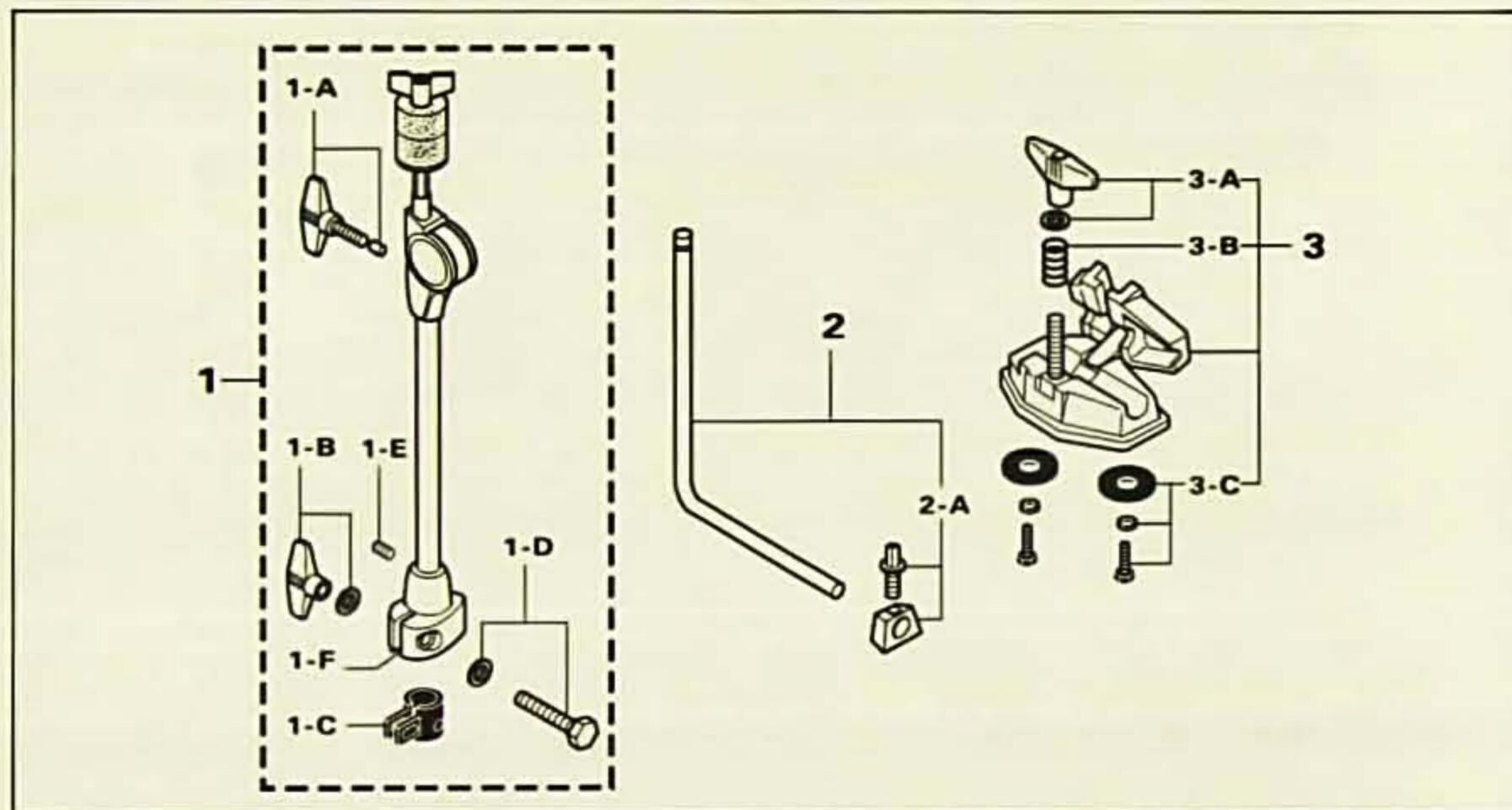
- 1 SN-85AN Bolt & Nut Set w/Spring
- 1-A M-8AN Die-Cast Wing Nut w/Washer
- 1-B SP-27 Spring
- 1-C SC-36B Clamp Bolt
- 2 TO-86A Tom Holder Arm
- 2-A EC-5 Plastic End Cap
- 3 SX-2 Stop Lock
- 4 AJ-95 Arm Joint
- 5 TO-86B Base Tube
- 5-A EC-5 Plastic End Cap



CHB-88 Cymbal Holder

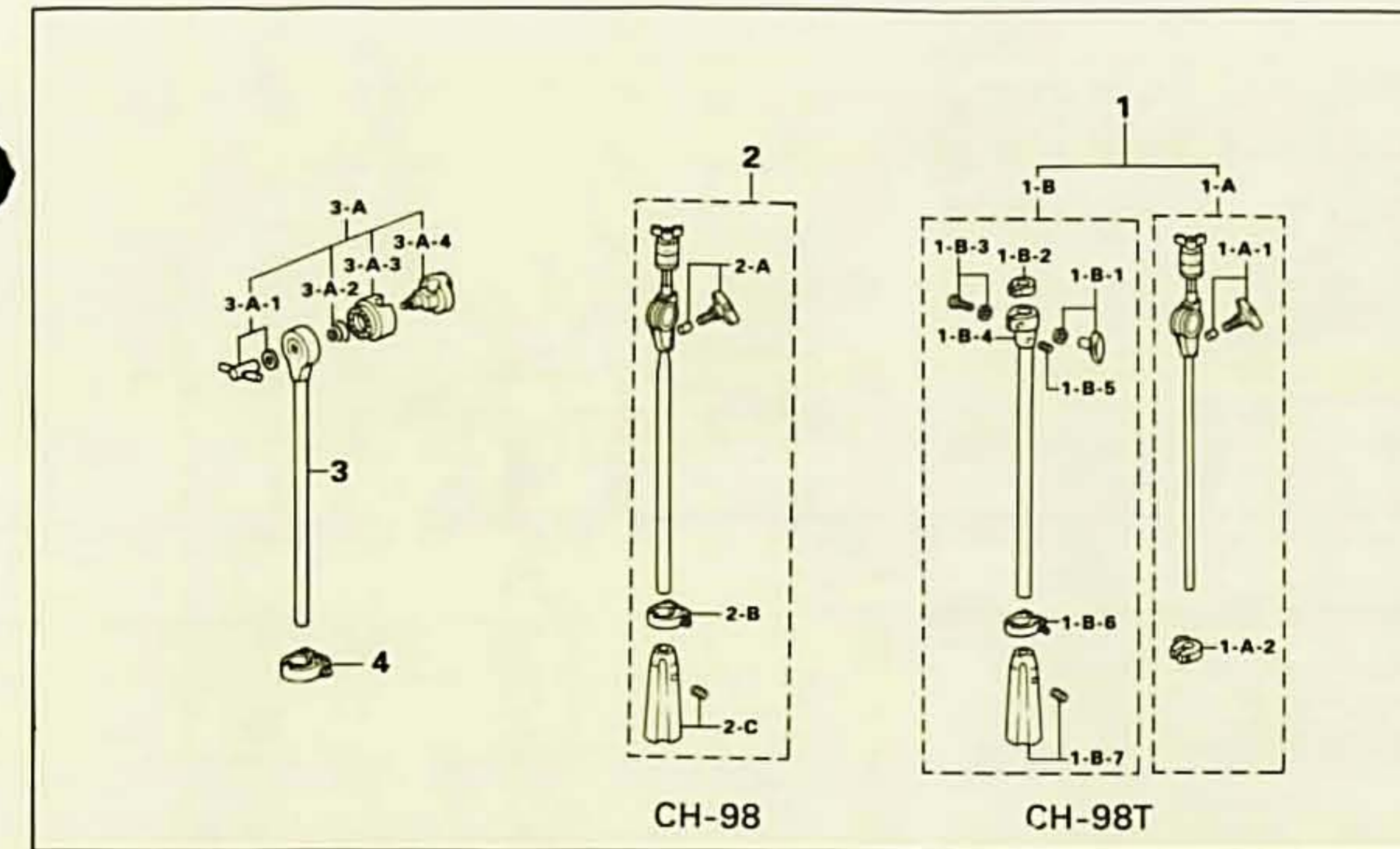
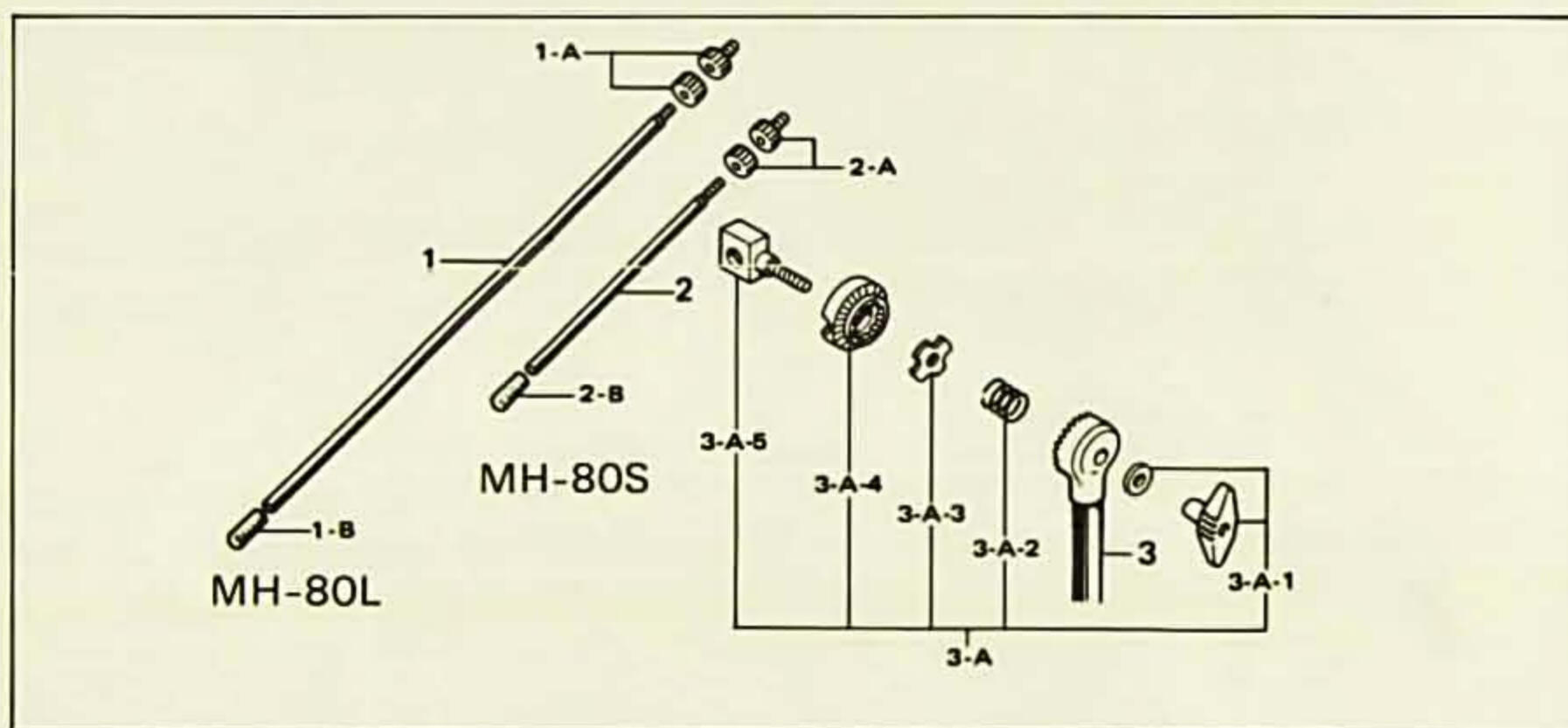
- 1 CB-88A Upper Tube Assy. Complete
- 1-A M-815PN Die-Cast Wing Bolt w/Pin
- 1-B M-6N Die-Cast Wing Nut w/Washer
- 1-C NB-4N Nylon Bushing
- 1-D SN-635 Clamp Bolt w/Nylon Washer
- 1-E SB-44 Allen Screw
- 1-F DJ-40A Die-Cast Joint
- 2 ME-330N L Rod Assy.
- 2-A LG-30S Stop Lock w/Key Bolt
- 3 LB-30 Base Assy. Complete
- 3-A M-6N Die-Cast Wing Nut w/Washer
- 3-B SP-33 Spring
- 3-C LBS-2S Mounting Screw w/Washers (one each)

*Cymbal Tilter: TL-98
Please refer to Cymbal Tilter section.



MH-80L/MH-80S Microphone Holders

- 1 MHP-1L Boom Arm Assy. Complete (MH-80L)
- 1-A MHA-1D Adaptor
- 1-B NP-72 Rubber Tip
- 2 MHP-1S Boom Arm Assy. Complete (MH-80S)
- 2-A MHA-1D Adaptor
- 2-B NP-72 Rubber Tip
- 3 MHP-1A Tube Assy. Complete
- 3-A BC-75AN Boom Clamp Assy. Complete
- 3-A-1 M-8BN Die-Cast Wing Nut w/Washer
- 3-A-2 SP-17 Spring
- 3-A-3 PR-115 Spring Plate
- 3-A-4 DC-58 Clamp Gear Link
- 3-A-5 ME-67 Boom Clamp Bolt



CH-98T/CH-98 Cymbal Holders

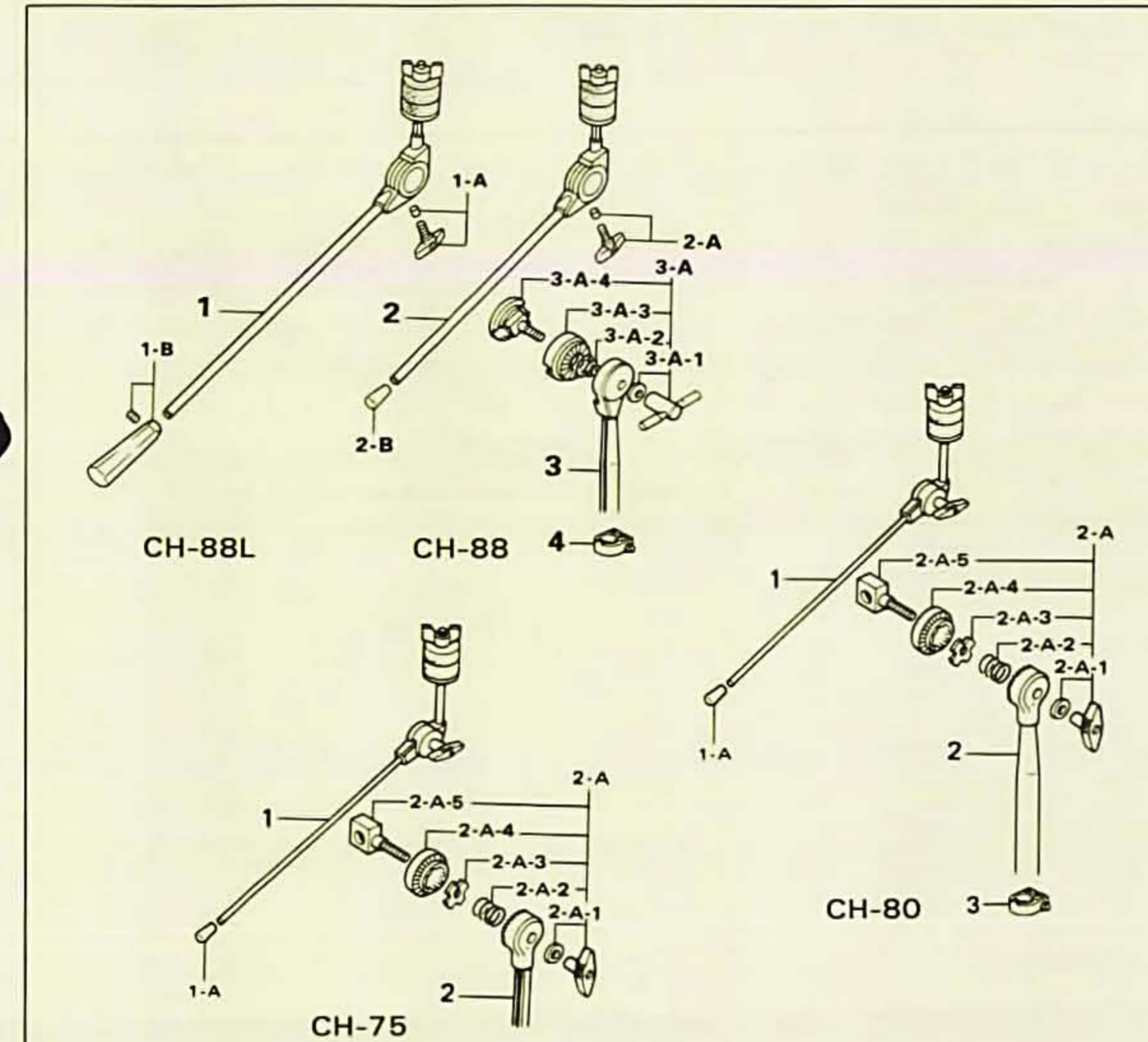
- 1 B-98TA Boom Arm Assy. Complete (CH-98T)
- 1-A BOA-2U Boom Arm Extension w/Tilter
- 1-A-1 M-815PN Die-Cast Wing Bolt w/Pin
- 1-A-2 SX-6 Stop Lock
- 1-B BOA-2L Boom Arm w/Counter Weight
- 1-B-1 M-6N Die-Cast Wing Nut w/Washer
- 1-B-2 NB-5N Nylon Bushing
- 1-B-3 SN-635 Clamp Bolt w/Nylon Washer
- 1-B-4 DJ-50A Die-Cast Joint
- 1-B-5 SB-44 Allen Screw
- 1-B-6 SX-2 Stop Lock
- 1-B-7 BOW-2 Boom Weight w/Allen Screw
- 2 B-98A Boom Arm Assy. Complete (CH-98)
- 2-A M-815PN Die-Cast Wing Bolt w/Pin
- 2-B SX-2 Stop Lock
- 2-C BOW-2 Boom Weight w/Allen Screw
- 3 TU-95A Upper Tube Assy.
- 3-A BC-95A Boom Clamp Assy. Complete
- 3-A-1 M-8C Handle Nut w/Washer
- 3-A-2 SP-27 Spring
- 3-A-3 DC-236N Clamp Gear Link
- 3-A-4 BTL-95 Boom Pipe Bracket
- 4 SX-2 Stop Lock

*Cymbal Tilter: TL-98
Please refer to Cymbal Tilter section.

CH-88L/CH-88 Cymbal Holders

- 1 B-88L Boom Arm Assy. Complete (CH-88L)
- 1-A M-815PN Die-Cast Wing Bolt w/Pin
- 1-B BOW-3 Boom Weight w/Allen Screw
- 2 B-88S Boom Arm Assy. Complete (CH-88)
- 2-A M-815PN Die-Cast Wing Bolt w/Pin
- 2-B NP-71 Rubber Tip
- 3 TU-75A Tube Assy. Complete
- 3-A BC-85A Boom Clamp Assy. Complete
- 3-A-1 M-8C Handle Nut w/Washer
- 3-A-2 SP-27 Spring
- 3-A-3 DC-127N Clamp Gear Link
- 3-A-4 BTL-85 Boom Pipe Bracket
- 4 SX-2 Stop Lock

*Cymbal Tilter: TL-98
Please refer to Cymbal Tilter section.



CH-80 Cymbal Holder

- 1 B-75A Boom Arm Assy. Complete
- 1-A NP-72 Rubber Tip
- 2 TU-70A Tube Assy. Complete
- 2-A BC-75AN Boom Clamp Assy. Complete
- 2-A-1 M-8BN Die-Cast Wing Nut w/Washer
- 2-A-2 SP-17 Spring
- 2-A-3 PR-115 Spring Plate
- 2-A-4 DC-58 Clamp Gear Link
- 2-A-5 ME-67 Boom Clamp Bolt
- 3 SX-2 Stop Lock

*Cymbal Tilter: TL-80
Please refer to Cymbal Tilter section.

CH-75 Cymbal Holder

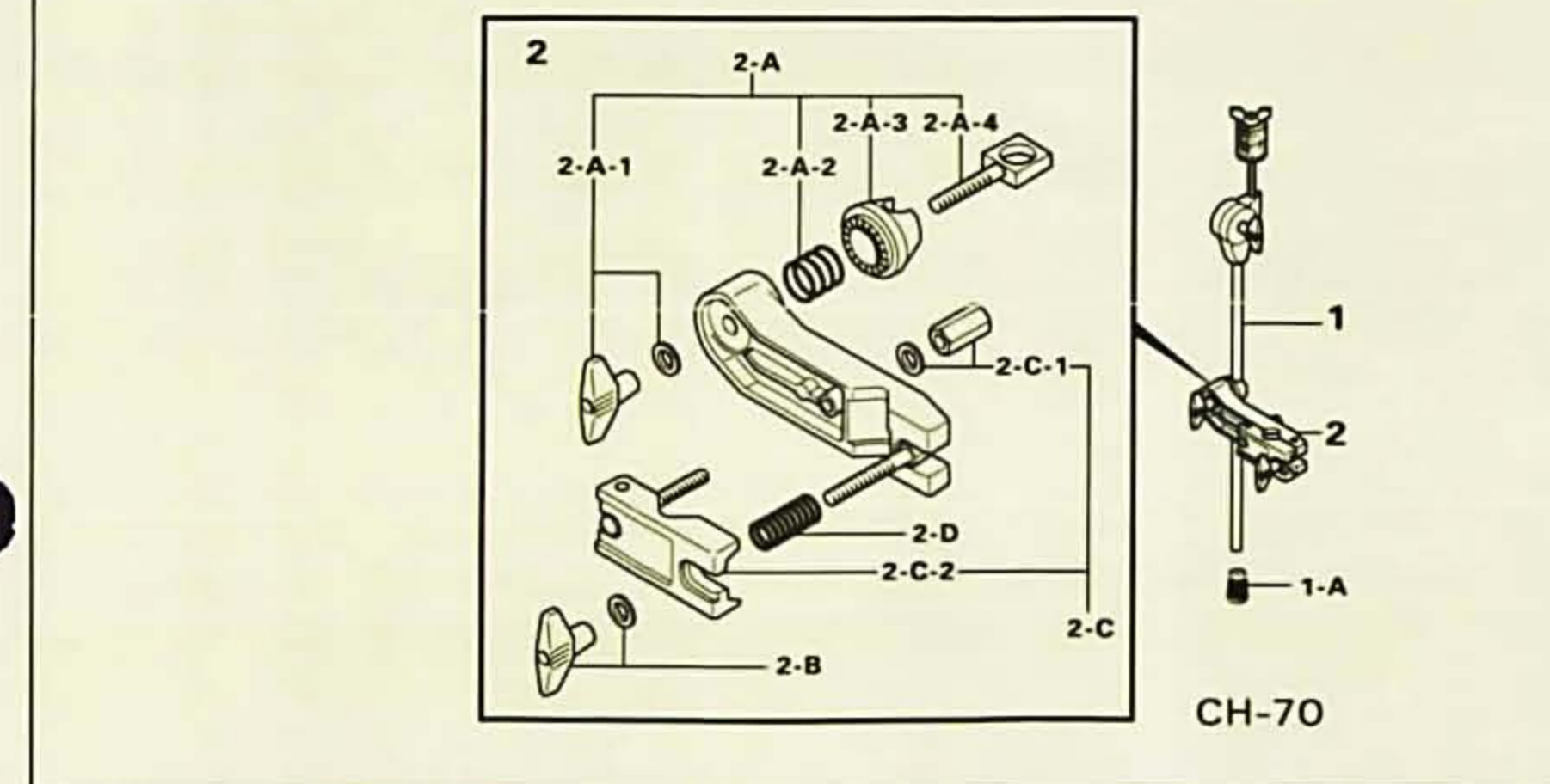
- 1 B-75A Boom Arm Assy. Complete
- 1-A NP-72 Rubber Tip
- 2 TU-65A Tube Assy. Complete
- 2-A BC-75AN Boom Clamp Assy. Complete
- 2-A-1 M-8BN Die-Cast Wing Nut w/Washer
- 2-A-2 SP-17 Spring
- 2-A-3 PR-115 Spring Plate
- 2-A-4 DC-58 Clamp Gear Link
- 2-A-5 ME-67 Boom Clamp Bolt

*Cymbal Tilter: TL-80
Please refer to Cymbal Tilter section.

CH-70 Cymbal Holder

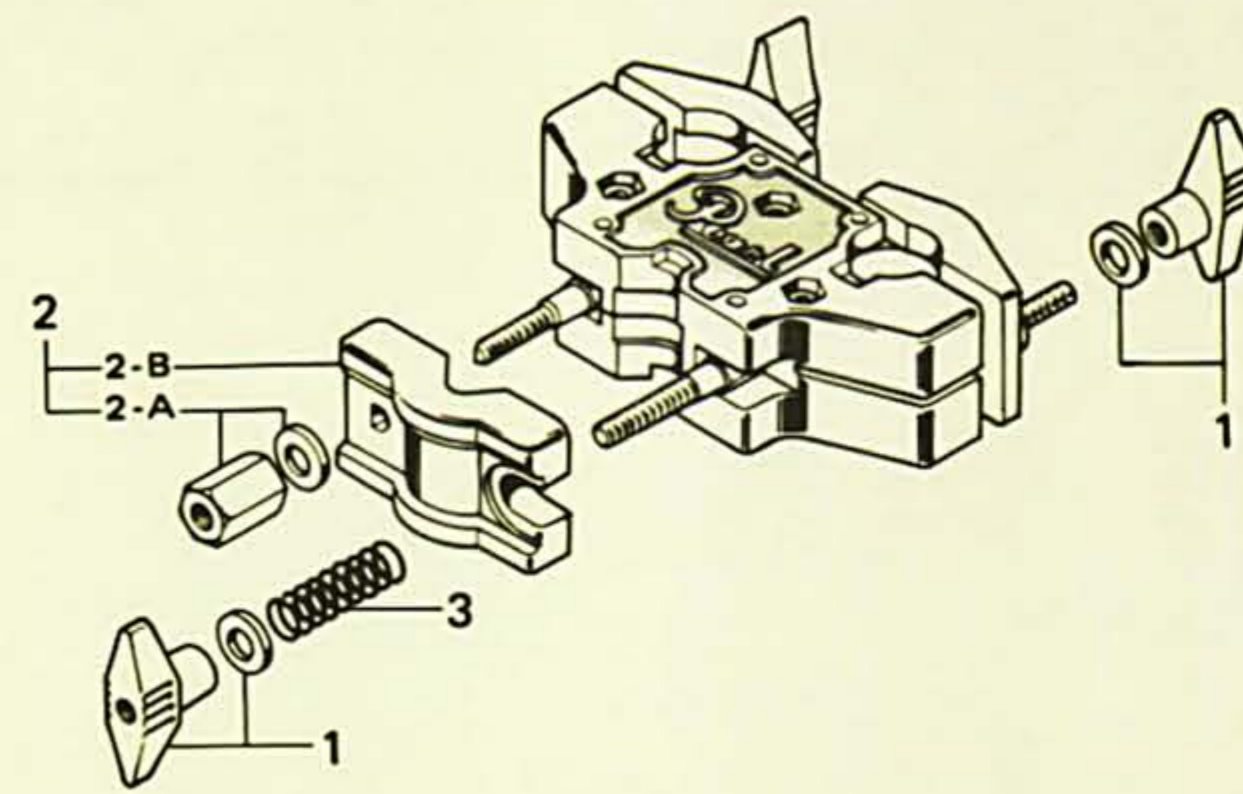
- 1 B-75A Boom Arm Assy. Complete
- 1-A NP-72 Rubber Tip
- 2 CA-70A Tube Assy. Complete
- 2-A BC-70AN Boom Clamp Assy. Complete
- 2-A-1 M-8BN Die-Cast Wing Nut w/Washer
- 2-A-2 SP-032 Spring
- 2-A-3 DC-335 Clamp Gear Link
- 2-A-4 ME-67 Boom Clamp Bolt
- 2-B M-8AN Die-Cast Wing Nut w/Washer
- 2-C AX-2DS Die-Cast Link w/Swivel Bolt, Hexagonal Nut & Washer
- 2-C-1 M-8SW Hexagonal Nut w/Washer
- 2-C-2 DS-20B Die-Cast Link w/Swivel Bolt
- 2-D SP-26 Spring

*Cymbal Tilter: TL-80
Please refer to Cymbal Tilter section.



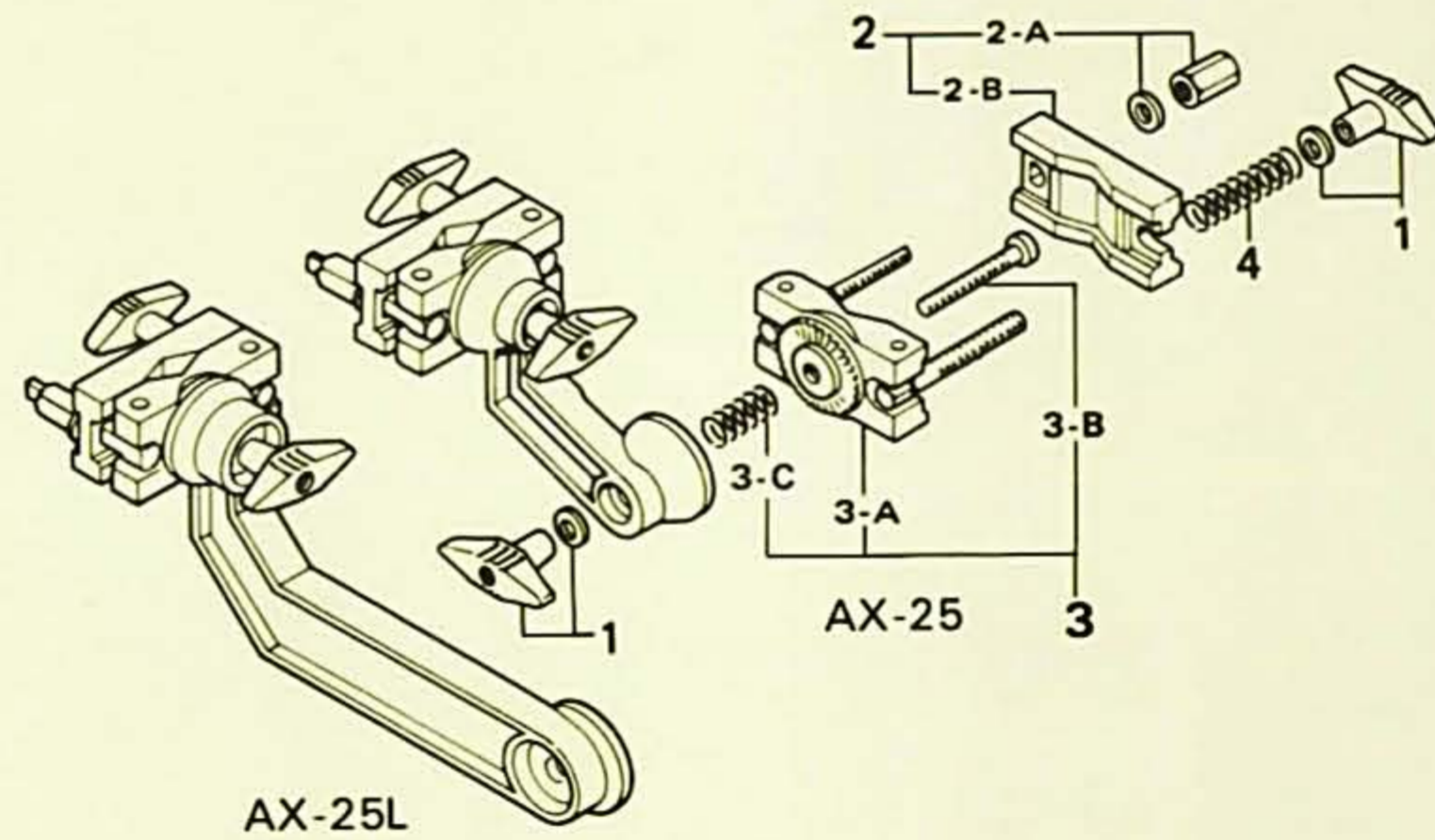
AX-30 Adaptor

- | | | |
|-----|--------|--|
| 1 | M-8AN | Die-Cast Wing Nut w/Washer |
| 2 | AX-3DS | Die-Cast Link w/Hexagonal Nut & Washer |
| 2-A | M-8SW | Hexagonal Nut w/Washer |
| 2-B | DC-137 | Die-Cast Link |
| 3 | SP-26 | Spring |



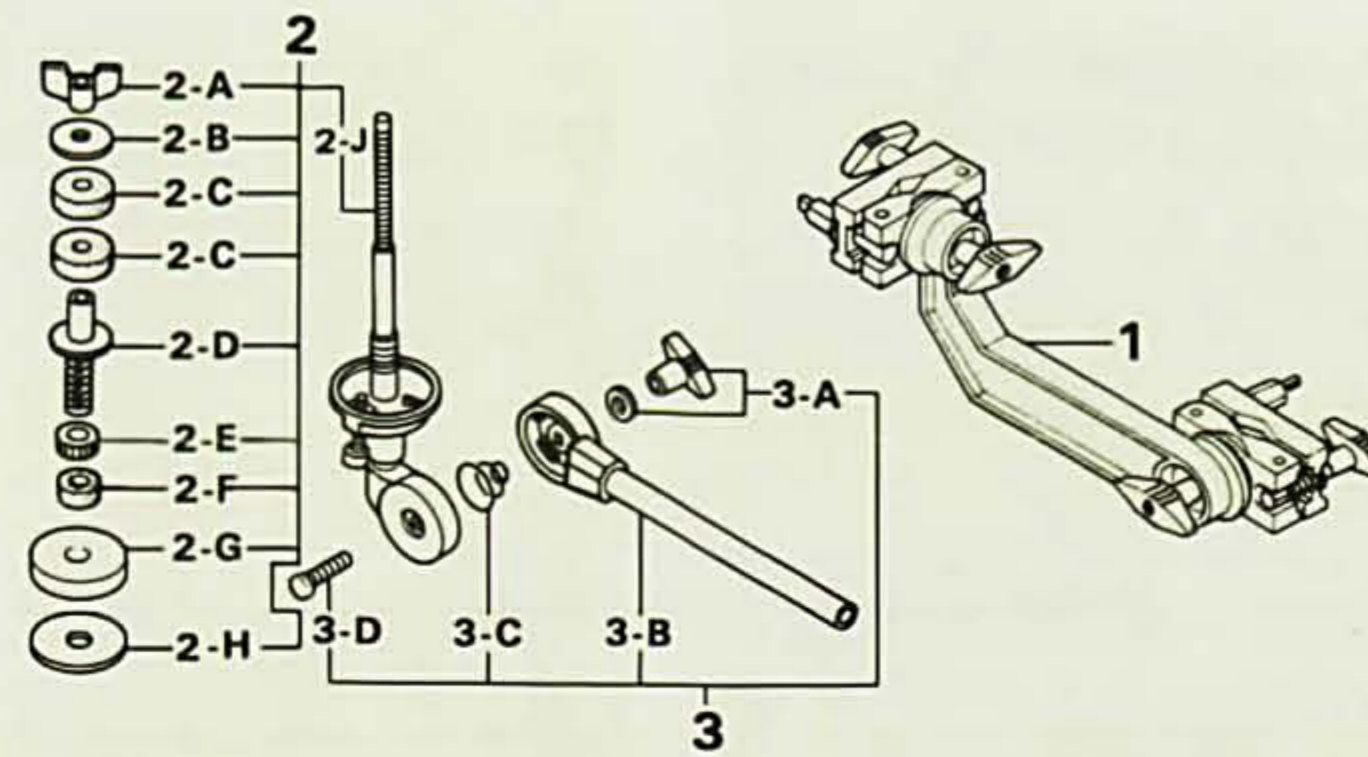
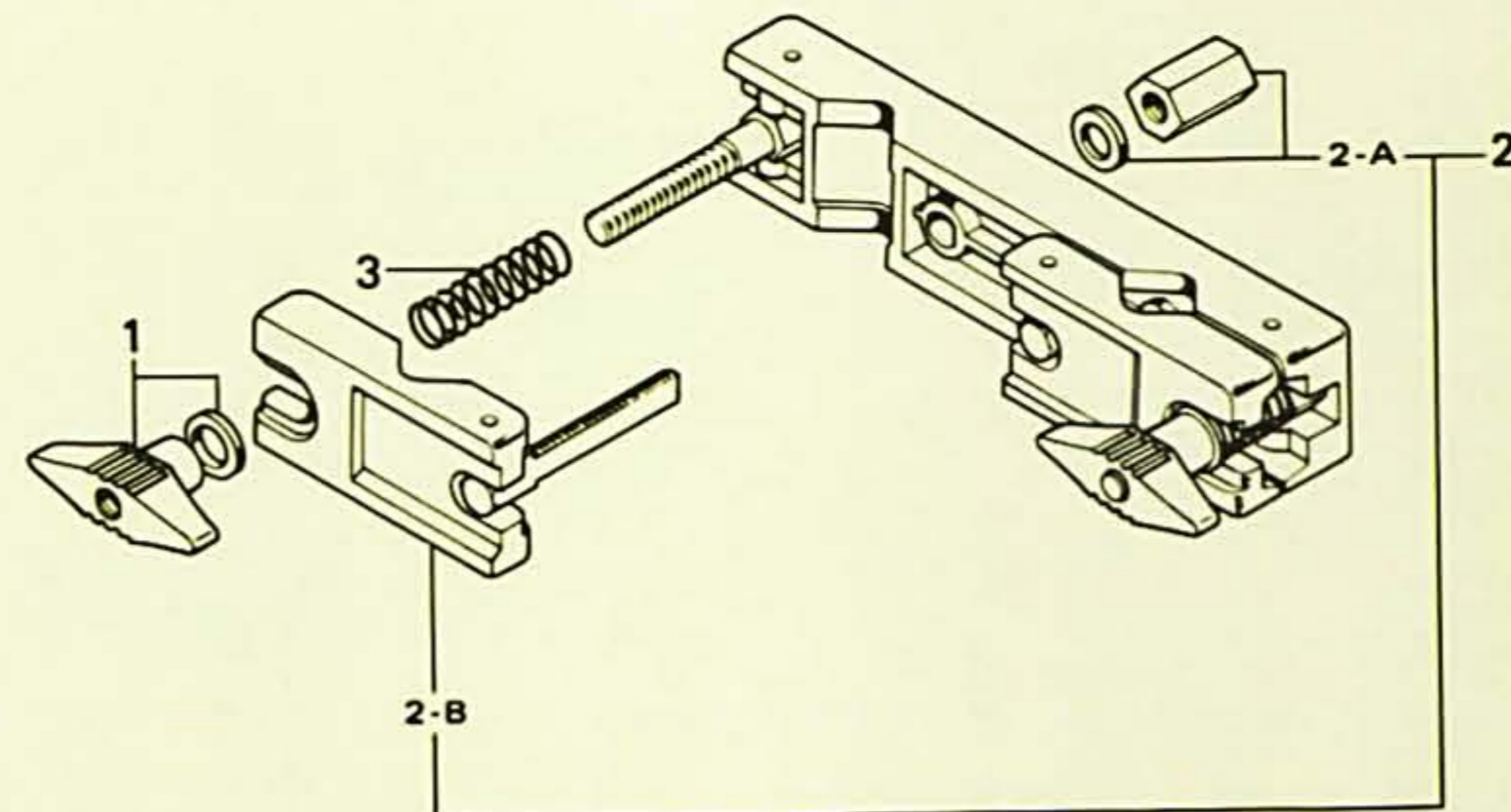
AX-25L/AX-25 Adaptors

- | | | |
|-----|--------|--|
| 1 | M-8AN | Die-Cast Wing Nut w/Washer |
| 2 | AX-5DS | Die-Cast Link w/Hexagonal Nut & Washer |
| 2-A | M-8SW | Hexagonal Nut w/Washer |
| 2-B | DC-182 | Die-Cast Link |
| 3 | DC-250 | Die-Cast Gear Link Assy. |
| 3-A | DS-25A | Die-Cast Gear Link w/Swivel Bolts |
| 3-B | SC-114 | Center Bolt |
| 3-C | SP-36 | Spring |
| 4 | SP-26 | Spring |



AX-20 Adaptor

- | | | |
|-----|--------|---|
| 1 | M-8AN | Die-Cast Wing Nut w/Washer |
| 2 | AX-2DS | Die-Cast Link w/Swivel Bolt, Hexagonal Nut & Washer |
| 2-A | M-8SW | Hexagonal Nut w/Washer |
| 2-B | DS-20B | Die-Cast Link w/Swivel Bolt |
| 3 | SP-26 | Spring |

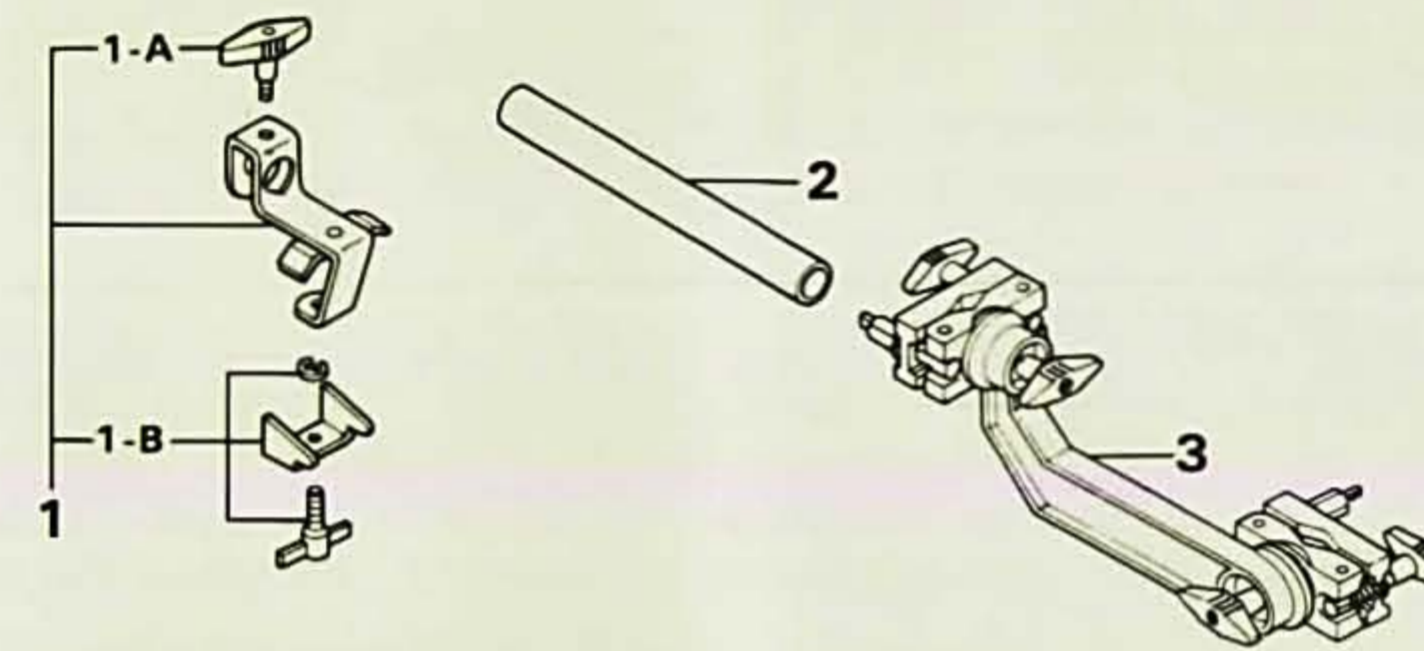


CLH-95A Closed Hat

- | | | |
|-----|---------|--|
| 1 | AX-25L | Adaptor — Please refer to the ADAPTOR section. — |
| 2 | TLH-95A | Top Section Assy. |
| 2-A | M-8W | Die-Cast Wing Nut |
| 2-B | WS-57 | Steel Washer |
| 2-C | FL-95A | Felt Washer |
| 2-D | PA-95S | Plastic Sleeve w/Spring |
| 2-E | ME-188 | Lock Nut |
| 2-F | FE-10 | Felt Washer |
| 2-G | FE-17 | Felt Washer |
| 2-H | PR-128 | Steel Washer |
| 2-J | TLH-1 | Tilter Assy. Complete |
| 3 | TLH-95B | Tube Assy. Complete |
| 3-A | M-8AN | Die-Cast Wing Nut w/Washer |
| 3-B | TLH-2 | Tube ONLY |
| 3-C | SP-27 | Spring |
| 3-D | SC-36B | Clamp Bolt |

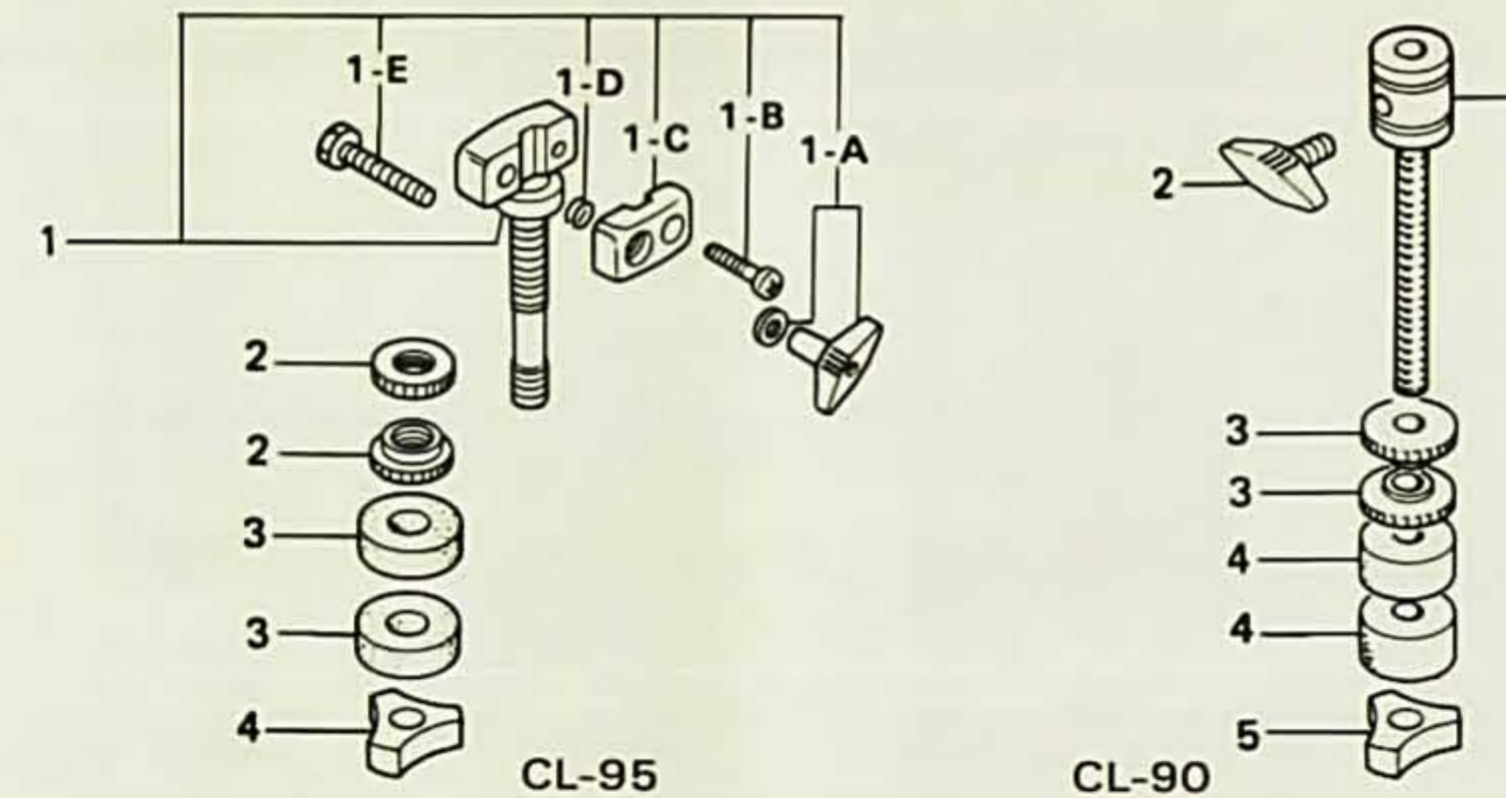
HA-95L Hi-Hat Attachment

- | | | |
|-----|--------|--|
| 1 | HAM-1A | Hoop Mount Holder Assy. Complete |
| 1-A | M-815N | Die-Cast Wing Bolt |
| 1-B | HCP-1A | Hoop Clamp Assy. |
| 2 | HAP-1 | Connecting Tube |
| 3 | AX-25L | Adaptor — Please refer to the ADAPTOR section. — |



CL-95 Hi-Hat Clutch

- | | | |
|-----|--------|----------------------------|
| 1 | CL-95A | Pipe Bolt Assy. |
| 1-A | M-6N | Die-Cast Wing Nut w/Washer |
| 1-B | SC-171 | Clamp Bolt |
| 1-C | DC-231 | Die-Cast Link ONLY |
| 1-D | SP-11 | Spring |
| 1-E | SC-168 | Clamp Bolt |
| 2 | CL-95N | Lock Nut (one each) |
| 3 | FL-95 | Felt Washer (one each) |
| 4 | ME-136 | Bottom Lock Nut |

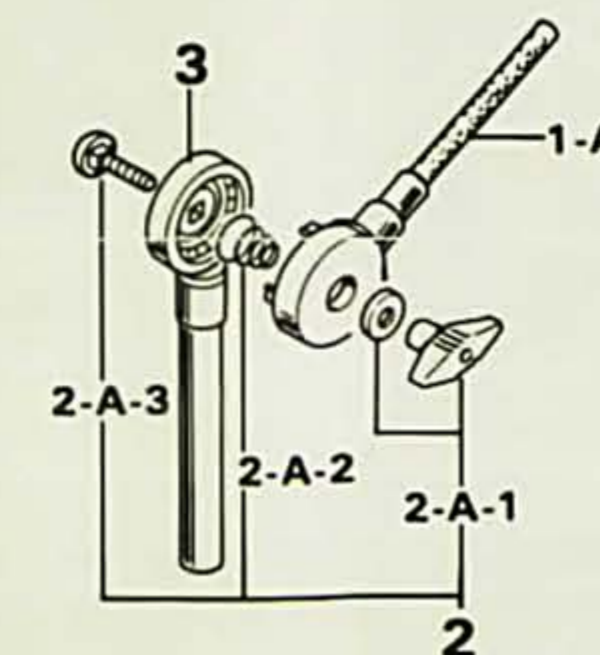


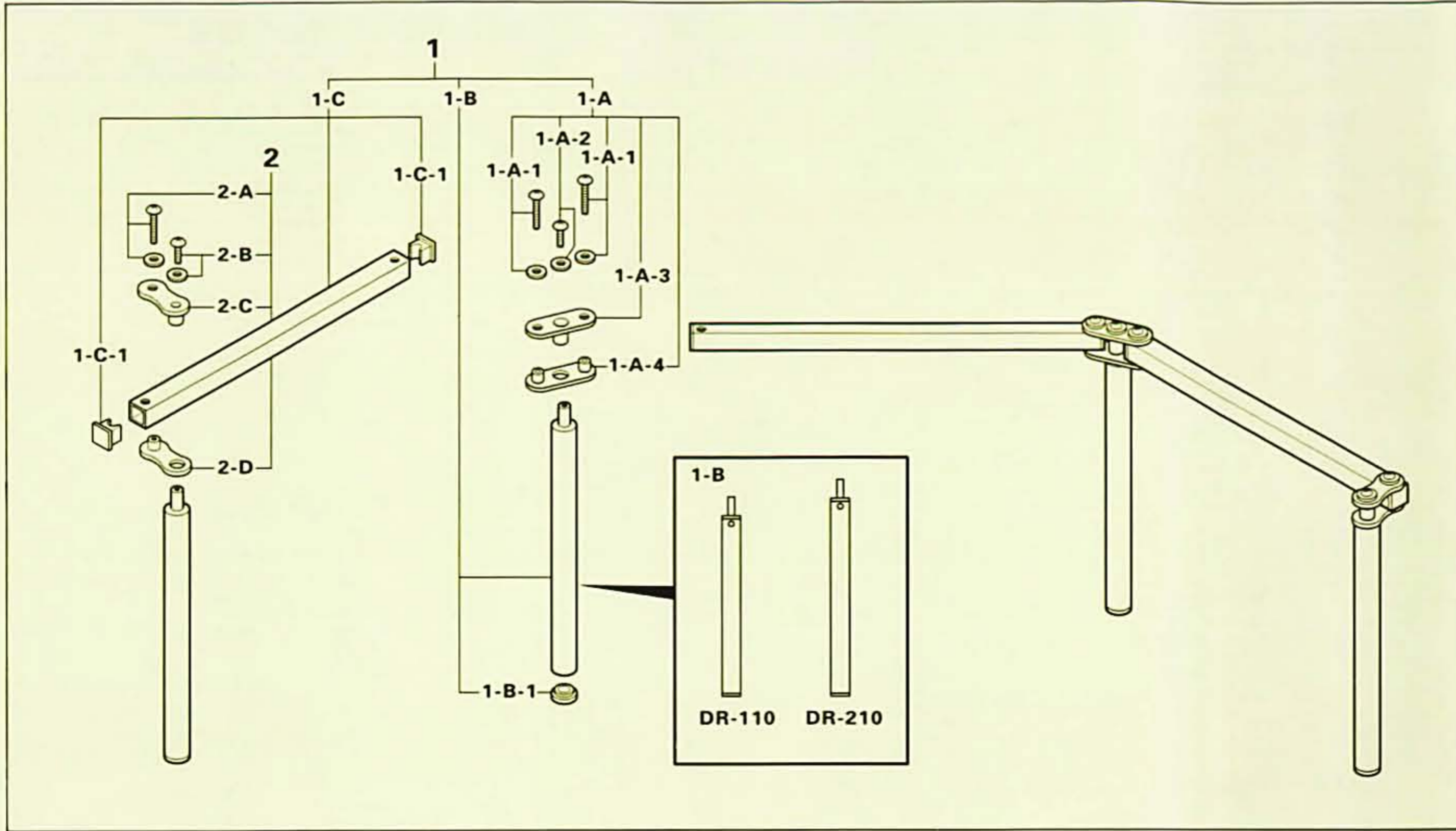
CL-90 Hi-Hat Clutch

- | | | |
|---|--------|------------------------|
| 1 | CL-90A | Pipe Bolt |
| 2 | M-610N | Die-Cast Wing Bolt |
| 3 | CL-95N | Lock Nut (one each) |
| 4 | FL-95 | Felt Washer (one each) |
| 5 | ME-136 | Bottom Lock Nut |

75X Cowbell Holder

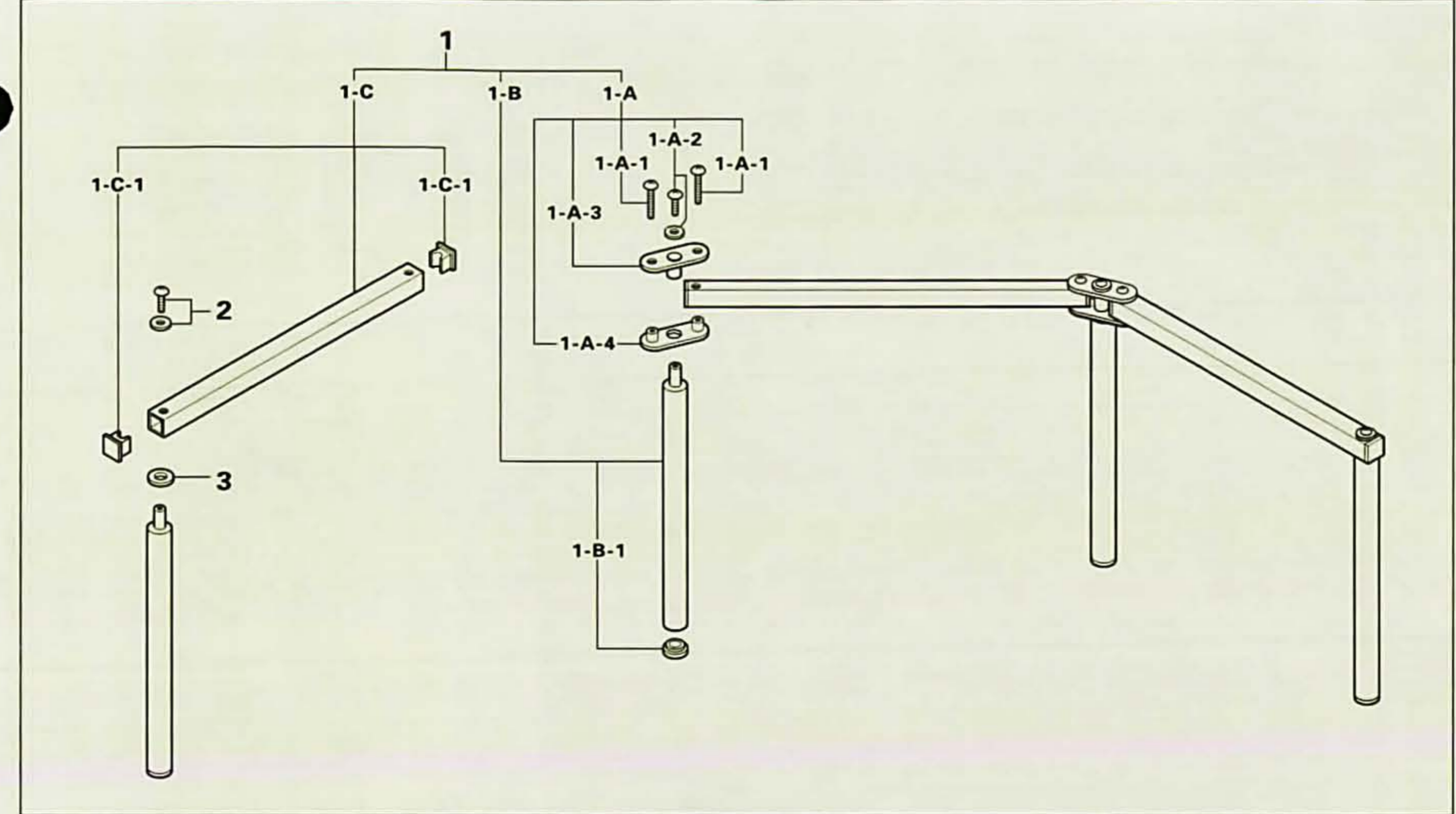
- | | | |
|-------|---------|------------------------------|
| 1-A | CBT-75 | Cowbell Tilter |
| 2 | SN-40AN | Die-Cast Wing Nut & Bolt Set |
| 2-A-1 | M-8BN | Die-Cast Wing Nut w/Washer |
| 2-A-2 | SP-27 | Spring |
| 2-A-3 | SC-36B | Clamp Bolt |
| 3 | TU-73A | Tube w/Gear Link |





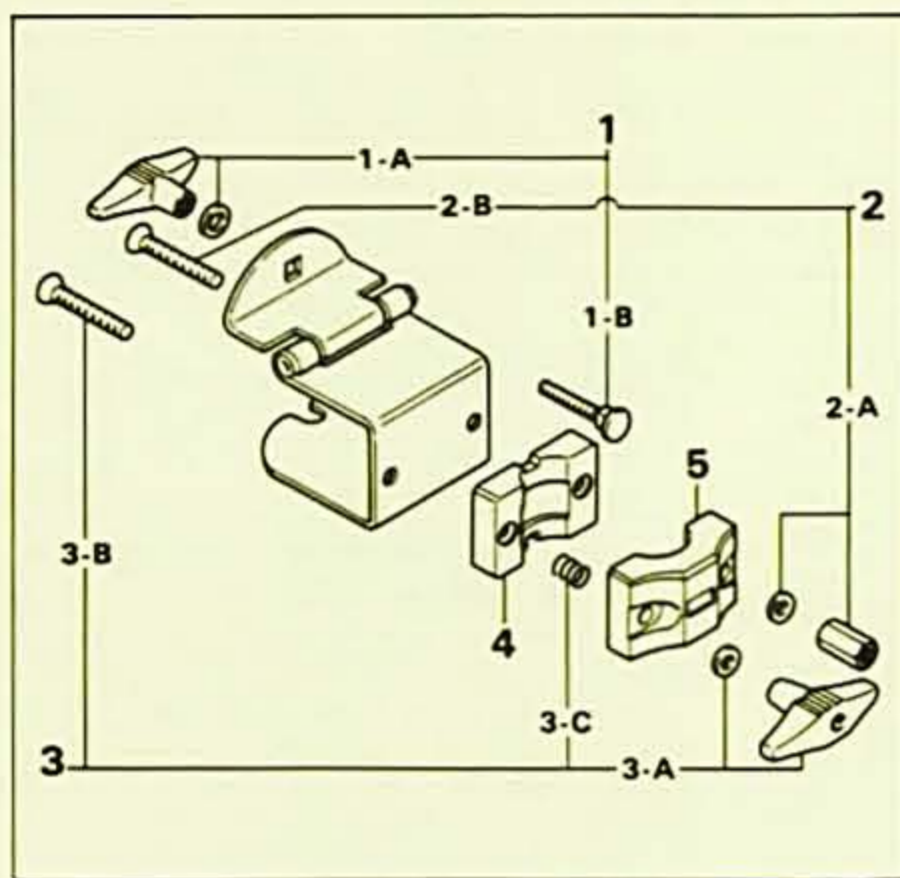
DR-110/DR-210 Drum Rack Systems

1	DR-002	Bar Assy. Complete w/Leg (Short)	1-B-1	NP-147	Leg Cap
	DR-004	Bar Assy. Complete w/Leg (Long)	1-C	AL-11	Bar Assy.
1-A	DR-JC	Joint Assy.	1-C-1	NP-146	Corner Cap (one each)
1-A-1	SC-202	Bolt w/Washer (Long) (one each)	2	DR-JD	Joint Assy.
1-A-2	SC-203	Bolt w/Washer (Short)	2-A	SC-202	Bolt w/Washer (Long)
1-A-3	LKP-3	Upper Link Plate w/Leg Bracket	2-B	SC-203	Bolt w/Washer (Short)
1-A-4	LKP-4	Lower Link Plate w/Nuts	2-C	LKP-5	Upper Link Plate w/Leg Bracket
1-B	122N	Leg w/Leg Cap (Short)	2-D	LKP-6	Lower Link Plate w/Nuts
	123N	Leg w/Leg Cap (Long)			



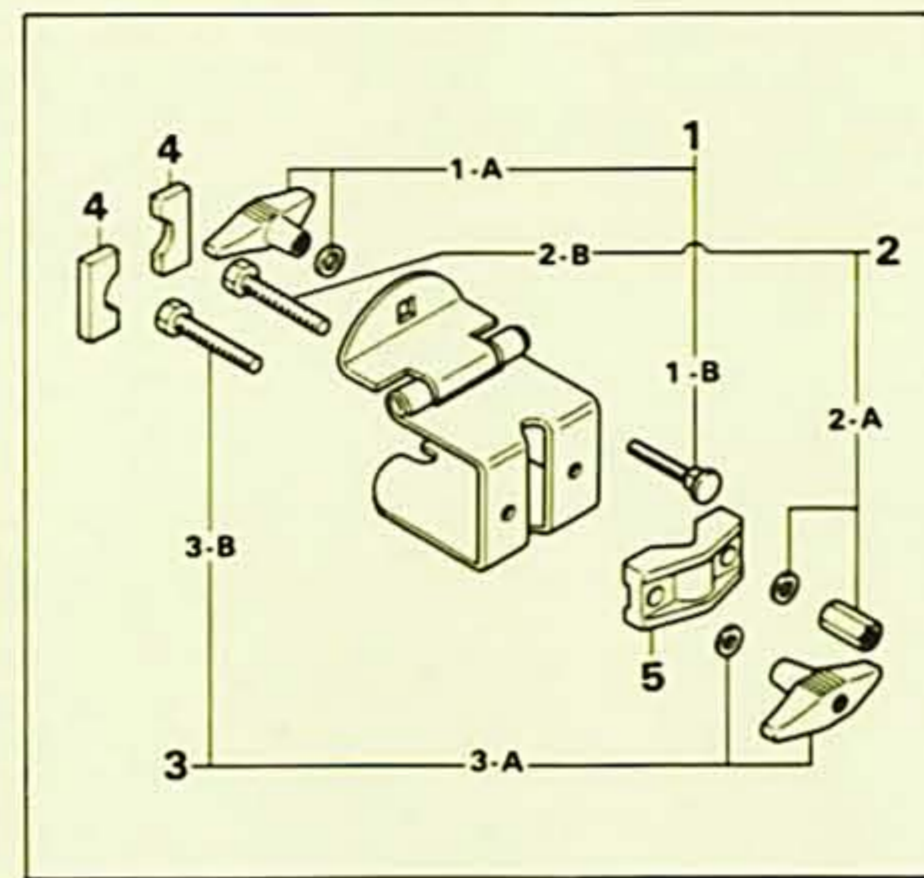
DR-80 Drum Rack System

1	DR-008	Bar Assy. Complete w/Leg	1-B	120N	Leg w/Leg Cap
1-A	DR-JC1	Joint Assy.	1-B-1	NP-163	Leg Cap
1-A-1	SC-204	Bolt (Long) (one each)	1-C	AL-13	Bar Assy.
1-A-2	SC-205	Bolt w/Washer (Short)	1-C-1	NP-162	Corner Cap (one each)
1-A-3	LKP-7	Upper Link Plate w/Leg Bracket	2	SC-205	Bolt w/Washer (Short)
1-A-4	LKP-4	Lower Link Plate w/Nuts	3	PR-282	Leg Spacer



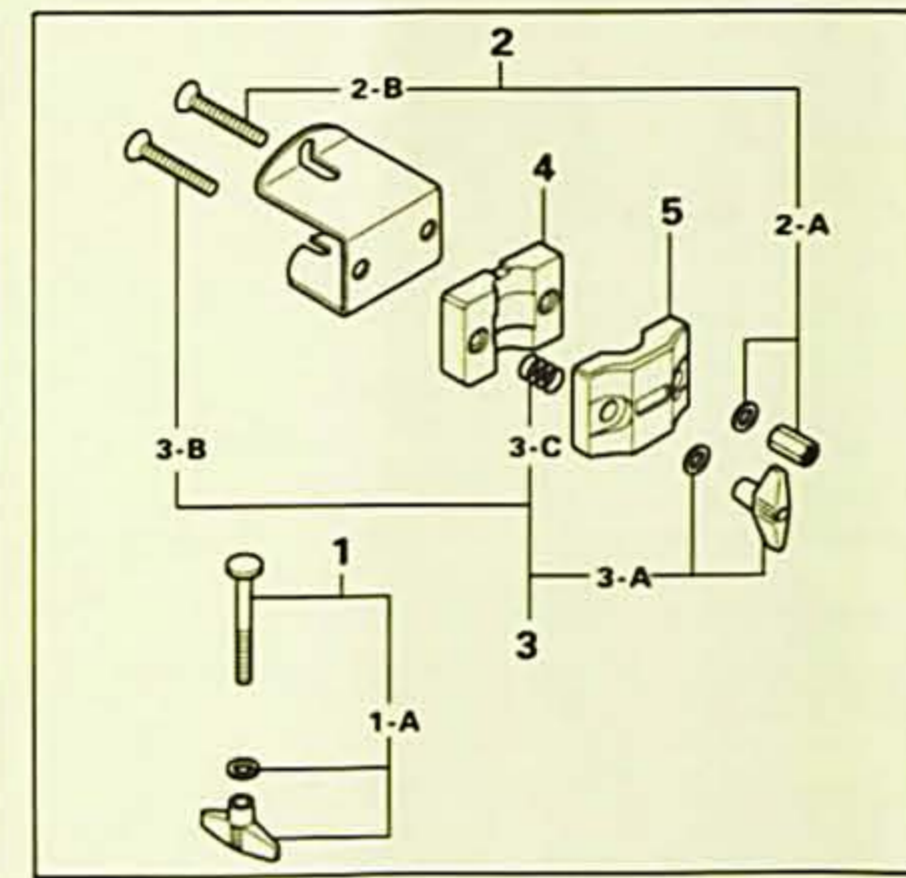
PC-10 Pipe Clamp

1	SN-10AN	Die-Cast Wing Nut w/Washer & Bolt
1-A	M-8AN	Die-Cast Wing Nut w/Washer
1-B	SC-36B	Clamp Bolt
2	HX-10	Hexagonal Nut w/Washer & Bolt
2-A	M-8SW	Hexagonal Nut w/Washer
2-B	SC-850	Bolt
3	SN-10BN	Die-Cast Wing Nut w/Washer & Bolt
3-A	M-8AN	Die-Cast Wing Nut w/Washer
3-B	SC-850	Bolt
3-C	SP-45	Spring
4	DC-283	Die-Cast Link
5	DC-284	Die-Cast Link



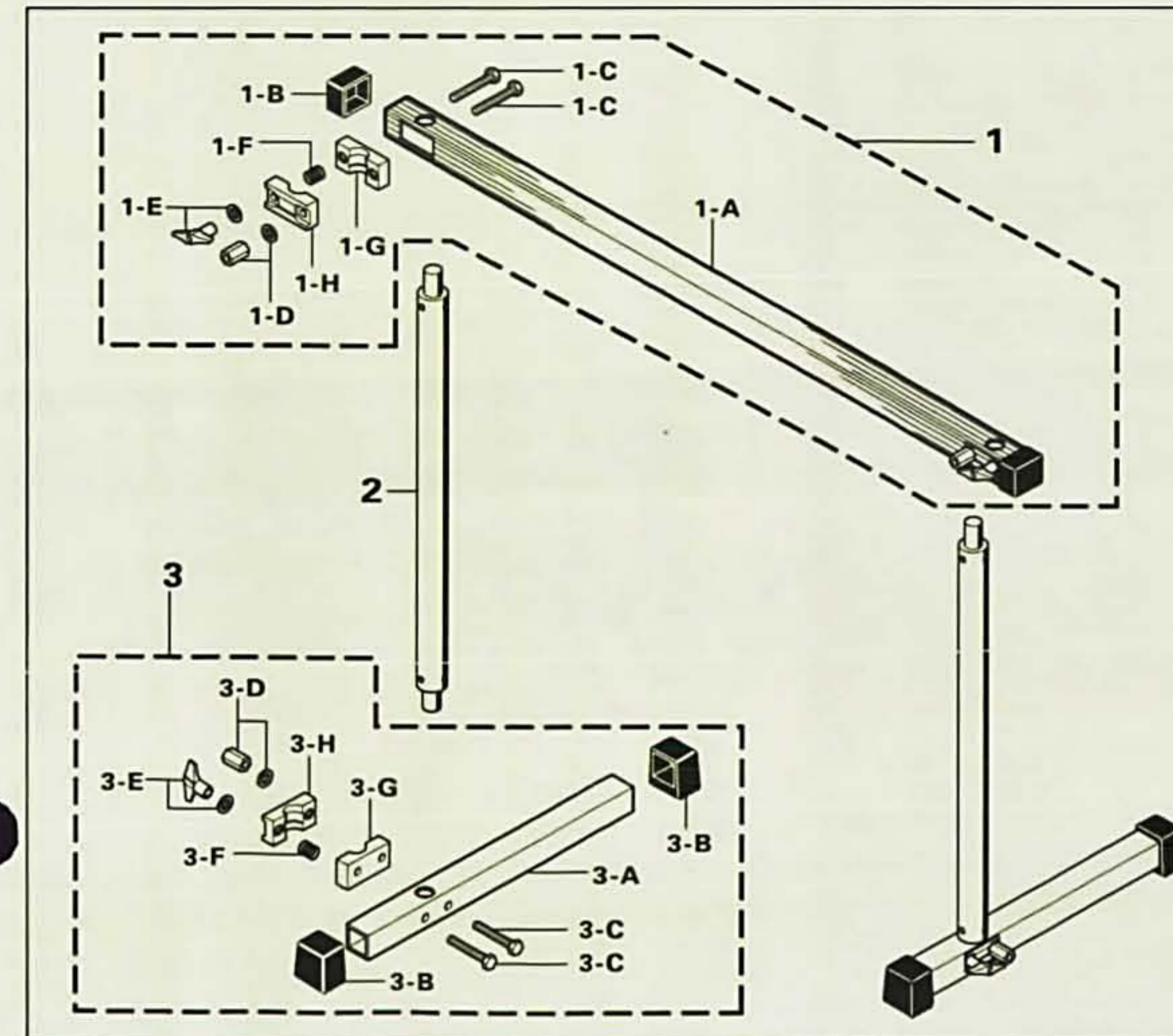
PC-5 Pipe Clamp

1	SN-10AN	Die-Cast Wing Nut w/Washer & Bolt
1-A	M-8AN	Die-Cast Wing Nut w/Washer
1-B	SC-36B	Clamp Bolt
2	HX-5A	Hexagonal Nut w/Washer & Bolt
2-A	M-8SW	Hexagonal Nut w/Washer
2-B	HX-835	Bolt
3	HX-5BN	Die-Cast Wing Nut w/Washer & Bolt
3-A	M-8AN	Die-Cast Wing Nut w/Washer
3-B	HX-835	Bolt
4	PR-5	Rubber Protector (one each)
5	DC-151	Die-Cast Link



PC-07 Pipe Clamp

1	PCB-4AN	Die-Cast Wing Nut w/Washer & Bolt
1-A	M-8AN	Die-Cast Wing Nut w/Washer
2	HX-10	Hexagonal Nut w/Washer & Bolt
2-A	M-8SW	Hexagonal Nut w/Washer
2-B	SC-850	Bolt
3	SN-10BN	Die-Cast Wing Nut w/Washer & Bolt
3-A	M-8AN	Die-Cast Wing Nut w/Washer
3-B	SC-850	Bolt
3-C	SP-45	Spring
4	DC-283	Die-Cast Link
5	DC-284	Die-Cast Link

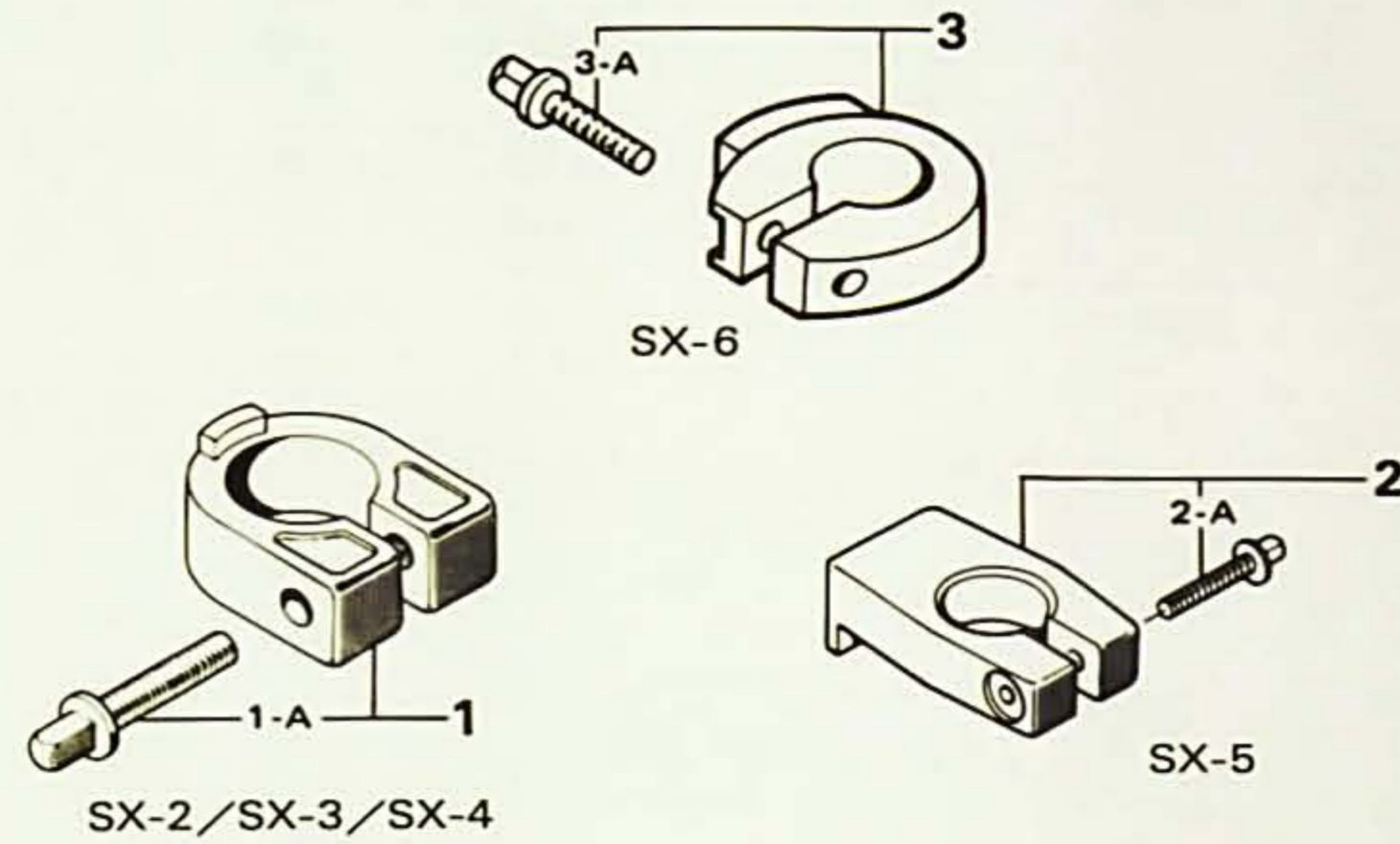


DR-50 Bridge Rack

1	DR-005	Front Bar Assy.
1-A	AL-12	Front Bar ONLY
1-B	NP-187	Side Cover
1-C	SC-121	Bolt (one each)
1-D	M-8SW	Hexagonal Nut w/Washer
1-E	M-8AN	Die-Cast Wing Nut w/Washer
1-F	SP-45	Spring
1-G	DC-365	Die-Cast Link
1-H	DC-366	Die-Cast Link
2	155N	Leg ONLY
3	DR-006	Floor Bar Assy.
3-A	PP-154A	Floor Bar ONLY
3-B	NP-188	Rubber Cap (one each)
3-C	SC-121	Bolt (one each)
3-D	M-8SW	Hexagonal Nut w/Washer
3-E	M-8AN	Die-Cast Wing Nut w/Washer
3-F	SP-45	Spring
3-G	DC-365	Die-Cast Link
3-H	DC-366	Die-Cast Link

Stop Locks

- 1 SX-2 for Tom Holders, CH-98, CH-98T, CH-88, CH-88L
- SX-3 for T-985W, T-855W, T-855
- SX-4 for H-955, H-885, H-855, H-880W, H-850WN
- 1-A KB-630 Key Bolt
- 2 SX-5 for D-850, D-830, D-730
- 2-A KB-630 Key Bolt
- 3 SX-6 for B-955WT, CH-98T, H-750
- 3-A KB-630 Key Bolt



Rubber Tips

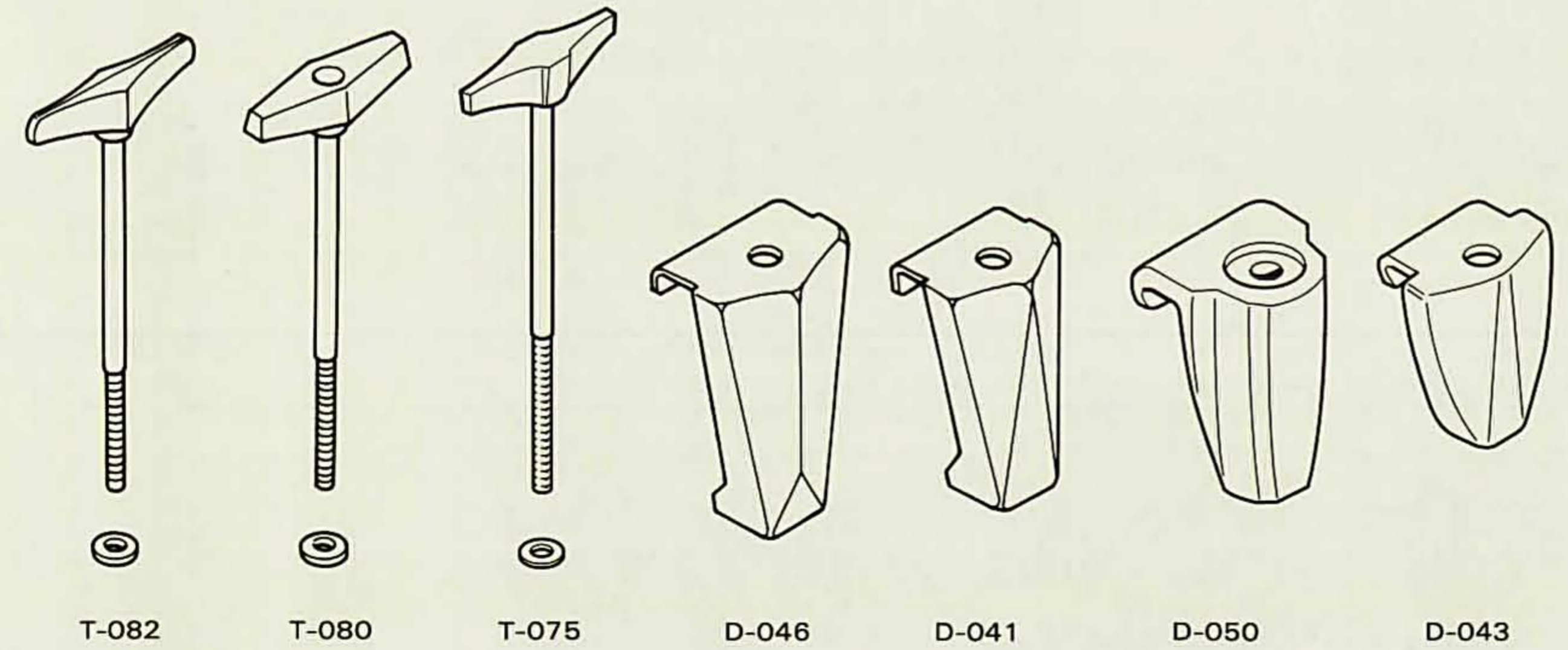
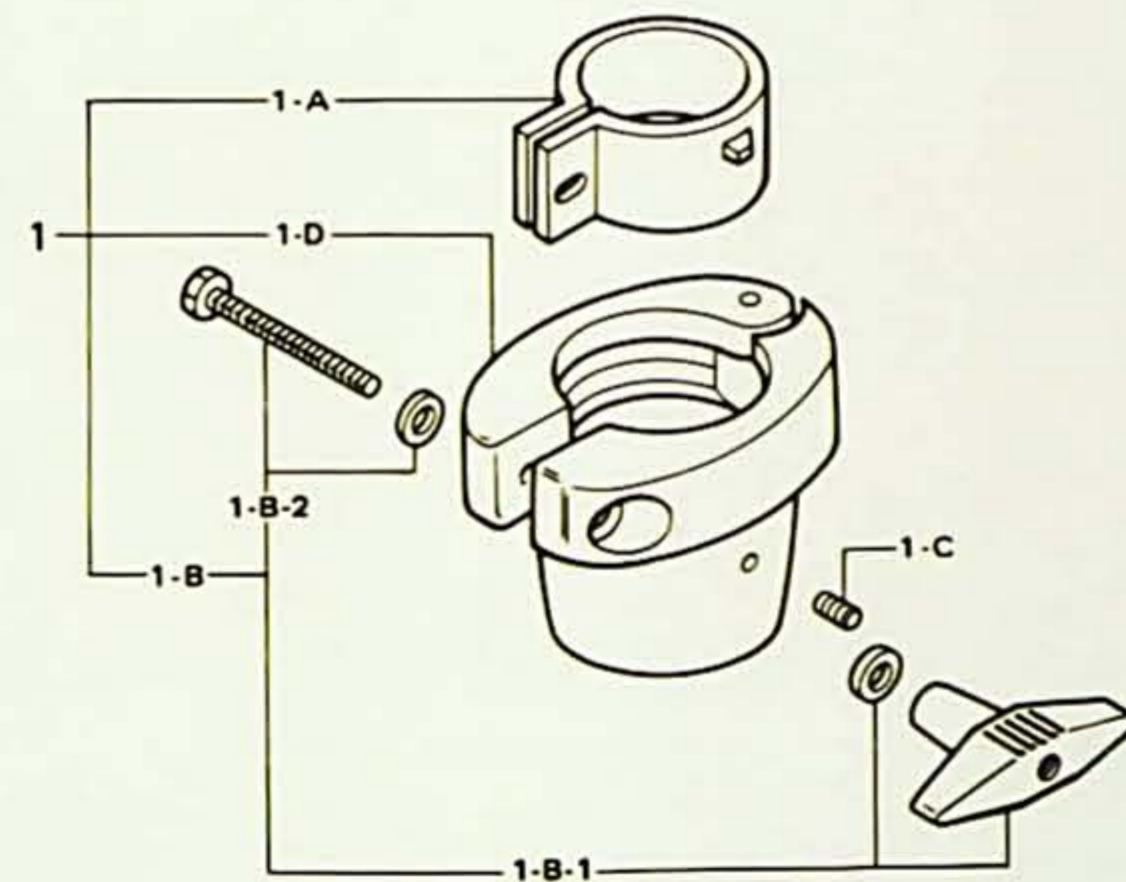
Number	Application
R-10	H-750, S-850, S-750, C-855, C-750, B-855, B-750, T-855, D-730
R-20	S-955W, S-925W, S-885W, D-950, D-900, D-900N, D-900S, D-850, D-830
R-22	B-855WL, B-855W, C-855W, T-985W, T-855W, T-855WB, H-880W, H-850WN
R-24 (Not shown)	B-955WT, B-955W, C-955W



Die-Cast Joints

- 1 Die-Cast Joint Assy.
- 1-A Nylon Bushing
- 1-B Die-Cast Wing Nut & Bolt Set
- 1-B-1 M-6N Die-Cast Wing Nut w/Washer
- 1-B-2 Clamp Bolt w/Nylon Washer
- 1-C Allen Screw
- 1-D SB-44 Die-Cast Joint

Die-Cast Joint	Nylon Bushing	Application
DJ-40A	NB-4N	Center Tube of C-750 (1/2 inch)
DJ-50A	NB-5N	Center Tube of B-855WL, B-855W, B-855, C-855W, C-855, Boom Section of B-955WT, CH-98T, Base Section of B-750, C-750, H-750 (5/8 inch)
DJ-70A	NB-7N	Center Tube of B-955WT, B-955W, C-955W, Base Section of B-855WL, B-855W, B-855, C-855W, C-855, T-985W, T-855W, T-855, T-855WB, S-955W, S-925W, S-885W, S-850, S-750 (7/8 inch)
DJ-80A	NB-8N	Base Section of H-950, H-885, H-880W, H-850WN, H-855 (1 inch)
DJ-90A	NB-9N	Base Section of B-955WT, B-955W, C-955W (1-1/8 inch)



Tension Handle Rods (w/Washer)

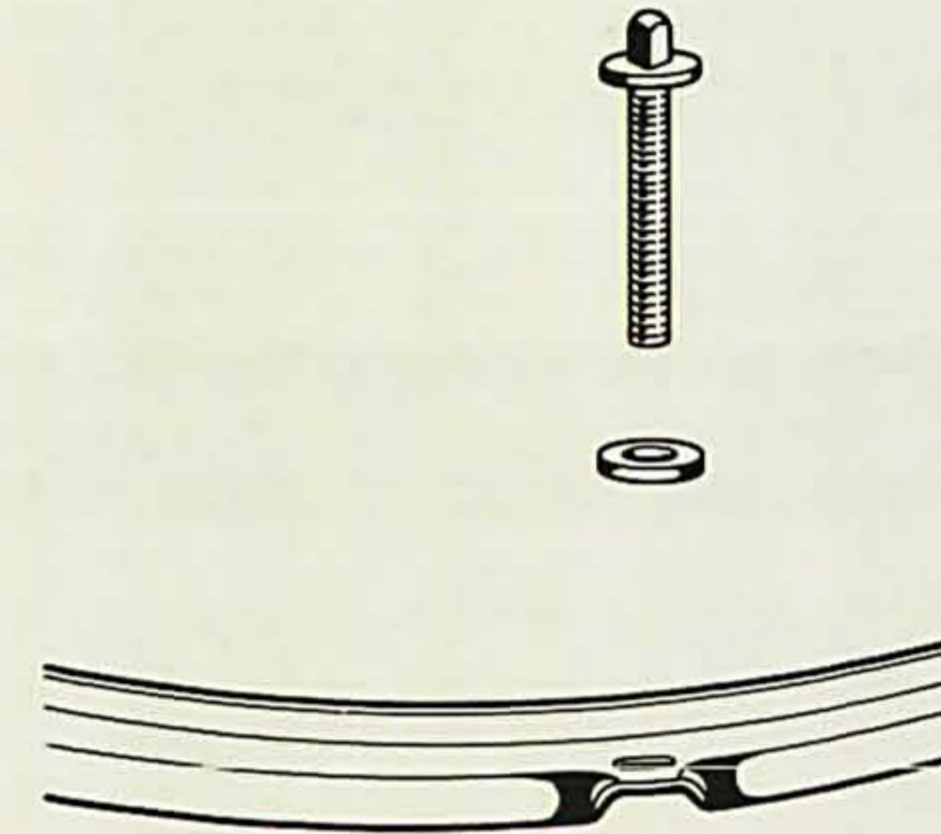
Number	Length	Application
T-082	110mm	CZX/SZX/MLX/BLX Bass Drums
T-080	110mm	SLX/WSX/EPX/EX Bass Drums
T-075	110mm	MMX/MBX/CMX/CBX/SPX/SX Bass Drums

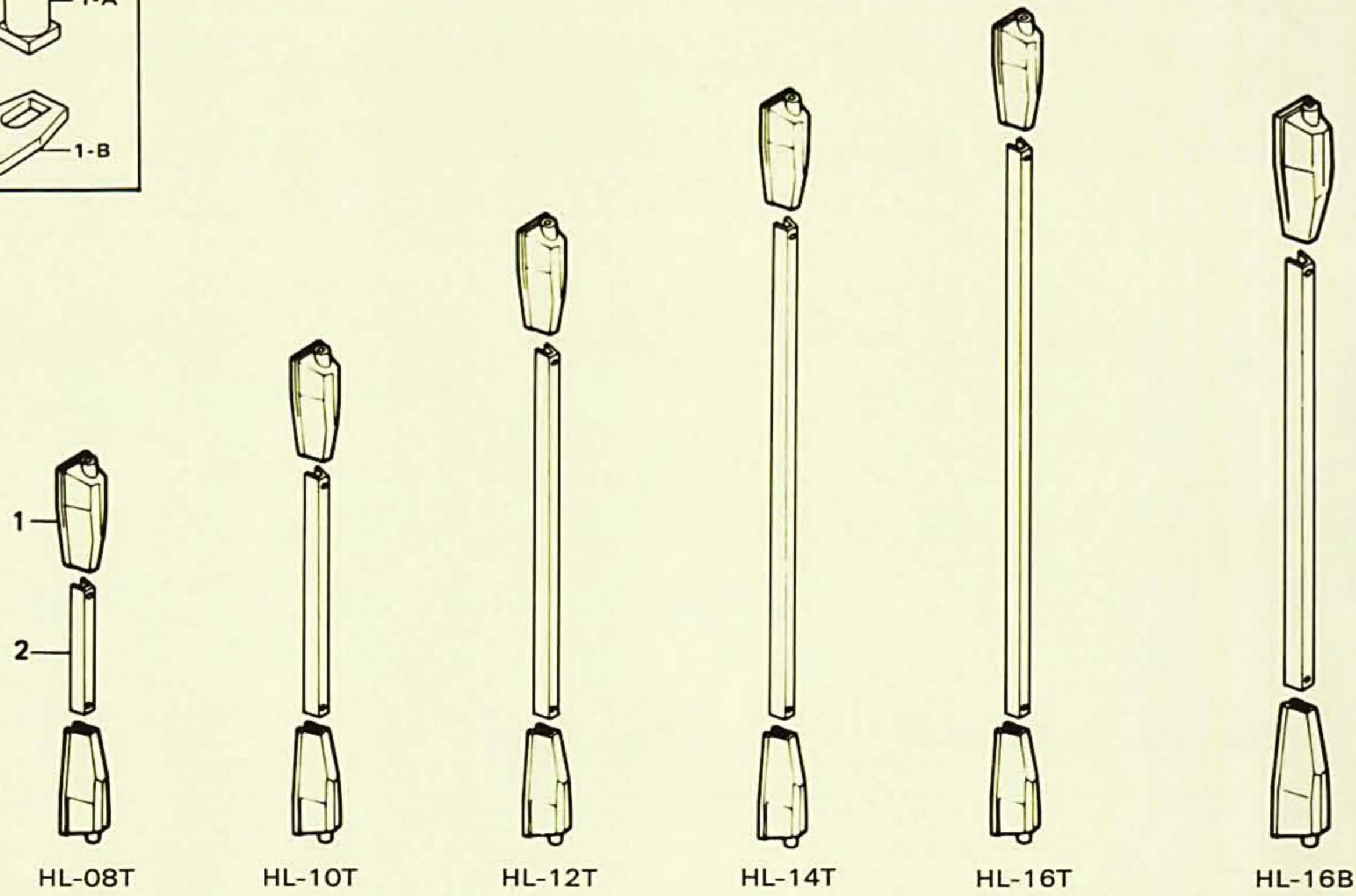
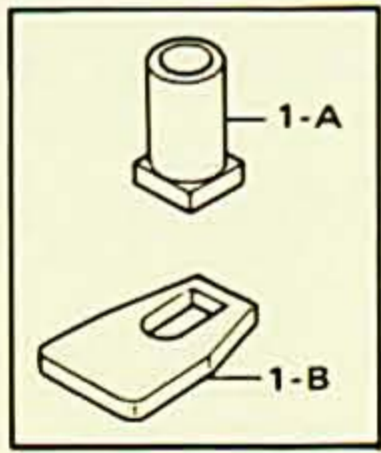
Claw Hooks

Number	Application
D-046	CZX/SZX/MLX/BLX Bass Drums
D-041	SLX/WSX/EPX/EX Bass Drums
D-050	MMX/MBX/CMX/CBX/SPX/SX Bass Drums
D-043	EX (New) Bass Drums

Tension Key Rods (w/Washer)

Number	Length	Application
T-055	M5.8x28mm	M/B/SL-513P
T-060	M5.8x35mm	MMX-5314D, B-5314D, MMX/MBX-5114D, CL-5314D, BH-5214D, SH-5114D, S-6114D, New FFS Snare Drums (Top/Bottom) SZX/MLX/BLX/SLX/WSX/EPX/EX 14" depth Floor Toms & Tom Toms (except for 213D)
T-061	M5.8x42mm	MMX/MBX-5114, CL-5314, SH-5114, CZX-5314ED(D), SZX-5314D, MLX-5314D, MLX-5314, SLX-614, WSX-614, W-6114, M-512SE, MMX/MBX/CMX/CBX/SPX/SX Floor Toms & Tom Toms SLX/WSX Jazz Type Floor Toms & Tom Toms CZX Tom Toms (except for 213D & 213ED) & 14" depth Floor Tom, Rocket Toms
T-062	M5.8x52mm	CZX/SZX/MLX/BLX/SLX/EPX/EX 16" depth Floor Toms & 213D(ED) Tom Toms, EPX/EX-614D
T-064	M5.8x75mm	CZX 18" depth Floor Tom
T-066	M6.0x110mm	All Bass Drums
T-060BR	M5.8x35mm	CL-5314D-BR
T-061BR	M5.8x42mm	CL-5314-BR



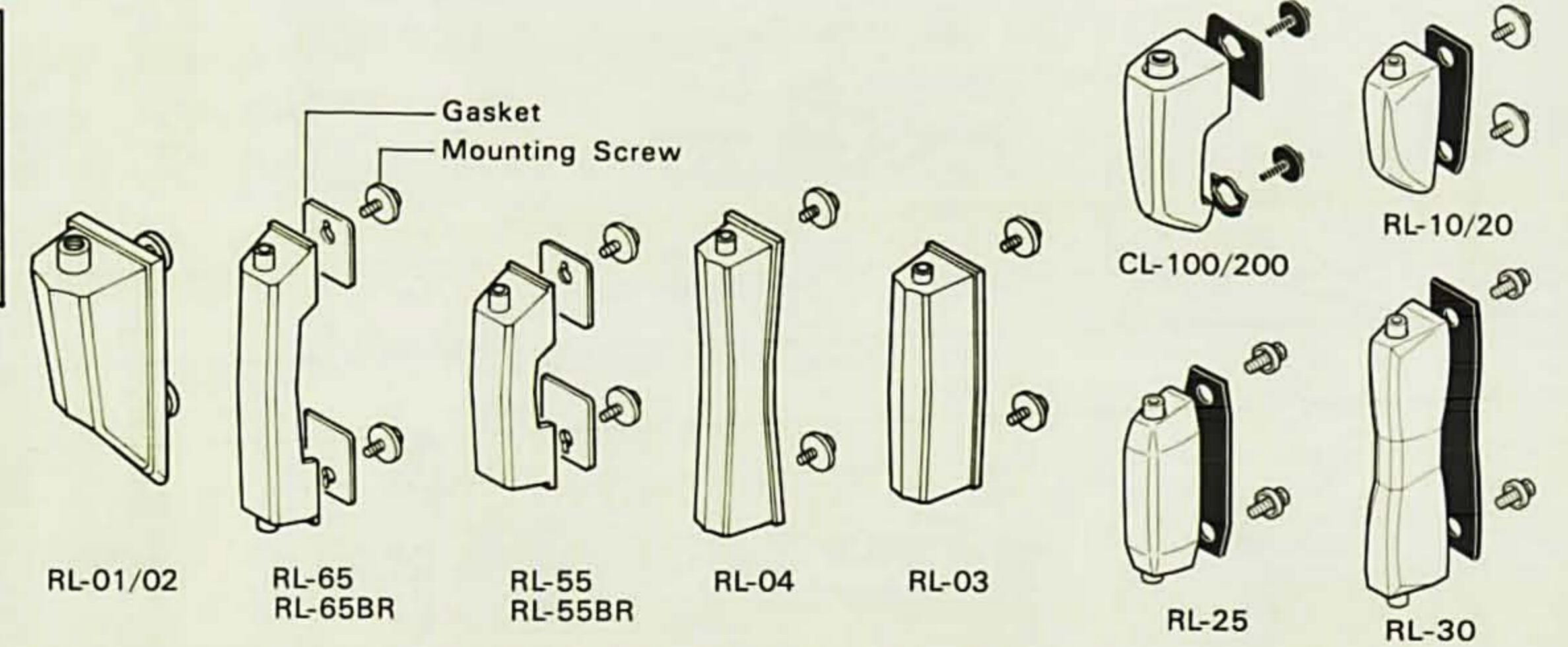
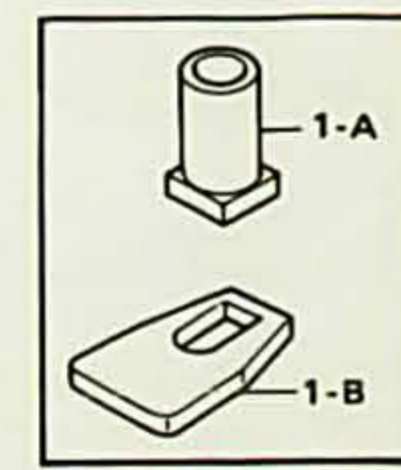
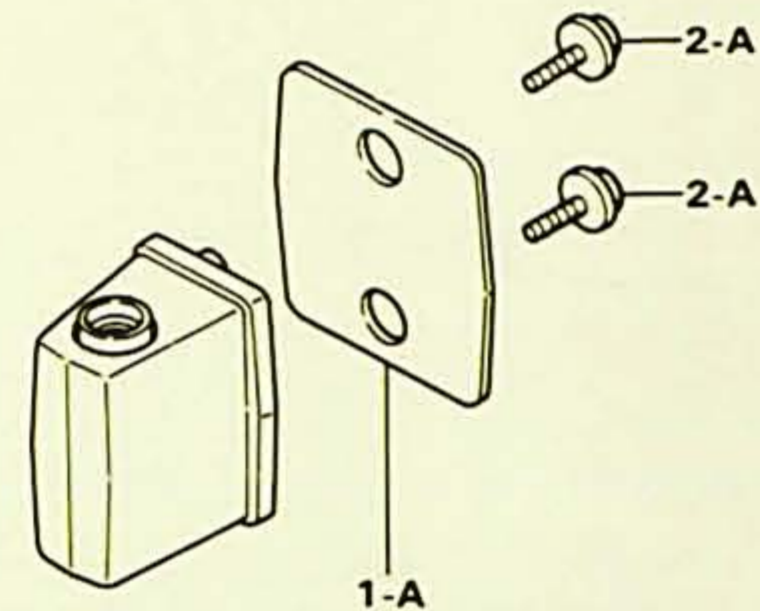


3 Piece Hi-Tension Lugs

Number	Lug (1)	Lug-Joint (2)	Nut (1-A)	Stopper (1-B)	Gasket	Application
HL-08T	HL-TT-1	HL-08T-2	S-61	ST-02	GK-02	SLX/EPX/EX 8" depth Tom Toms
HL-10T	HL-TT-1	HL-10T-2	S-61	ST-02	GK-03	SLX/EPX/EX 10", 11" depth Tom Toms
HL-12T	HL-TT-1	HL-12T-2	S-61	ST-02	GK-04	SLX/EPX/EX 12" depth Tom Toms
HL-14T	HL-TT-1	HL-14T-2	S-61	ST-02	GK-05	SLX/EPX/EX 14" depth Floor Toms & Toms
HL-16T	HL-TT-1	HL-16T-2	S-61	ST-02	GK-06	SLX/EPX/EX 16" depth Floor Toms & Tom Toms
HL-16B	HL-BD-1	HL-16B-2	S-71	ST-03	GK-08	SLX/EPX/EX 16" depth Bass Drums

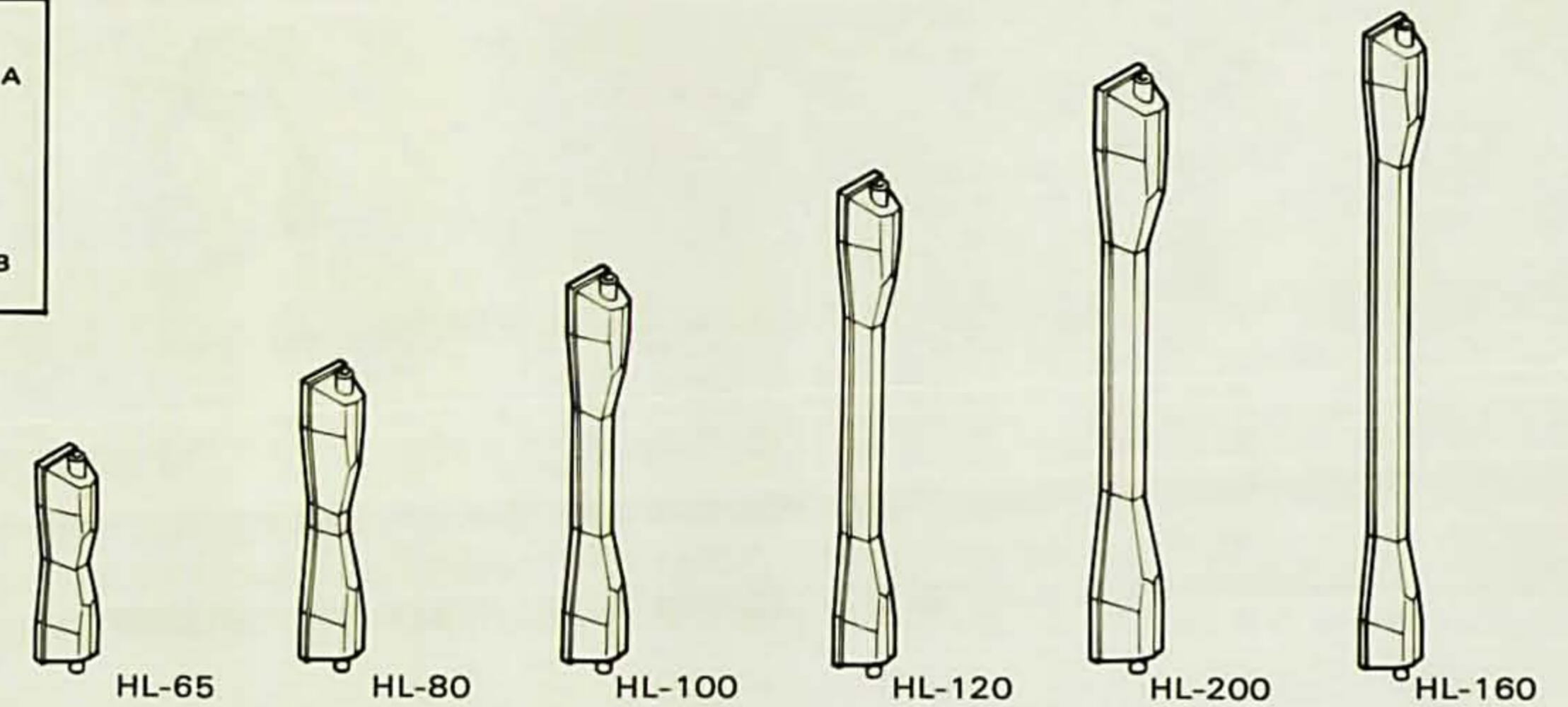
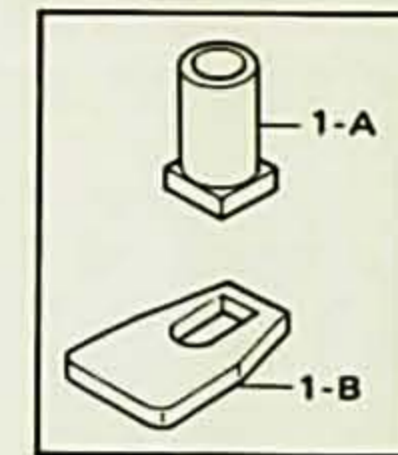
RL-05 Lug for 13" Piccolo Snare Drum

- 1-A GK-13 Gasket (for M-513P)
- 2-A SM-412B Mounting Screw (for M-513P) (one each)
- SM-408C Mounting Screw (for B/SL-513P) (one each)



Regular Lugs w/Gasket (except for RL-05 of B/SL-513P)

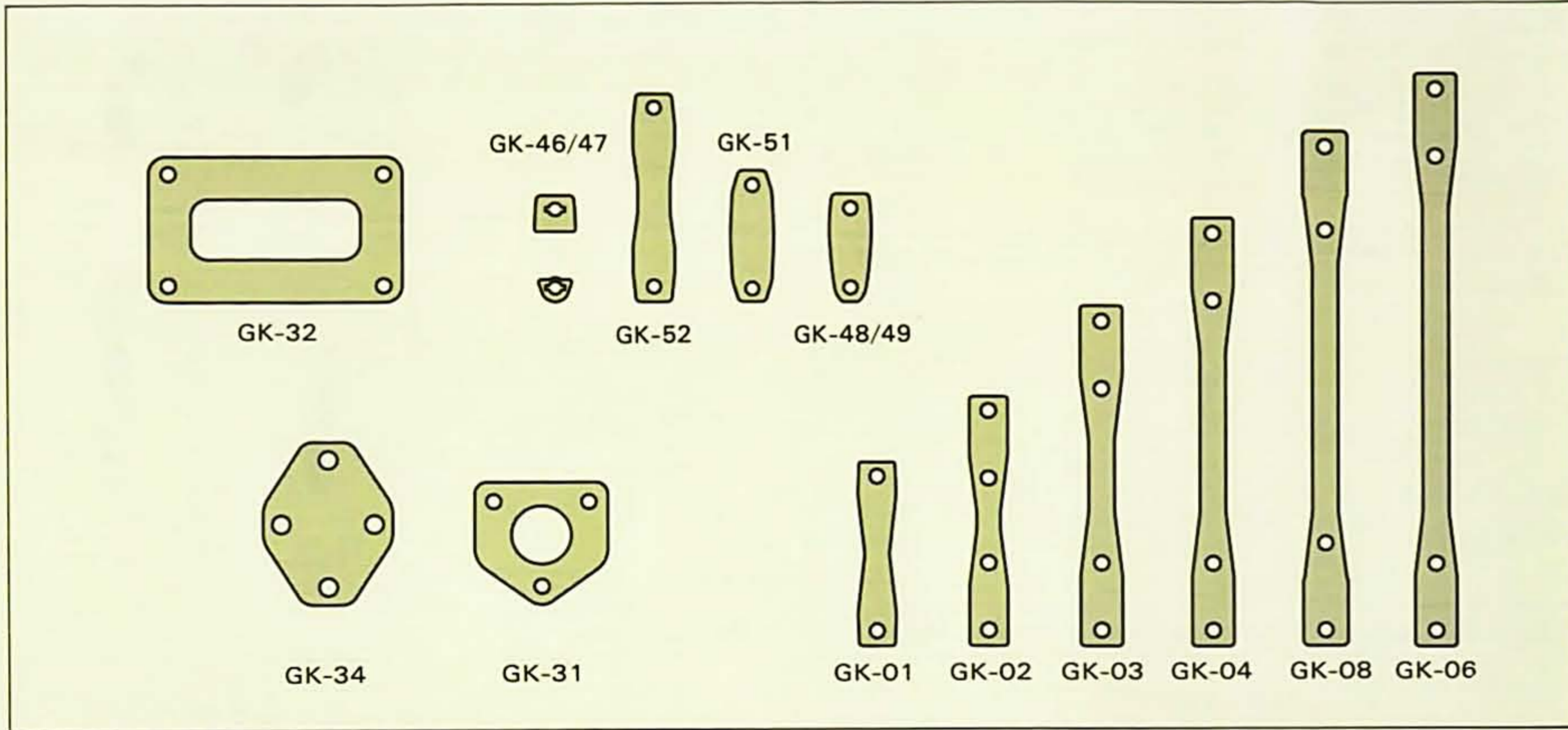
Number	Nut (1-A)	Stopper (1-B)	Application	Number	Nut (1-A)	Stopper (1-B)	Application
RL-01	S-61	ST-01	SLX/WSX Jazz Type Floor Toms & Tom Toms, Rocket Toms	RL-55-BR	S-61BP	ST-04	CL-5314-BR
RL-02	S-71	ST-02	SLX/WSX Jazz Type Bass Drums	RL-65-BR	S-61BP	ST-04	CL-5314D-BR
RL-03	S-61	ST-01	MLX-5314, SLX-614, WSX-614, EPX/EX-614D	CL-100	S-61	ST-04	MMX-5314D, B-5314D, MMX/MBX/CMX/CBX Floor Toms & Tom Toms
RL-04	S-61	ST-01	S-6114D	CL-200	S-71	ST-05	MMX/MBX/CMX/CBX Bass Drums
RL-05	S-63	ST-04	M/B/SL-513P	RL-10	S-61	ST-04	SPX/SX Floor Toms & Toms
RL-55	S-61	ST-04	MMX/MBX-5114, CL-5314, SH-5114	RL-20	S-71	ST-05	SPX/SX Bass Drums
RL-65	S-61	ST-04	MMX/MBX-5114D, CL-5314D, BH-5214D, SH-5114D	RL-25	S-61	ST-04	EX-614D (New), W-6114
				RL-30	S-61	ST-04	S-6114D (New)



Hi-Tension Lugs w/Gasket

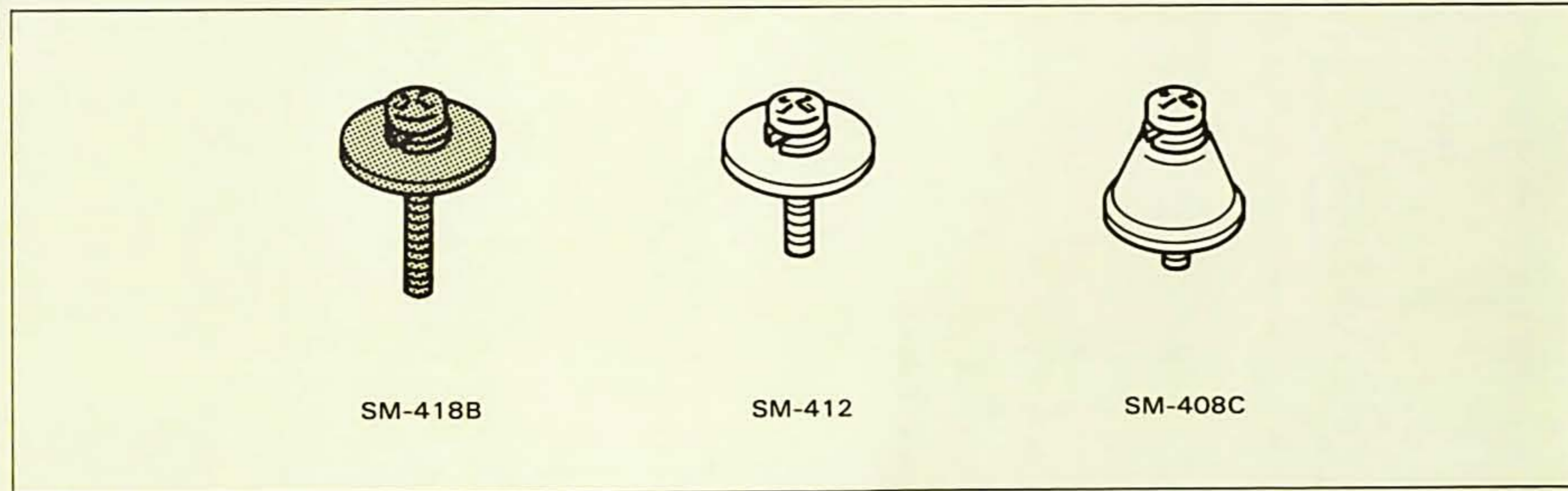
Number	Nut (1-A)	Stopper (1-B)	Application	Number	Nut (1-A)	Stopper (1-B)	Application
HL-65	S-61	ST-01	CZX-5314D, SZX-5314D, MLX-5314D, M-512SE	HL-140	S-61	ST-01	CZX/SZX/MLX/BLX 14" depth Floor Toms & Tom Toms
HL-80	S-61	ST-01	CZX/SZX/MLX/BLX 8" depth Tom Toms, CZX-5314ED	HL-160	S-61	ST-01	CZX/SZX/MLX/BLX 16" depth Floor Toms & Tom Toms
HL-100	S-61	ST-01	CZX/SZX/MLX/BLX 10", 11" depth Tom Toms	HL-180	S-71	ST-03	MLX/BLX 14" depth Bass Drums
HL-120	S-61	ST-01	CZX/SZX/MLX/BLX 12", 13" depth Tom Toms	HL-200	S-71	ST-03	CZX/SZX/MLX/BLX 16" depth Bass Drums
				HL-220	S-71	ST-03	CZX 18" depth Bass Drums

*Lugs for CZX Series are with Brass Swivel Nuts. Add "BP" to each number for CZX Series. ex. HL-65BP, S-61BP



Gaskets

GK-01	Gasket for HL-65	GK-08	Gasket for HL-200	GK-36	Gasket for BT-3	GK-46	Gasket for CL-100
GK-02	Gasket for HL-80	GK-09	Gasket for HL-220	GK-37	Gasket for BB-3	GK-47	Gasket for CL-200
GK-03	Gasket for HL-100	GK-13	Gasket for RL-05	GK-41	Gasket for RL-01	GK-48	Gasket for RL-10
GK-04	Gasket for HL-120	GK-31	Gasket for BT-2	GK-42	Gasket for RL-02	GK-49	Gasket for RL-20
GK-05	Gasket for HL-140	GK-32	Gasket for BB-2	GK-43	Gasket for RL-03	GK-50	Gasket for RL-55 (BR)/RL-65 (BR)
GK-06	Gasket for HL-160	GK-34	Gasket for SP-30	GK-44	Gasket for RL-04	GK-51	Gasket for RL-25
GK-07	Gasket for HL-180	GK-35	Gasket for LB-30	GK-45	Gasket for LB-40	GK-52	Gasket for RL-30

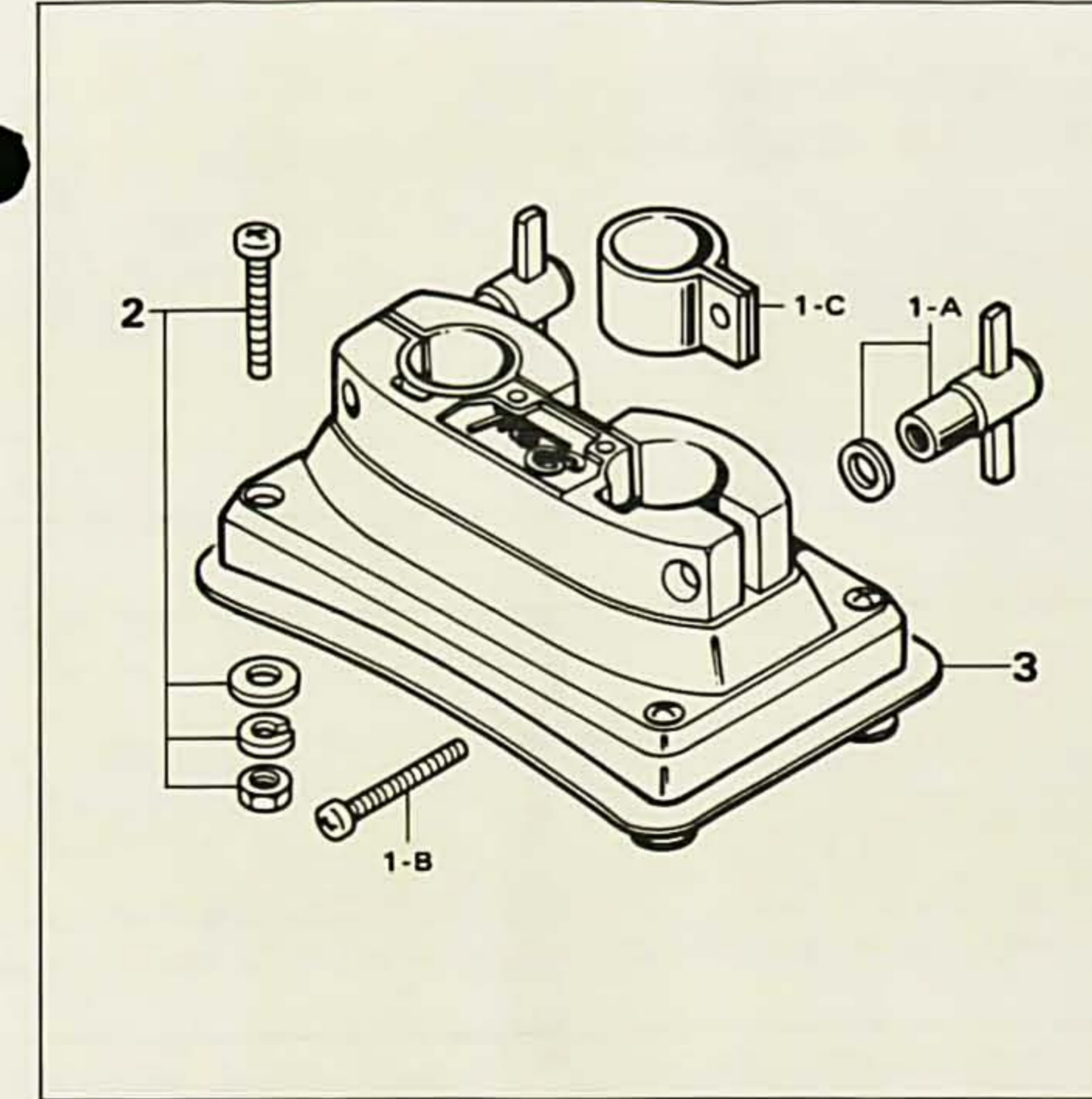


Mounting Screws for Snare Drum Strainers

Number	Length	Application
SM-418B	4mmx18mm	CZX-5314ED(D), M-512SE, SZX-5314D
SM-416B	4mmx16mm	MLX-5314(D), CL-5314(D), M-513P, SLX-614, WSX-614, W-6114
SM-416BR	4mmx16mm	CL-5314D-BR, CL-5314-BR
SM-414B	4mmx14mm	MMX-5314D, MMX/MBX-5114(D)
SM-412BR	4mmx12mm	BH-5214D
SM-410	4mmx10mm	SH-5114(D)
SM-409	4mmx9mm	B/SL-513P, B-5314D, S-6114D
SM-508	5mmx8mm	EPX/EX-614D

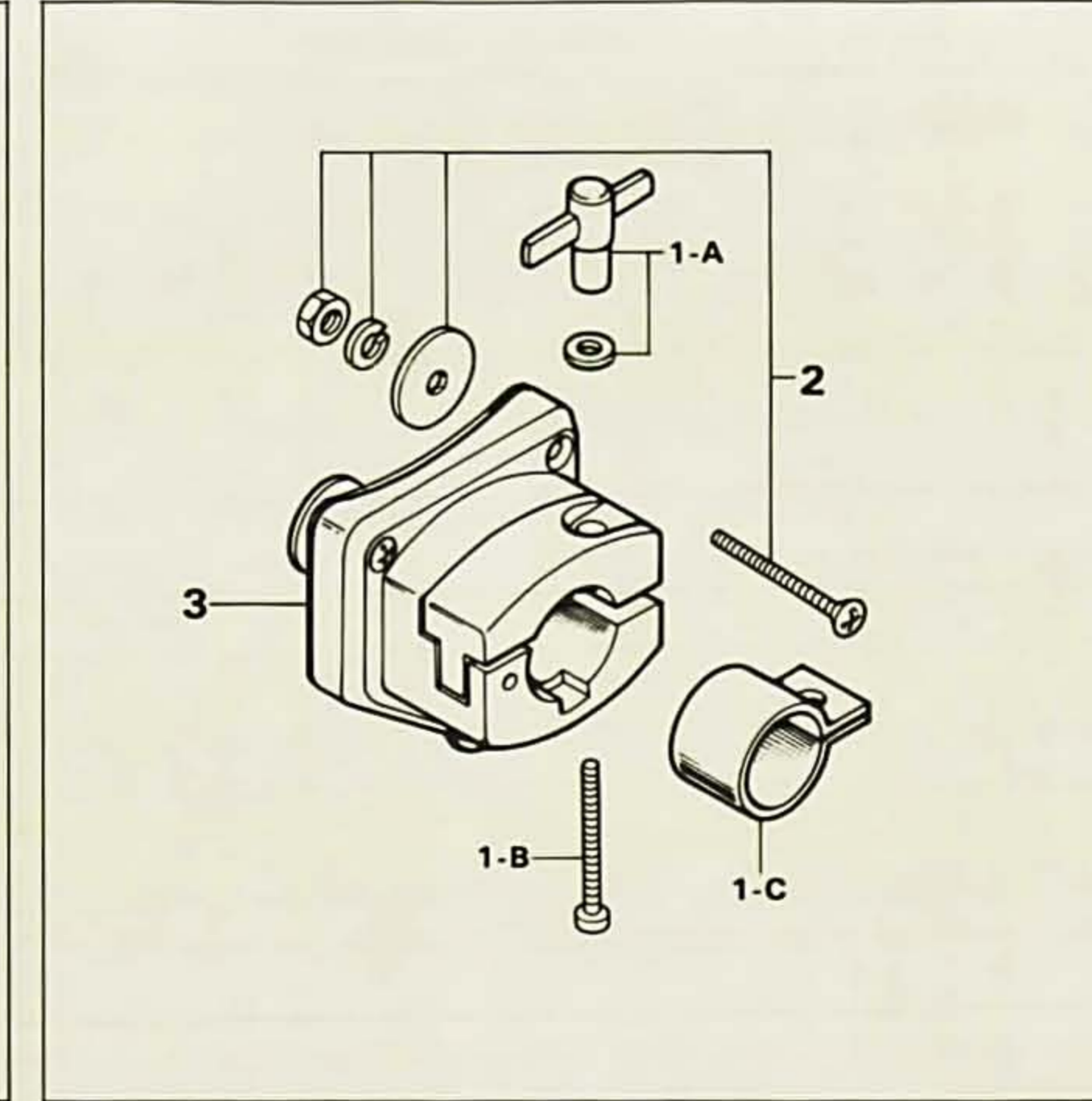
Mounting Screws for Lugs

Number	Length	Application
SM-418B	4mmx18mm	CZX Bass Drums & Floor Toms
SM-416B	4mmx16mm	SZX Bass Drums
SM-414B	4mmx14mm	CZX/SZX Tom Toms (except for CZX-208D), CZX-5314ED(D), M-512SE
SM-412B	4mmx12mm	CZX-208D, CMX/CBX/MLX/BLX/SLX/WSX/SPX/SX Bass Drums, Floor Toms & Tom Toms, CL-5314(D), MLX-5314(D), SLX-614, WSX-614, W-6114, M-513P
SM-409B	4mmx9mm	MMX/MBX Bass Drums, Floor Toms, Tom Toms & Snare Drums
SM-412	4mmx12mm	EPX/EX Bass Drums, Floor Toms & Tom Toms
SM-412BR	4mmx12mm	CL-5314D-BR, CL-5314-BR
SM-410CBR	4mmx10mm	BH-5214D
SM-408C	4mmx8mm	B-5314D, SH-5114(D), S-6114D, EPX/EX-614D, B/SL-513P, Rocket Toms



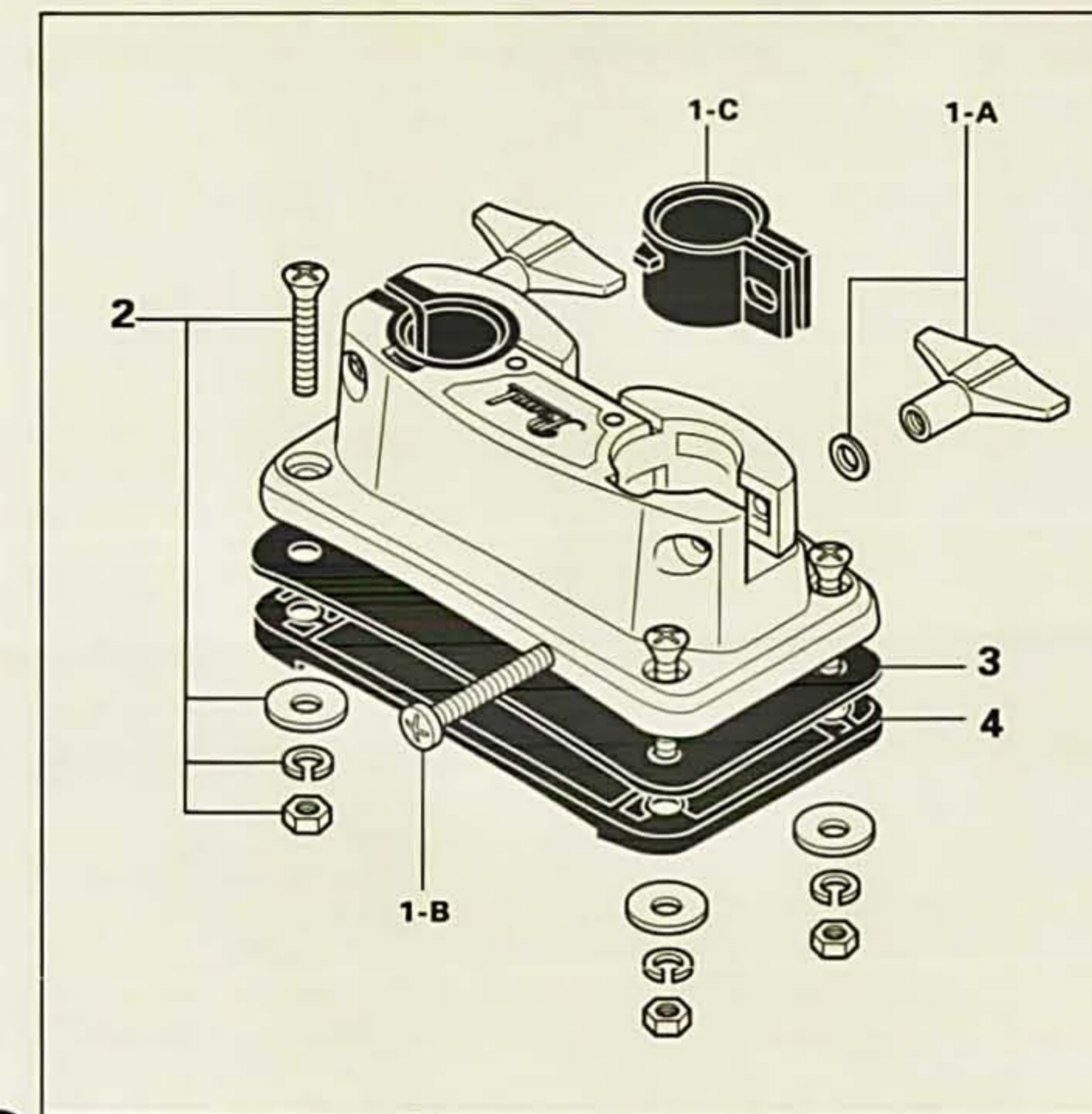
BB-2 Bass Drum Bracket w/Gasket

1-A	M-6M	Wing Nut w/Washer
1-B	SC-640	Clamp Bolt
1-C	NB-7N	Nylon Bushing
2	B-MS	Mounting Screw, Washers & Nut (one each)
3	BB-2B	Set Plate



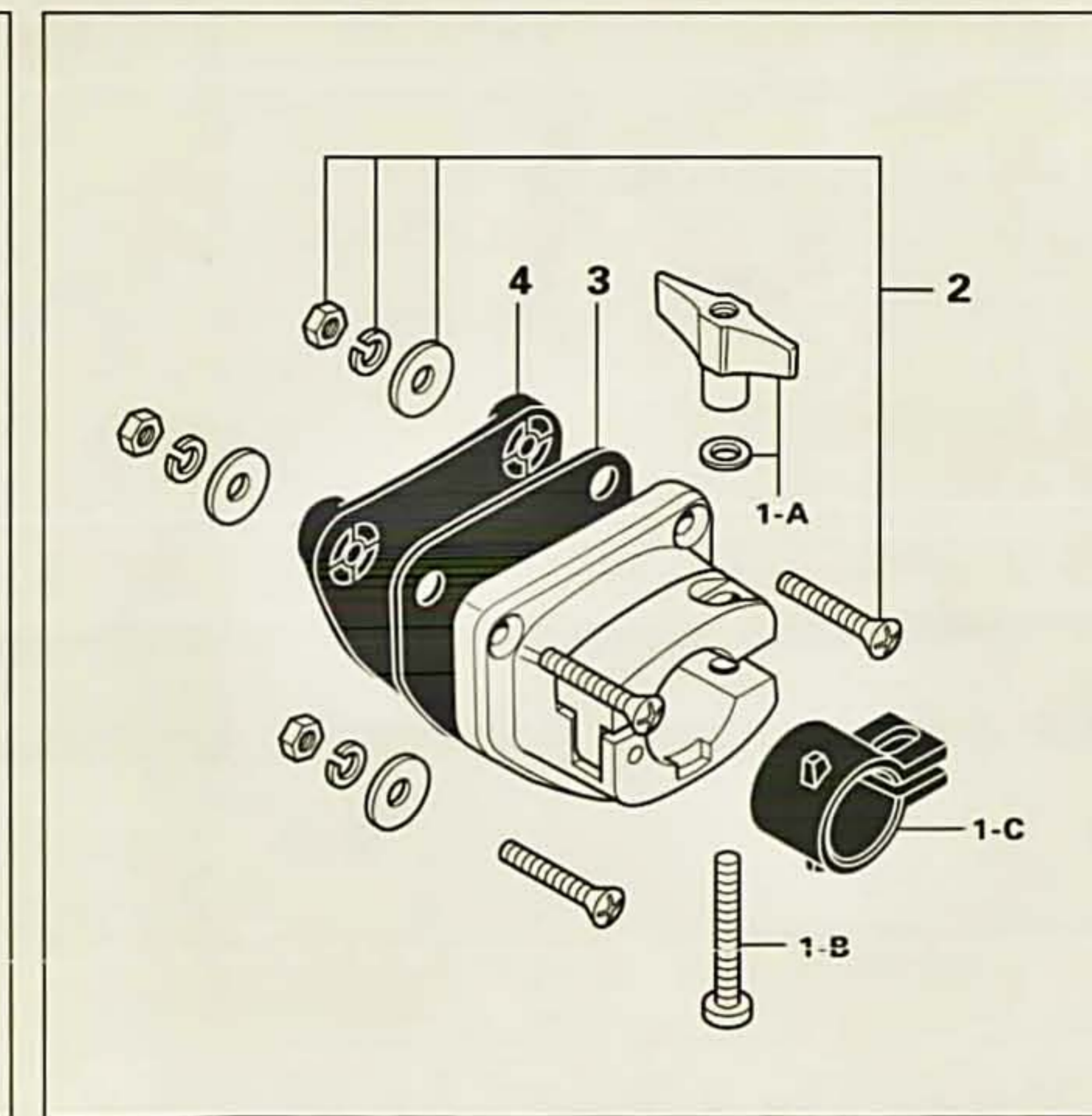
BT-2 Tom Tom Bracket w/Gasket

1-A	M-6M	Wing Nut w/Washer
1-B	SC-640	Clamp Bolt
1-C	NB-7N	Nylon Bushing
2	T-MS	Mounting Screw, Washers & Nut (one each)
3	BT-2B	Set Plate



BB-3 Bass Drum Bracket w/Gasket

1-A	M-6N	Die-Cast Wing Nut w/Washer
1-B	SC-640	Clamp Bolt
1-C	NB-7N	Nylon Bushing
2	B-MS	Mounting Screw, Washers & Nut (one each)
3	GK-37	Gasket
4	NP-185	Set Plate

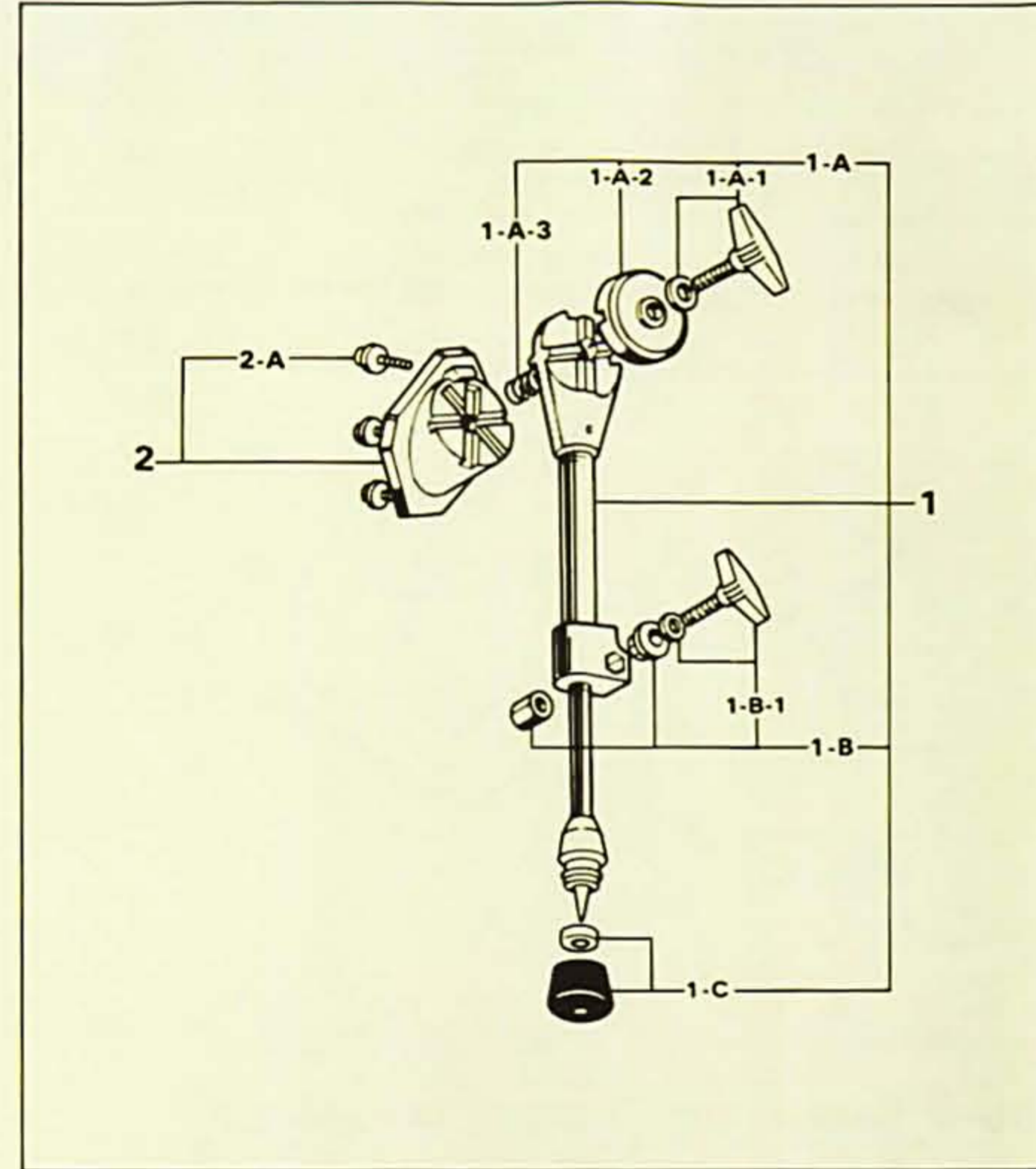


BT-3 Tom Tom Bracket w/Gasket

1-A	M-6N	Die-Cast Wing Nut w/Washer
1-B	SC-640	Clamp Bolt
1-C	NB-7N	Nylon Bushing
2	T-MS	Mounting Screw, Washers & Nut (one each)
3	GK-36	Gasket
4	NP-186	Set Plate

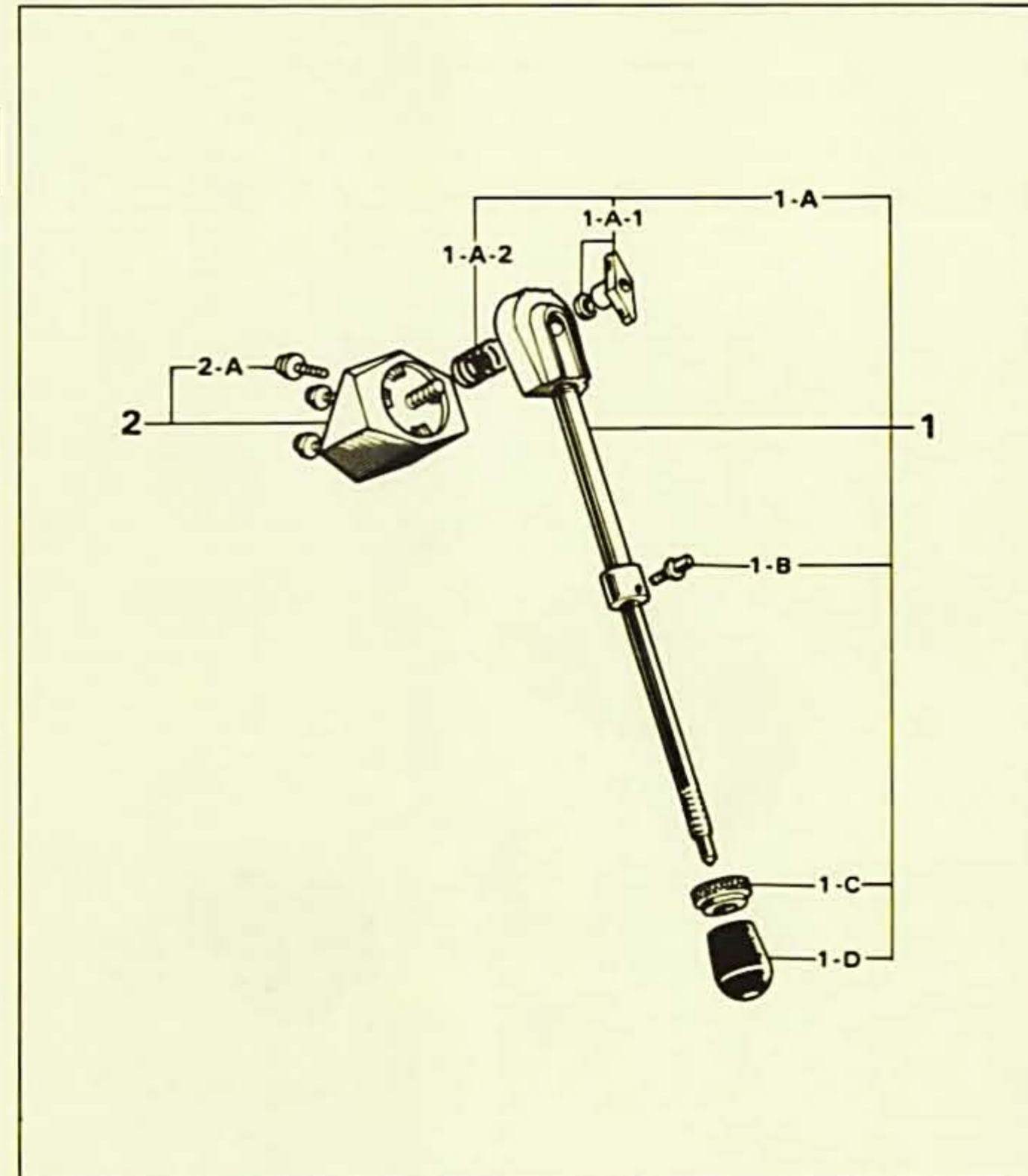
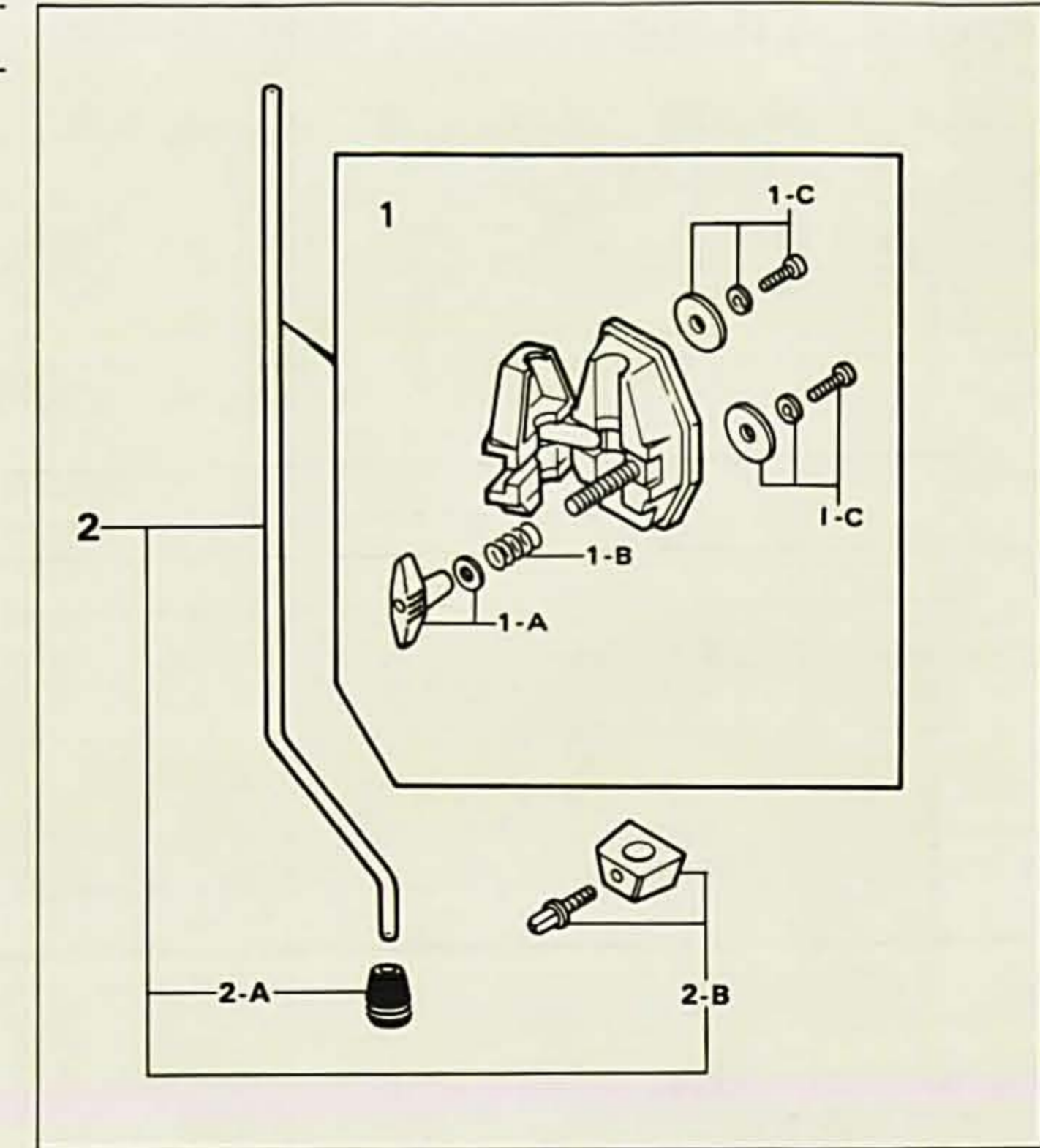
SP-30 Bass Drum Spur w/Gasket

- 1 SP-30A Spur Assy. Complete
- 1-A SP-30B Die-Cast Wing Bolt Set
- 1-A-1 M-835N Die-Cast Wing Bolt w/Washer
- 1-A-2 SP-30C Outer Cap
- 1-A-3 SP-020 Spring
- 1-B SP-30D Die-Cast Wing Bolt Set
- 1-B-1 M-628N Die-Cast Wing Bolt w/Washer
- 1-C R-30A Rubber Tip w/Washer
- 2 SP-30E Spur Bracket Complete
- 2-A S-BA Mounting Screw w/Washers (one each)



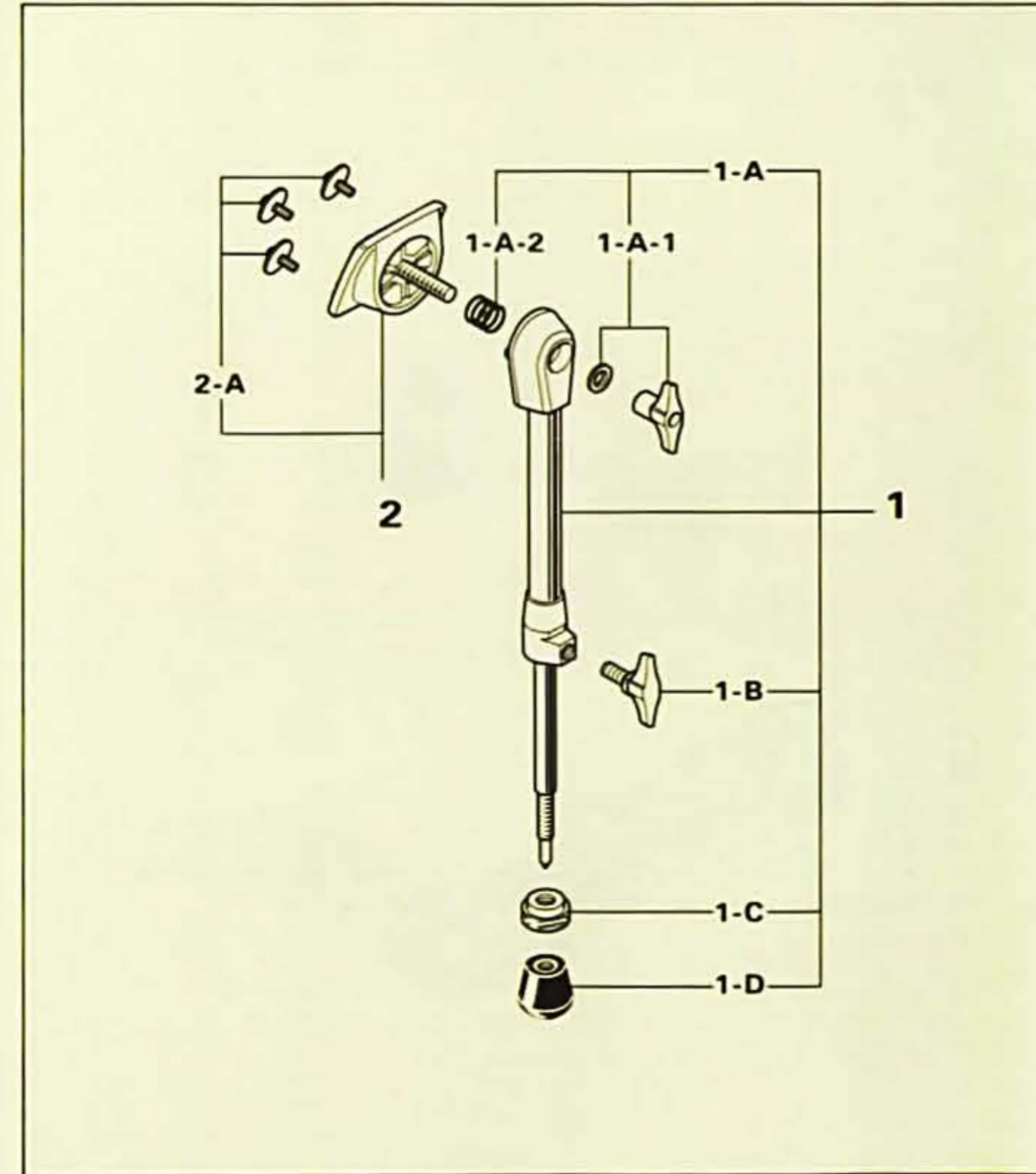
Floor Tom Leg Bracket w/Gasket & Leg

- 1 LB-30 Floor Tom Leg Bracket Assy. Complete
- 1-A M-6N Die-Cast Wing Nut w/Washer
- 1-B SP-33 Spring
- 1-C LBS-2S Mounting Screw w/Washers (one each)
- 2 LG-30 Floor Tom Leg Complete w/Stop Lock & Rubber Tip
- 2-A LBR-1 Rubber Tip
- 2-B LG-30S Stop Lock



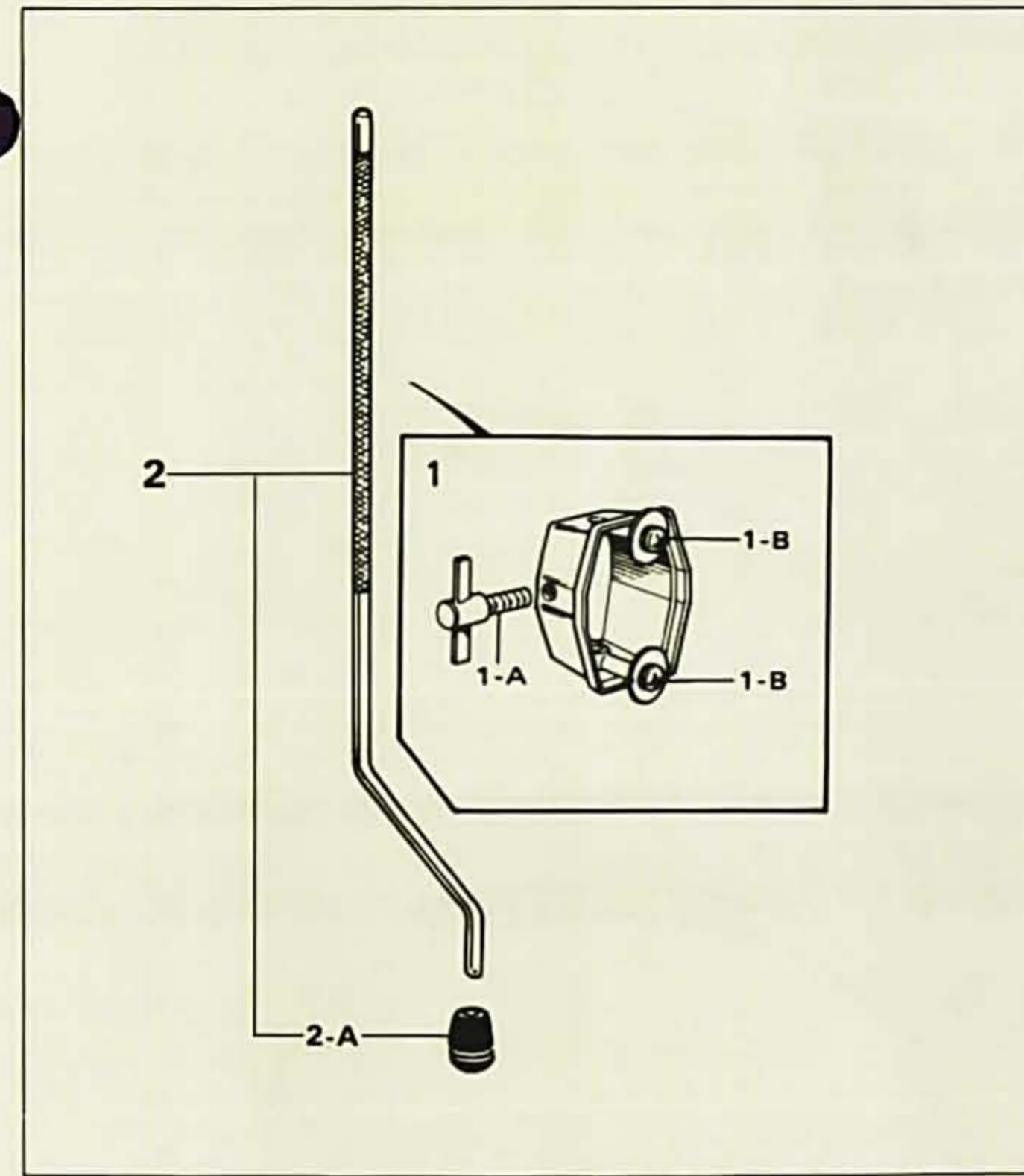
730M Bass Drum Spur

- 1 730-MA Spur Assy. Complete
- 1-A 730-MB Die-Cast Wing Nut Set
- 1-A-1 M-8AN Die-Cast Wing Nut w/Washer
- 1-A-2 SP-032 Spring
- 1-B KB-610 Key Bolt
- 1-C RHA-1T Lock Nut
- 1-D RHS-1R Rubber Tip
- 2 730-ME Spur Bracket Complete
- 2-A S-BA Mounting Screw w/Washers (one each)



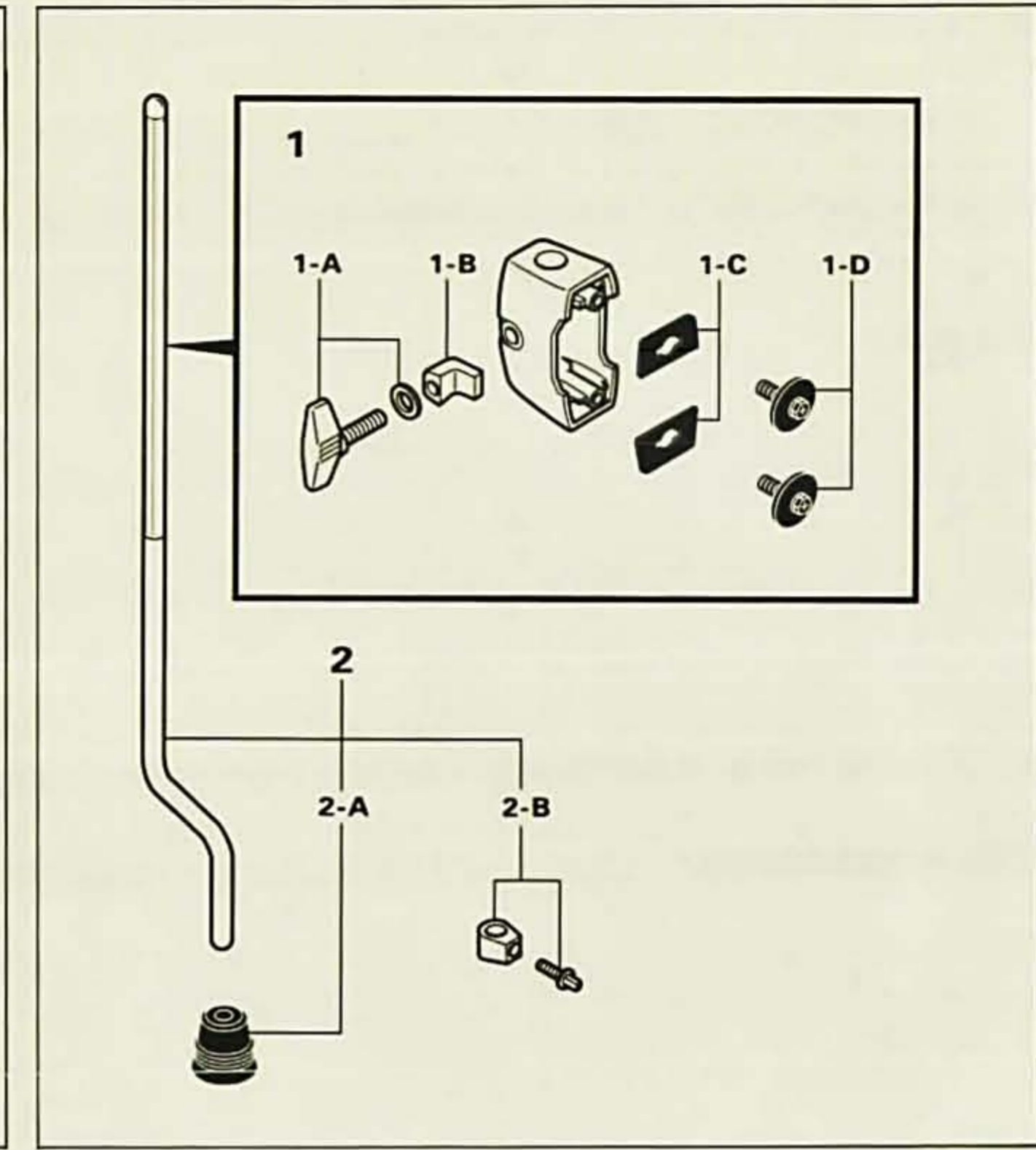
SP-20 Bass Drum Spur w/Gasket

- 1 SP-20A Spur Assy. Complete
- 1-A SP-20B Die-Cast Wing Nut Set
- 1-A-1 M-8AN Die-Cast Wing Nut w/Washer
- 1-A-2 SP-54 Spring
- 1-B M-815N Die-Cast Wing Bolt
- 1-C RHA-1T Lock Nut
- 1-D RHS-1R Rubber Tip
- 2 SPB-20A Spur Bracket Complete
- 2-A S-BA Mounting Screw w/Washers (one each)



Floor Tom Leg Bracket & Leg

- 1 LB-15 Floor Tom Leg Bracket Assy. Complete
- 1-A M-8LB Wing Bolt
- 1-B LBS-3S Mounting Screw w/Washers (one each)
- 2 782 Floor Tom Leg Complete w/Rubber Tip
- 2-A R-5 Rubber Tip



Floor Tom Leg Bracket w/Gasket & Leg

- 1 LB-40 Floor Tom Leg Bracket Assy. Complete
- 1-A M-615N Die-Cast Wing Bolt w/Washer
- 1-B DC-337 Lock Nut
- 1-C GK-45 Gasket (one each)
- 1-D SC-230 Mounting Screw w/Washers (one each)
- 2 LG-04 Floor Tom Leg Complete w/Stop Lock & Rubber Tip
- 2-A R-5 Rubber Tip
- 2-B LG-04S Stop Lock

Bass Drum Hoops

Number	Dia.	Description
WOOD HOOPS		
RIM-18W	18"	without Inlay
RIM-20W	20"	without Inlay
RIM-22W	22"	without Inlay
RIM-24W	24"	without Inlay
BLACK METAL HOOPS		
RIM-18RB	18"	with Inlay
RIM-20RB	20"	with Inlay
RIM-22RB	22"	with Inlay
RIM-24RB	24"	with Inlay

Stainless Steel Hoops

Number	Dia.	Description	Number	Dia.	Description
SS-0805	8"	5 Rods	SS-1410S	14"	10 Rods, Snare Side
SS-1006	10"	6 Rods	SS-1410SG	14"	10 Rods, Snare Side
SS-1206	12"	6 Rods	SS-1508	15"	8 Rods
SS-1306	13"	6 Rods	SS-1608	16"	8 Rods
SS-1408	14"	8 Rods	SS-1808	18"	8 Rods
SS-1410	14"	10 Rods, Batter Side			

Brass Hoops

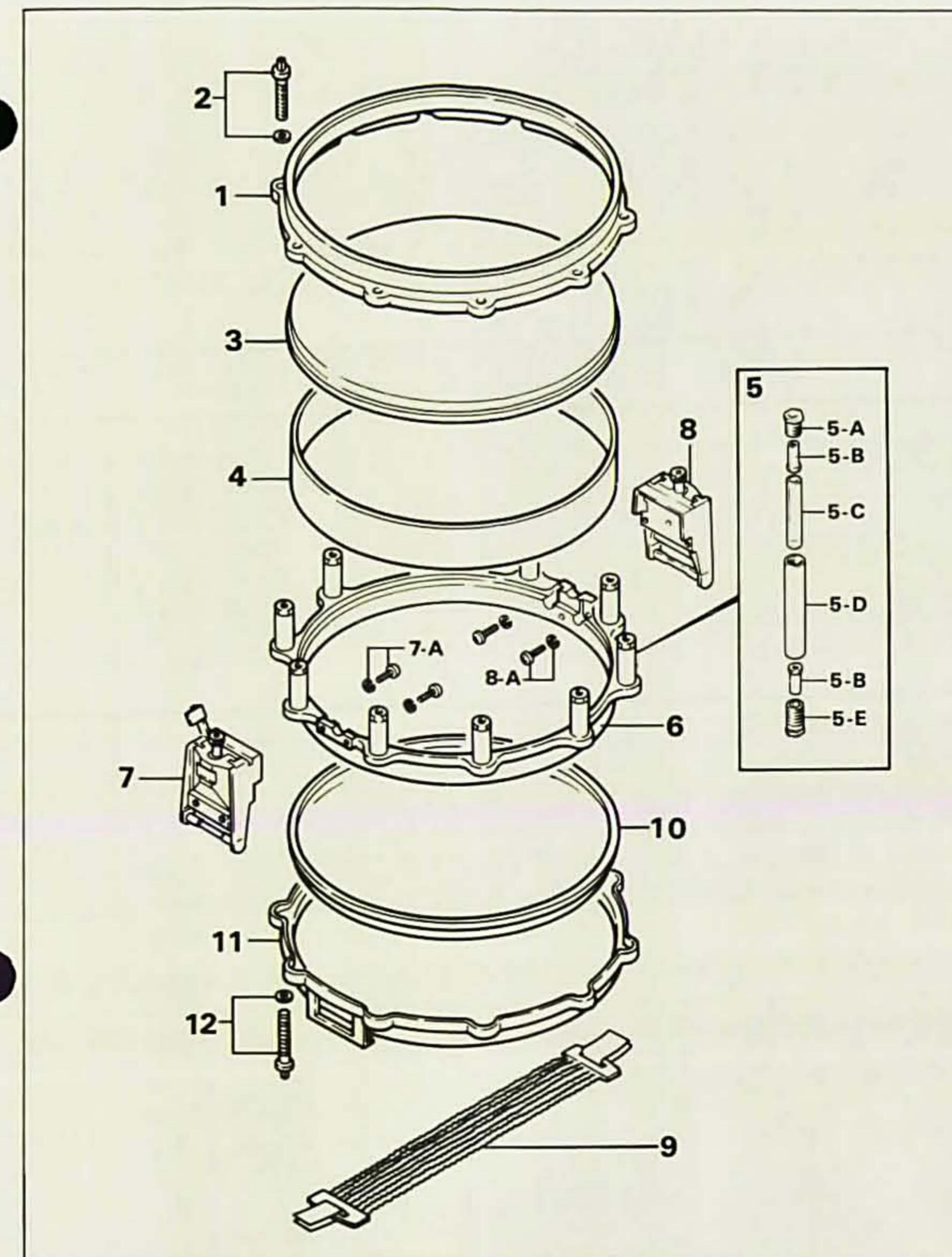
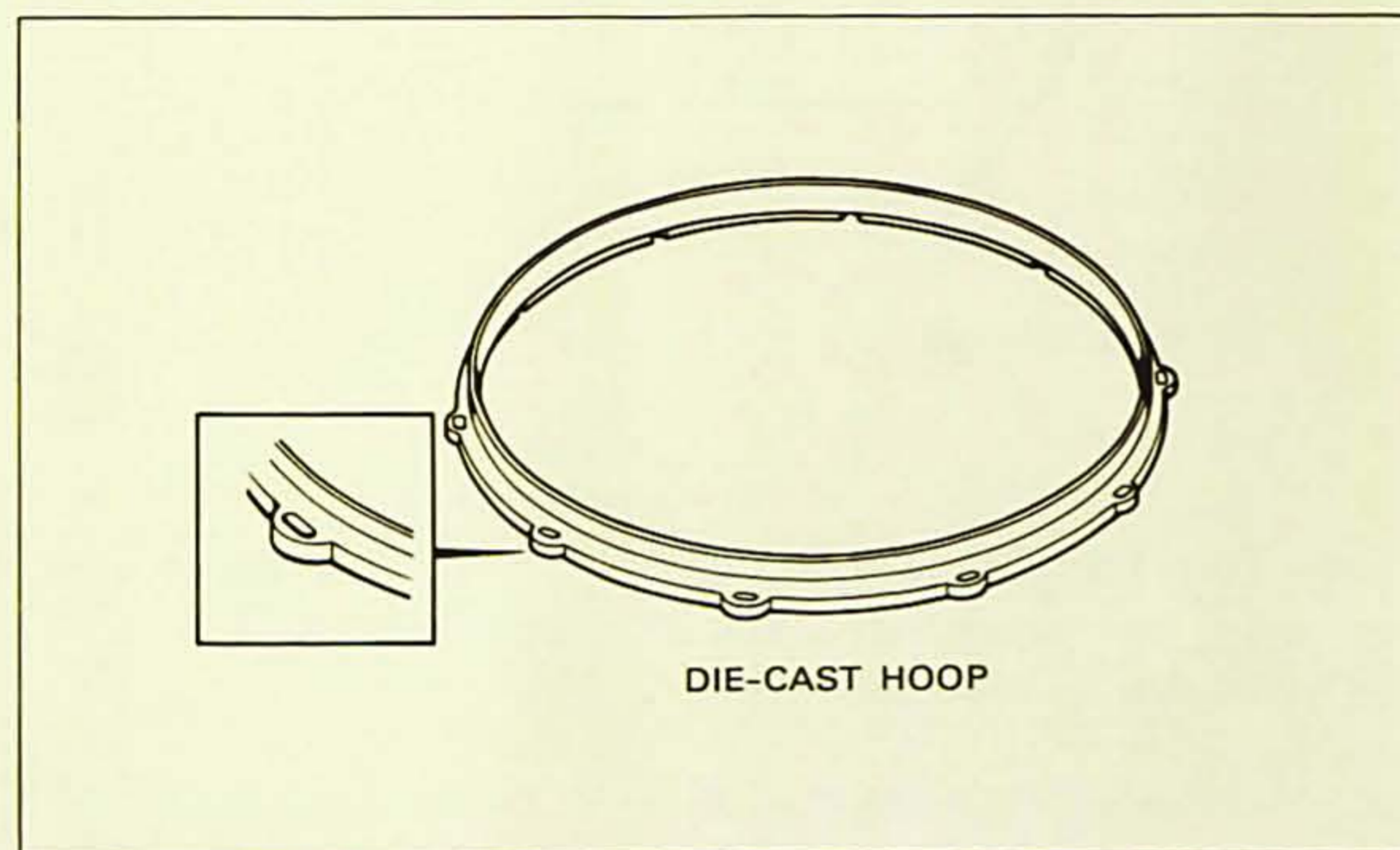
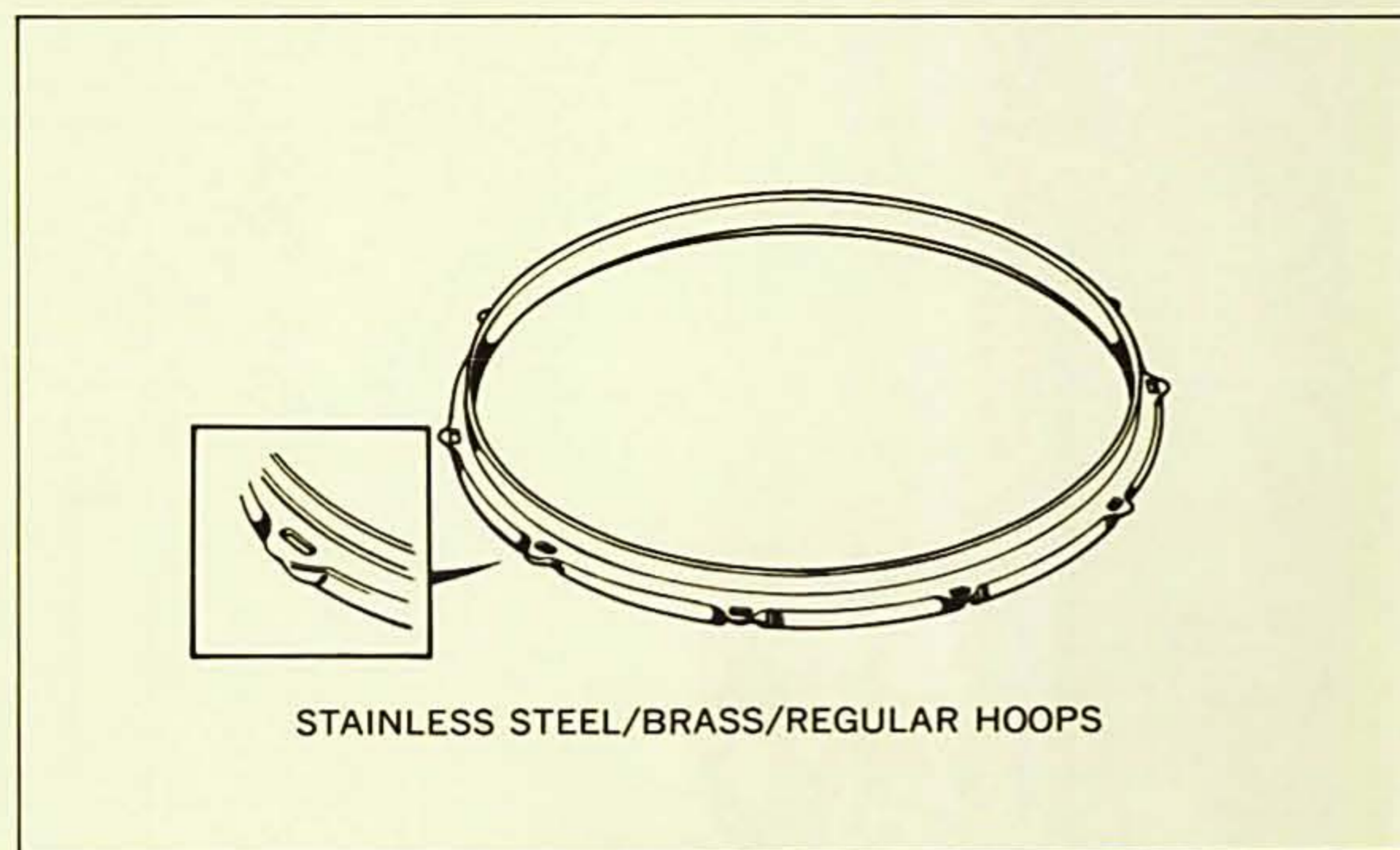
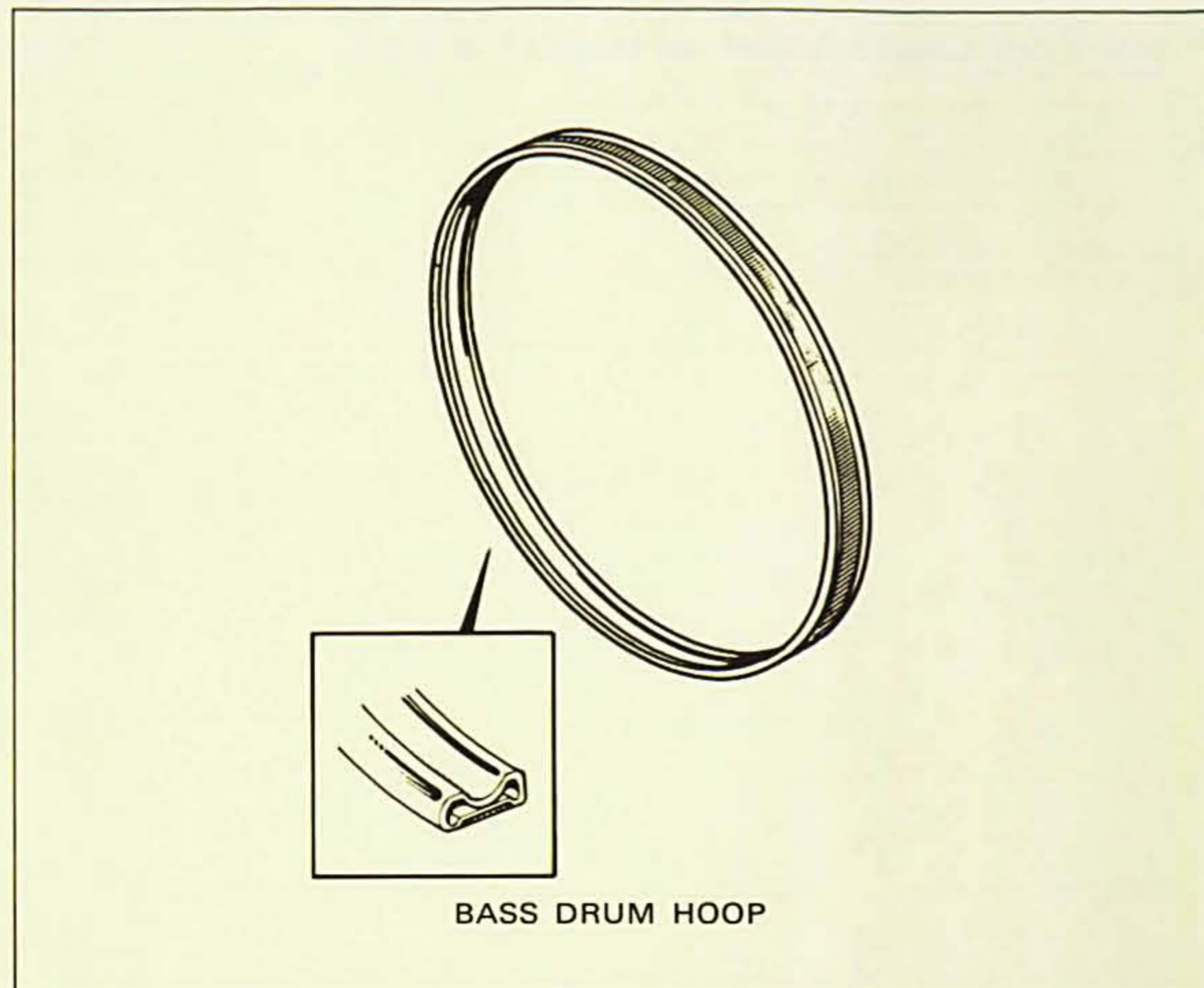
Number	Dia.	Description
RIM-1408BRB	14"	8 Rods, Batter Side
RIM-1408BRS	14"	8 Rods, Snare Side
RIM-1410BRB	14"	10 Rods, Batter Side
RIM-1410BRS	14"	10 Rods, Snare Side

Regular Hoops

Number	Dia.	Description	Number	Dia.	Description
RIM-0804	8"	4 Rods	RIM-1406	14"	6 Rods
RIM-1006	10"	6 Rods	RIM-1408B	14"	8 Rods, Batter Side
RIM-1206	12"	6 Rods	RIM-1408S	14"	8 Rods, Snare Side
RIM-1208B	12"	8 Rods, Batter Side	RIM-1410B	14"	10 Rods, Batter Side
RIM-1208S	12"	8 Rods, Snare Side	RIM-1410S	14"	10 Rods, Snare Side
RIM-1306	13"	6 Rods	RIM-1508	15"	8 Rods
RIM-1308B	13"	8 Rods, Batter Side	RIM-1608	16"	8 Rods
RIM-1308S	13"	8 Rods, Snare Side	RIM-1808	18"	8 Rods

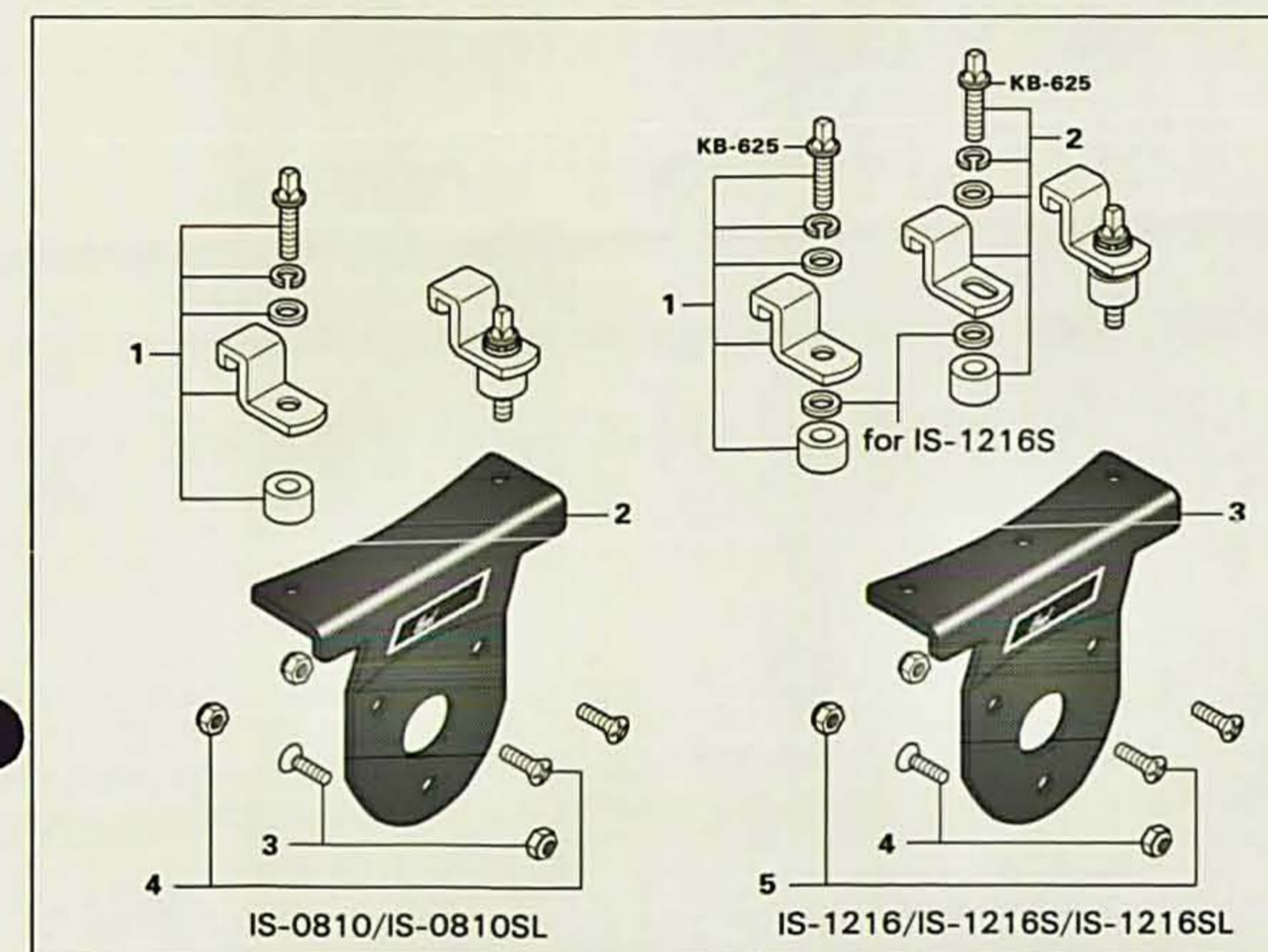
Die-Cast Hoops

Number	Dia.	Description
DC-14T	14"	10 Rods, Batter Side
DC-14B	14"	10 Rods, Snare Side



Free Floating System Snare Drum

- 1 T-060 Hoop for Batter Side
- 2 T-060 Tension Key Rod w/Washer
- 3 Head for Batter Side
- 4 Shell
- 5 FT-35 Lug Post for 3 1/2" Depth Snare Drum
- FT-50 Lug Post for 5" Depth Snare Drum
- FT-65 Lug Post for 6 1/2" Depth Snare Drum
- FT-80 Lug Post for 8" Depth Snare Drum
- 5-A DC-288A Lock Nut (Batter Side)
- 5-B S-65 Lug Nut (one each)
- 5-C NP-154 Vinyl Tube for FT-35
- NP-155 Vinyl Tube for FT-50
- NP-156 Vinyl Tube for FT-65
- NP-157 Vinyl Tube for FT-85
- 5-D FTP-35 Lug Pipe ONLY (FT-35)
- FTP-50 Lug Pipe ONLY (FT-50)
- FTP-65 Lug Pipe ONLY (FT-65)
- FTP-80 Lug Pipe ONLY (FT-80)
- 5-E DC-288B Lock Nut (Snare Side)
- 6 ARC-1410 Aluminum Ring Chassis
- 7 S-10A Release Side Assy. Complete of S-010 Strainer
- 7-A SN-614 Mounting Screw w/Washer (one each)
- 8 S-10B Butt Side Assy. Complete of S-010 Strainer
- 8-A SN-614 Mounting Screw w/Washer (one each)
- S-025 High Carbon Steel Wire Snare w/Plastic Straps
- 10 Head for Snare Side
- 11 Hoop for Snare Side
- 12 T-060 Tension Key Rod w/Washer

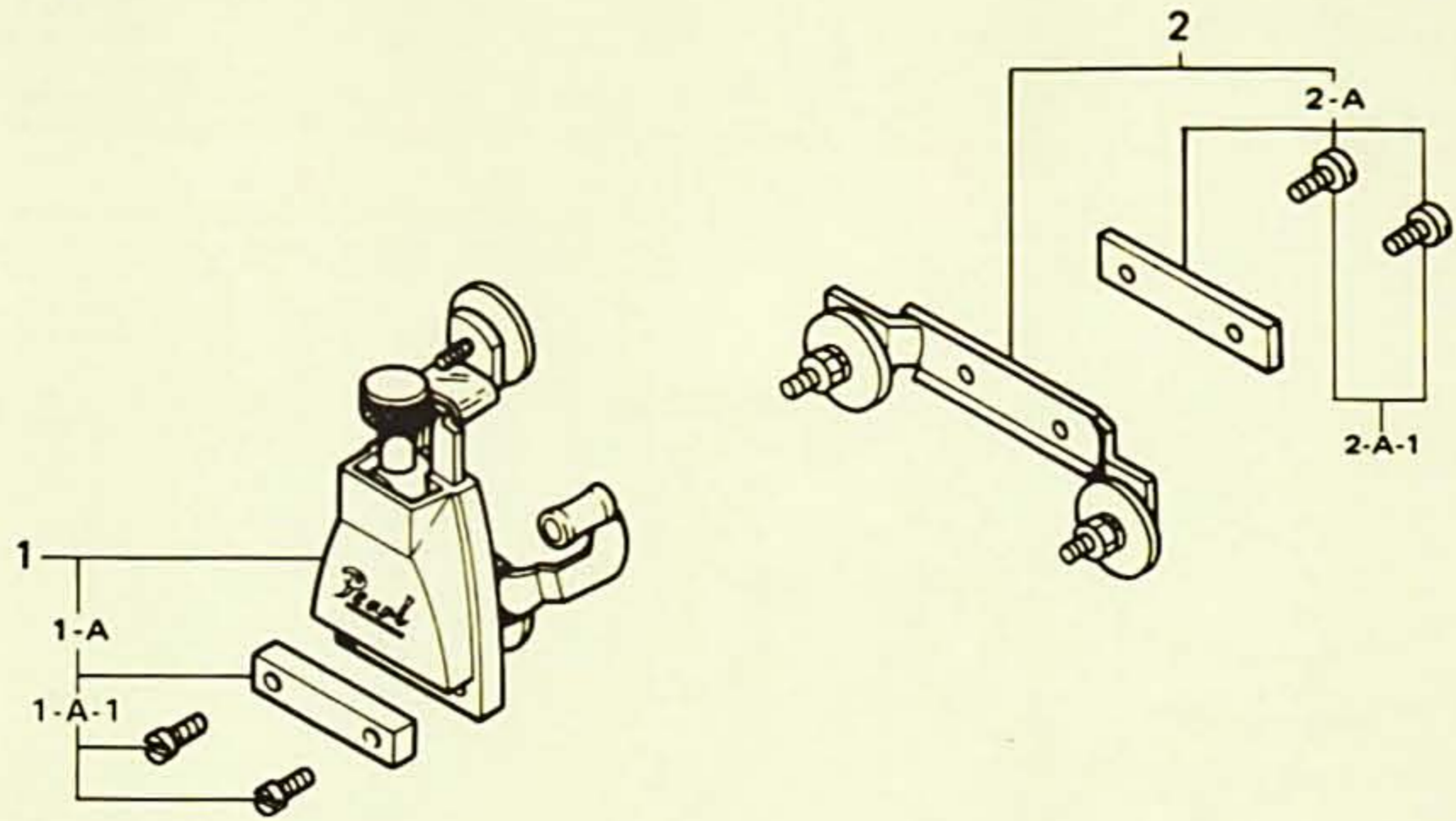


IS-0810/IS-0810SL (8" ~ 10")

- 1 HS-8ST Rim Hook w/Spacer Assy. Complete (8" ~ 10" Steel Hoops & Super Hoops)
- HS-8SL Rim Hook w/Spacer Assy. Complete (8" ~ 10" Stainless Steel Hoops)
- 2 MP-812 Bracket Mounting Plate (for BT-2)
- MP-813 Bracket Mounting Plate (for BT-3)
- 3 IS-MS Bottom Bolt & Nut Complete
- 4 IS-MSU Upper Bolt & Nut Complete

IS-1216/IS-1216S/IS-1216SL (12" ~ 16")

- 1 HS-12ST Rim Hook w/Spacer Assy. Complete (12" ~ 16" Steel Hoops)
- HS-12SP Rim Hook w/Spacer Assy. Complete (12" ~ 16" Super Hoops)
- HS-8SL Rim Hook w/Spacer Assy. Complete (12" ~ 16" Stainless Steel Hoops)
- 2 HS-16ST Slotted Rim Hook w/Spacer Assy. Complete (12" ~ 16" Steel Hoops)
- HS-16SP Slotted Rim Hook w/Spacer Assy. Complete (12" ~ 16" Super Hoops)
- HS-16SL Slotted Rim Hook w/Spacer Assy. Complete (12" ~ 16" Stainless Steel Hoops)
- 3 MP-814 Bracket Mounting Plate (for BT-2)
- MP-815 Bracket Mounting Plate (for BT-3)
- 4 IS-MS Bottom Bolt & Nut Complete
- 5 IS-MSU Upper Bolt & Nut Complete

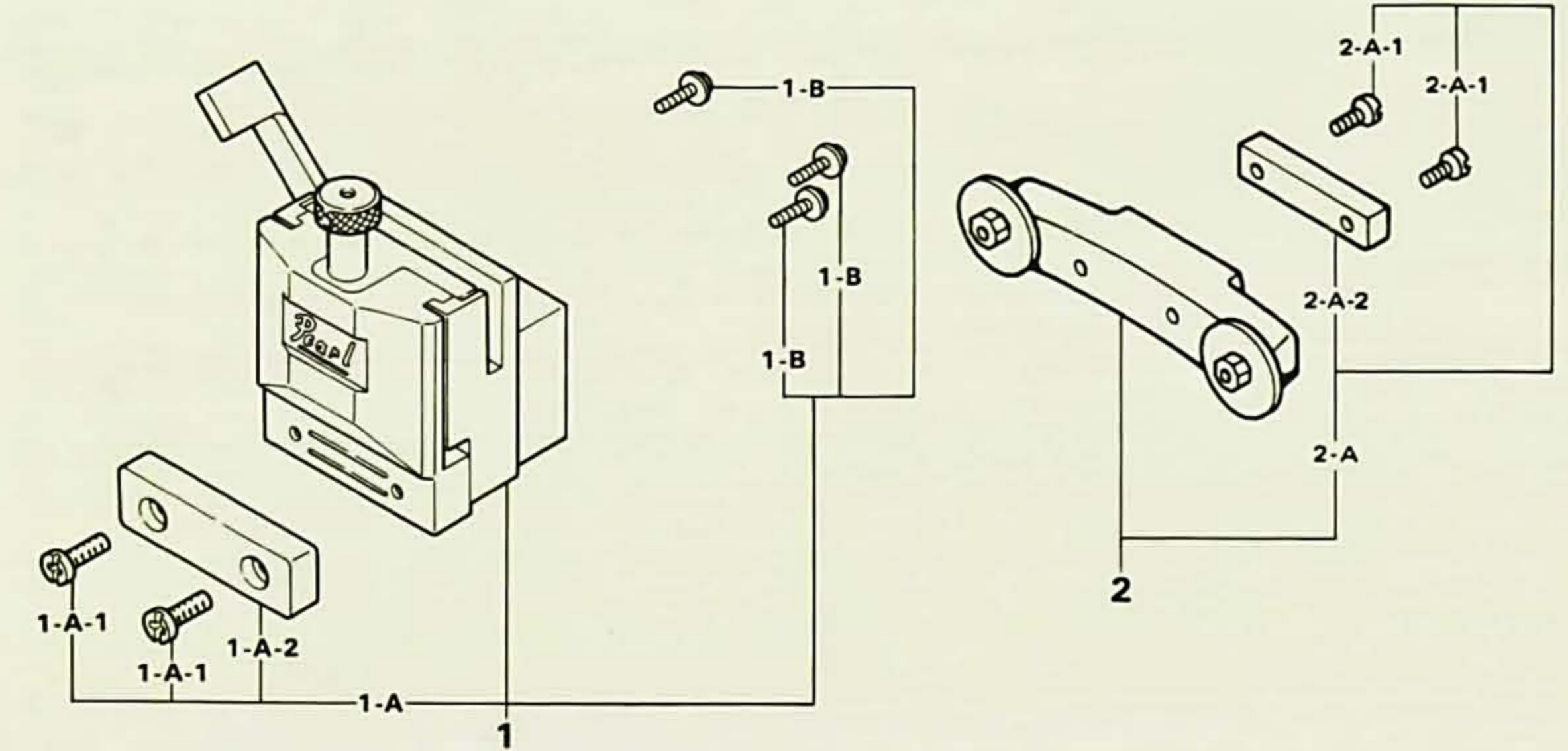


S-014N Snare Strainer

- 1 S-14NRA Release Side Assy. Complete
- 1-A S-14B Snare Mounting Plate w/Screws
- 1-A-1 S-11N Screw (one each)
- 2 S-14BA Butt Side Assy. Complete

- 2-A S-14D Snare Mounting Plate w/Screws
- 2-A-1 S-11N Screw (one each)
- * S-022 High Carbon Steel Wire Snare w/Plastic Straps

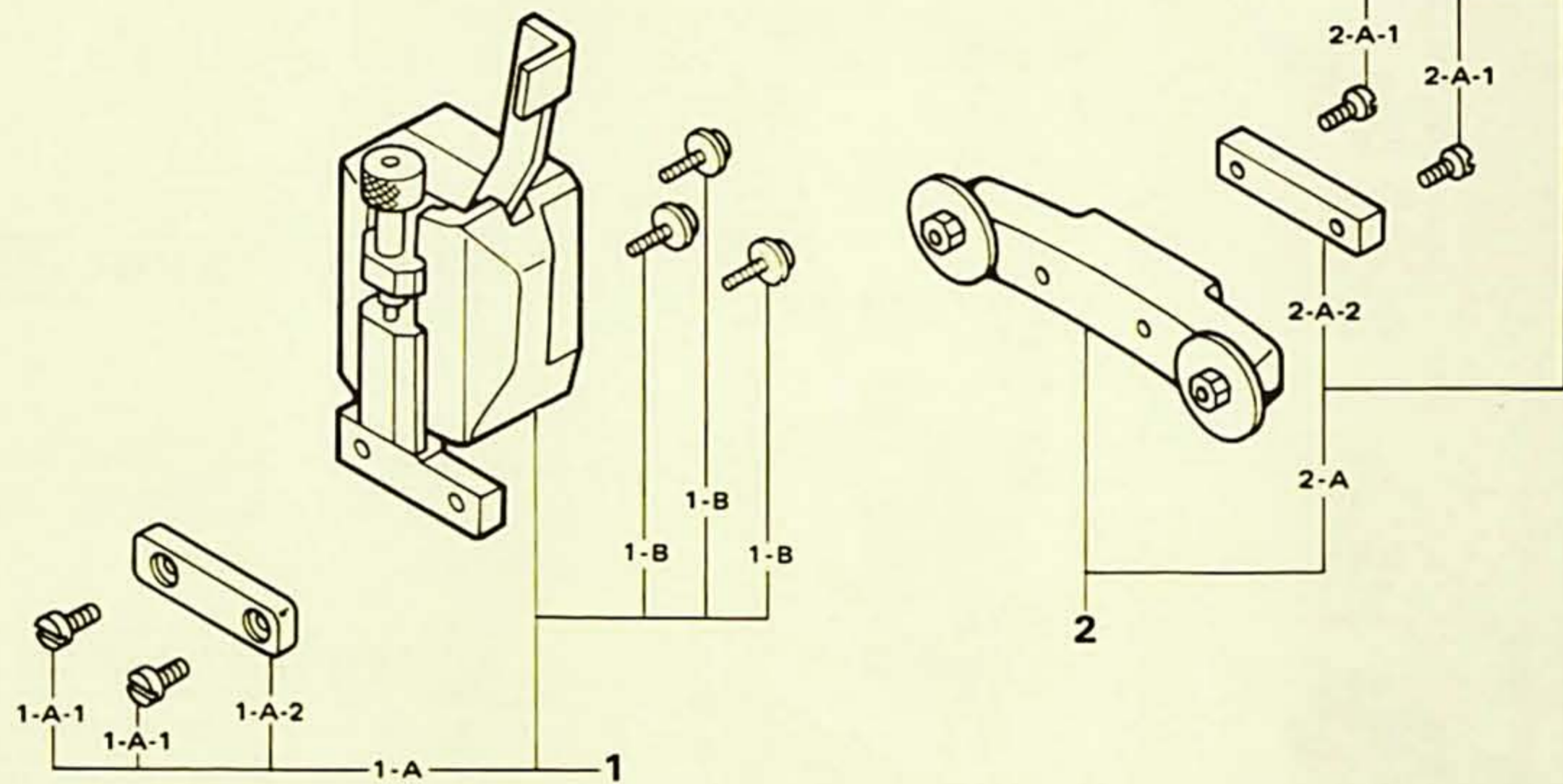
• Please refer to the Mounting Screws (P.26).



S-016 Snare Strainer w/Gasket

- 1 S-16A Release Side Assy. Complete
- 1-A S-16B Snare Mounting Plate w/Screws
- 1-A-1 S-11N Screw (one each)
- 1-A-2 S-16C Snare Mounting Plate
- 1-B SM-416B Mounting Screw (for M-513P ONLY)
- SM-409 Mounting Screw (for B/SL-513P)

- 2 S-12E Butt Side Assy. Complete
- 2-A S-12F Snare Mounting Plate w/Screws
- 2-A-1 S-11N Screw (one each)
- 2-A-2 S-12H Snare Mounting Plate
- * S-029N High Carbon Steel Wire Snare w/Cords



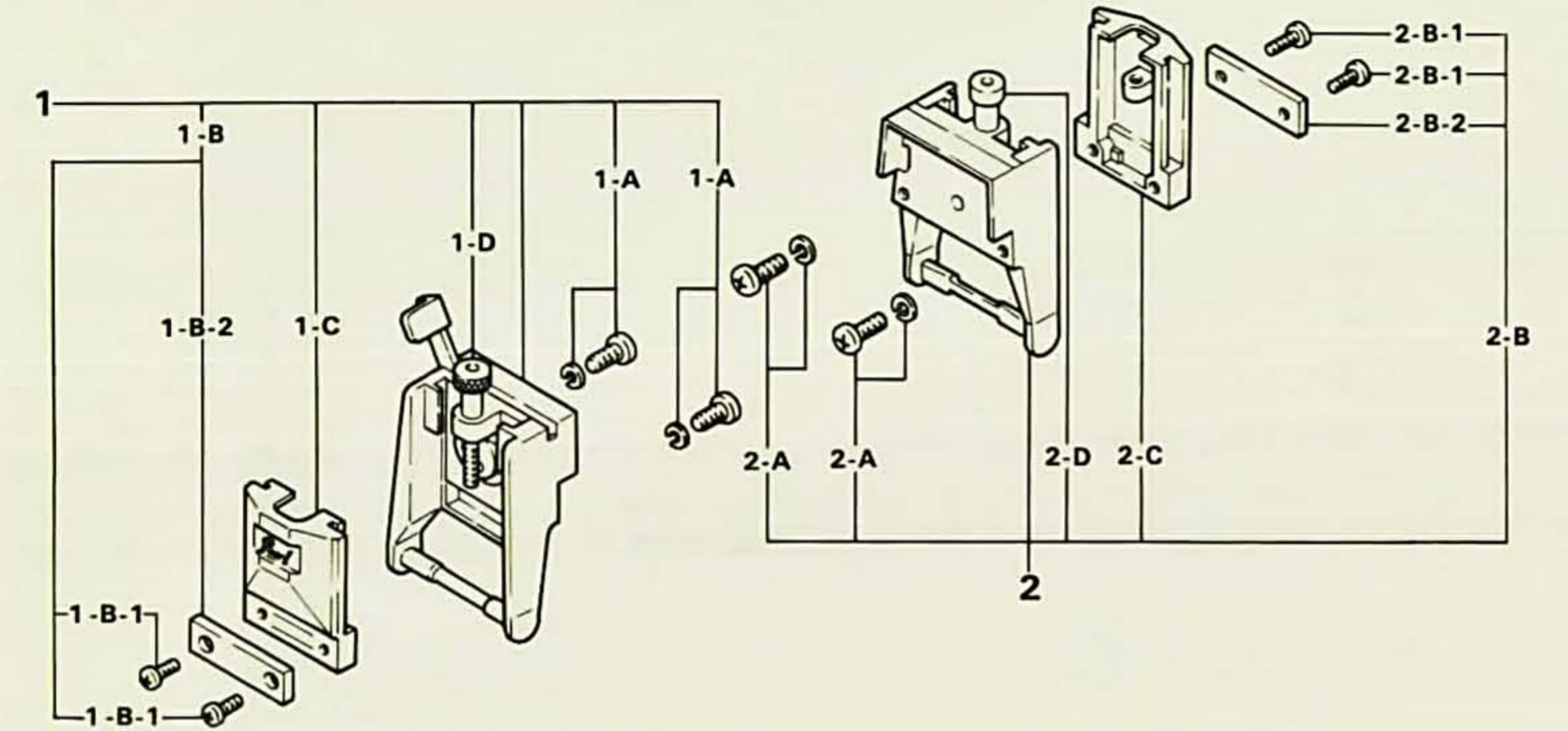
S-012/*S-012BR Snare Strainer w/Gasket

*Add "BR" to each number for S-012BR (Brass Plated).

- 1 S-12A Release Side Assy. Complete
- 1-A S-12B Snare Mounting Plate w/Screws
- 1-A-1 S-11N Screw (one each)
- 1-A-2 S-12D Snare Mounting Plate
- 1-B SM-416B Mounting Screw (one each)

- 2 S-12E Butt Side Assy. Complete
- 2-A S-12F Snare Mounting Plate w/Screws
- 2-A-1 S-11N Screw (one each)
- 2-A-2 S-12H Snare Mounting Plate
- * S-022 High Carbon Steel Wire Snare w/Plastic Straps
- S-022N High Carbon Steel Wire Snare w/Cords
- S-022G Gold Plated High Carbon Steel Wire Snare w/Plastic Straps

• Please refer to the Mounting Screws (P.26).



S-010 Snare Strainer

- 1 S-10A Release Side Assy. Complete
- 1-A SN-614 Mounting Screw w/Washer (one each)
- 1-B S-16B Snare Mounting Plate w/Screws
- 1-B-1 S-11N Screw (one each)
- 1-B-2 S-16C Snare Mounting Plate
- 1-C S-10C Cover for Release Side Assy.
- 1-D S-10D Snare Adjustment Bolt Assy.

- 2 S-10B Butt Side Assy. Complete
- 2-A SN-614 Mounting Screw w/Washer (one each)
- 2-B S-16B Snare Mounting Plate w/Screws
- 2-B-1 S-11N Screw (one each)
- 2-B-2 S-16C Snare Mounting Plate
- 2-C S-10C Cover for Butt Side Assy.
- 2-D S-10D Snare Adjustment Bolt Assy.
- * S-025 High Carbon Steel Wire Snare w/Plastic Straps