

Pearl[®]

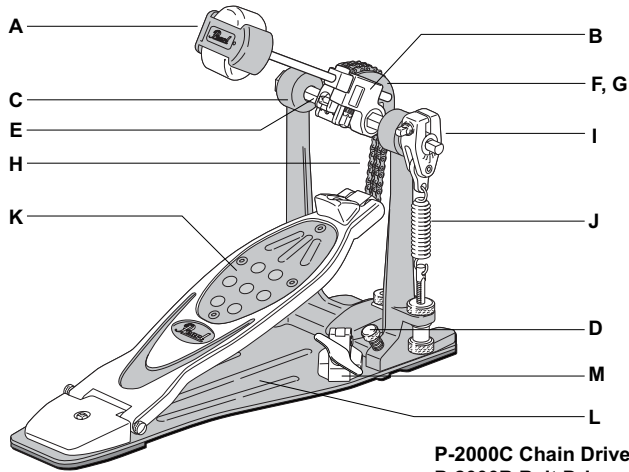
PEARL DRUMS
Spare Parts Catalog
2007

CONTENTS

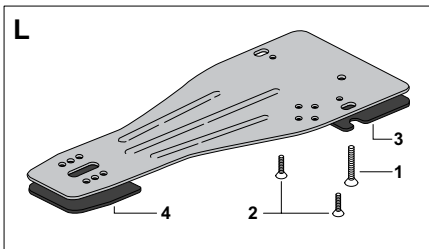
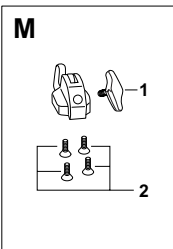
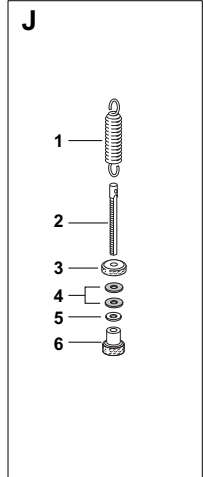
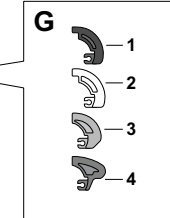
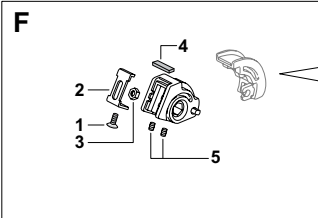
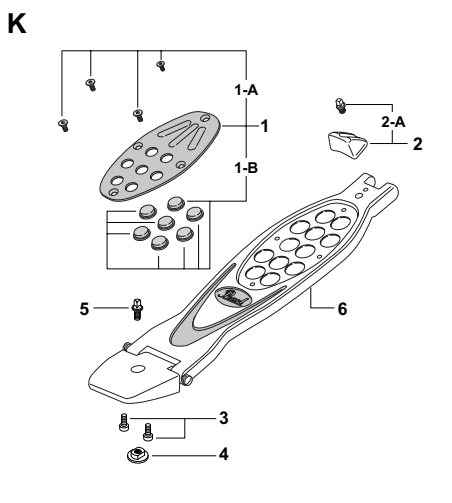
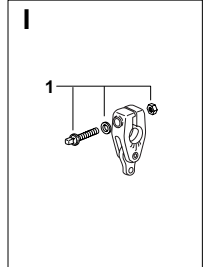
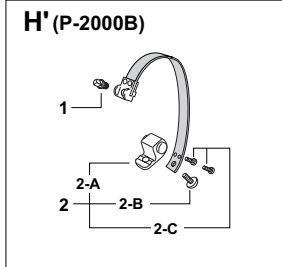
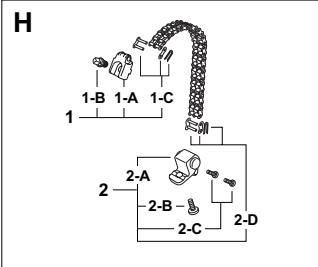
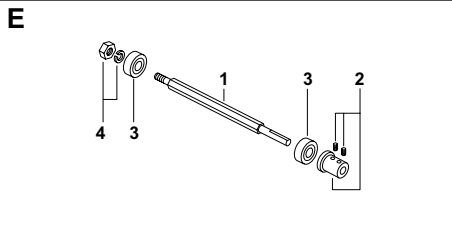
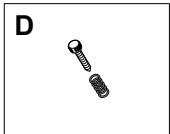
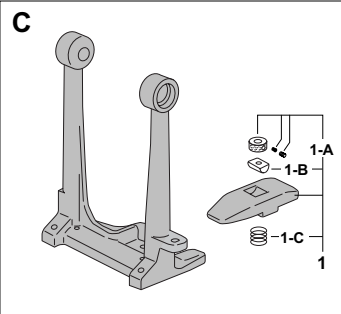
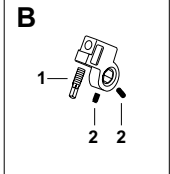
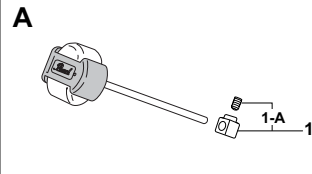
DRUM PEDALS	2~12
HI-HAT STANDS	13~19
HI-HAT ACCESSORIES	20
ACCESSORIES	21
SNARE STANDS	22~24
DRUM THRONES	25~28
CYMBAL BOOM STANDS	29~32
CYMBAL STANDS	33~34
CYMBAL HOLDERS	35~36
TOM STANDS	37~38
TOM HOLDERS	38~39
ADAPTERS	40
DRUM RACKS, PIPE CLAMPS, RACK JOINT	41~42
OPTIMOUNT, I.S.S.	43~44
TOM HOLDER BASSES, BRACKETS	44
F.F.S. SNARE DRUM	45
BASS DRUM SPURS	46
FLOOR TOM LEG BRACKETS, LEGS	47~48
STOP LOCKS, SNARE WIRES	48
STRAINERS	49~50
LUGS, BOLTS, TENSION CLAWS	51~52
PRACTICE PADS	53
HOOPS	54

DRUM PEDALS

P-2000C / P-2000B



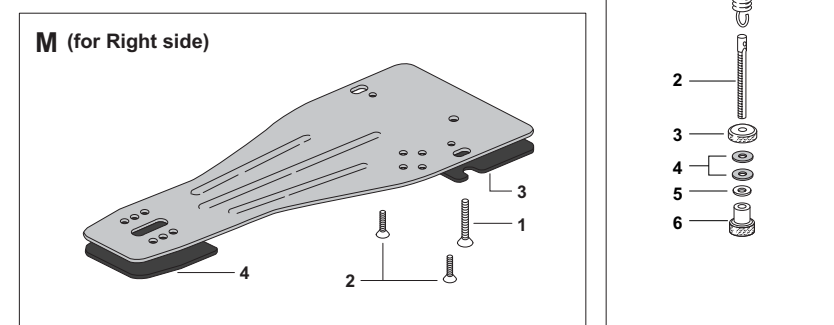
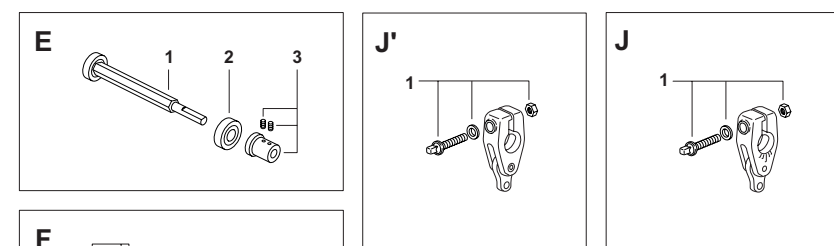
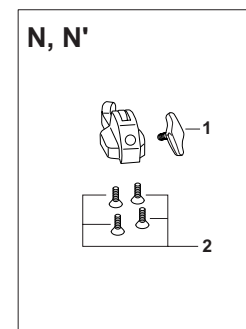
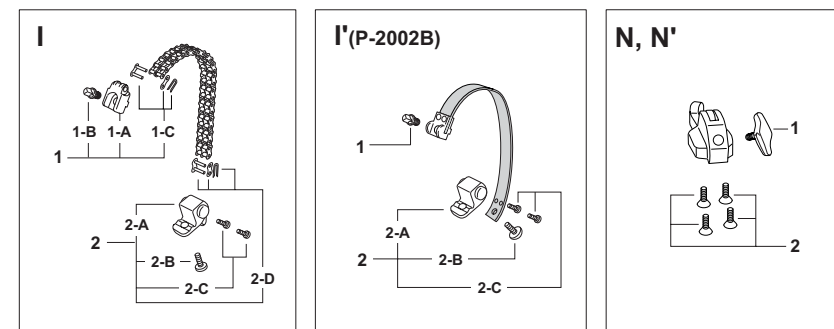
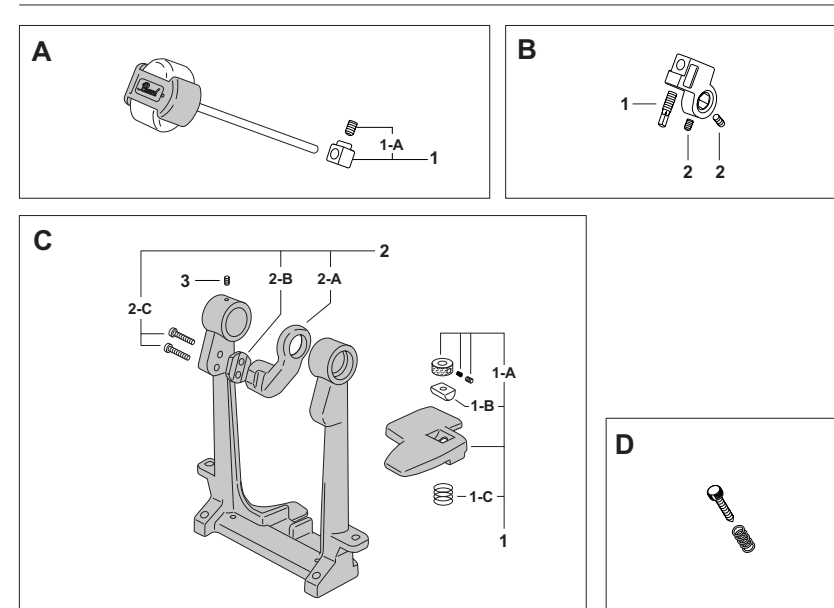
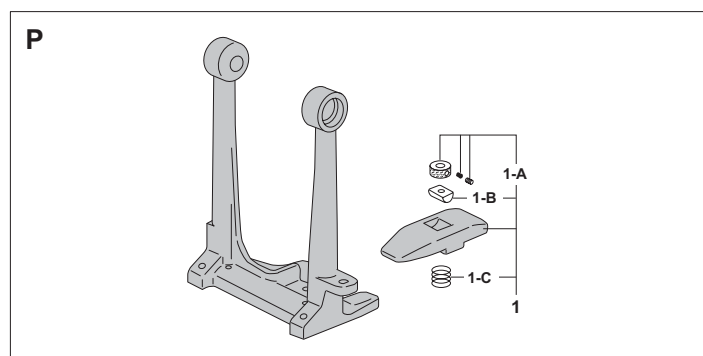
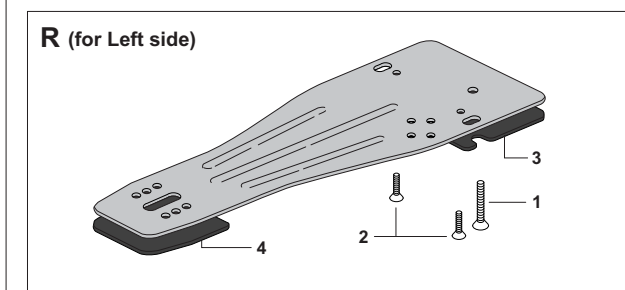
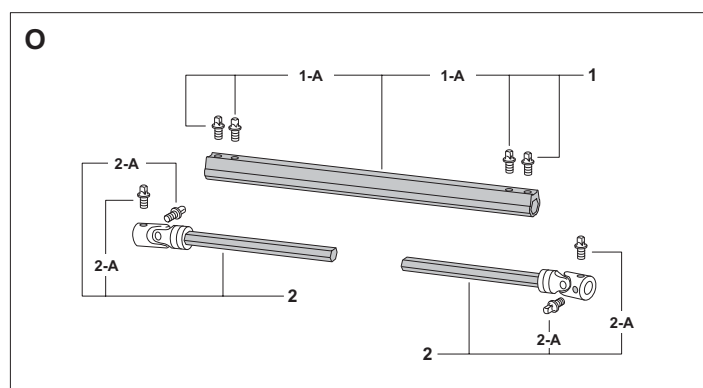
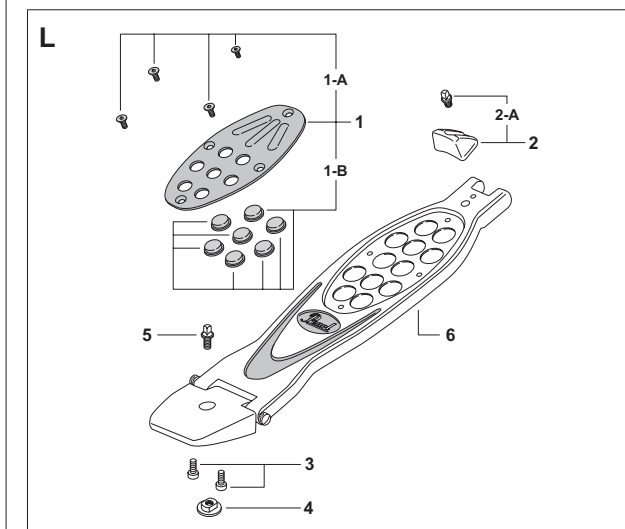
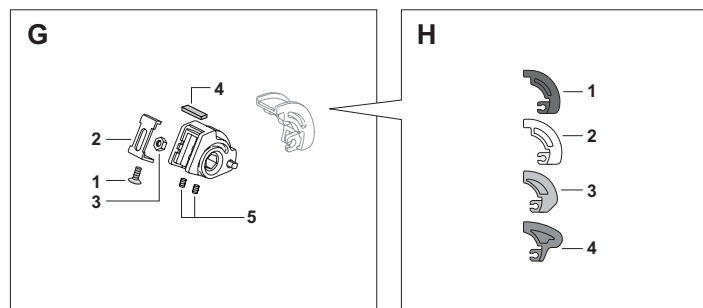
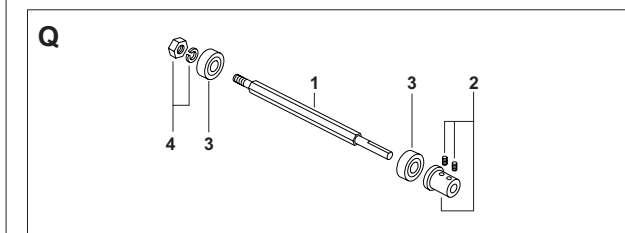
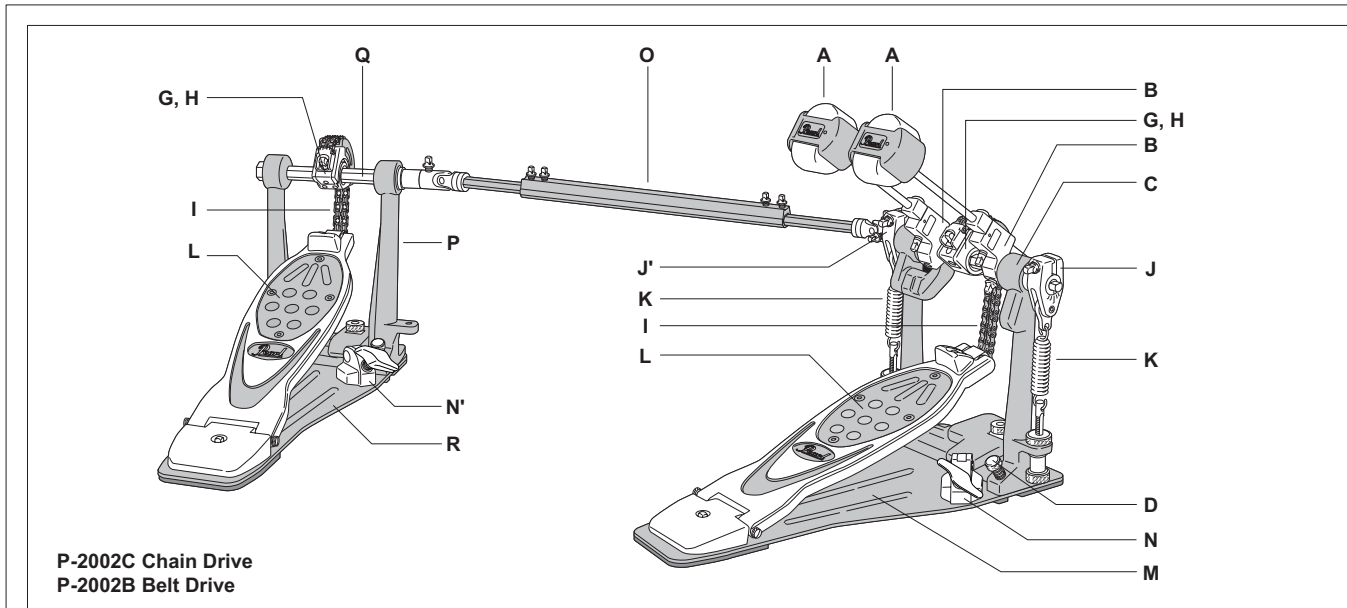
P-2000C Chain Drive
P-2000B Belt Drive



- | | | | | | | | | |
|----------|-----------------|--------------------------------------|-----------|-----------------|--|----------|-----------------|--------------------------------------|
| A | B-200QB | Quad Beater, Complete | G | CAM-BK | Interchangeable Cam | J | SPA-64AN | Spring Assy. Complete |
| 1 | DC-394A | Beater Setting Stopper Assy. | 1 | CAM-WT | Black Cam | 1 | SP-64F | Spring (w/Felt) ONLY |
| 1-A | SB-66 | Allen Screw | 2 | CAM-BL | White Cam | 2 | ME-499 | Adjustment Bolt |
| B | DC-395NA | Beater Holder Link, complete | 3 | CAM-RD | Blue Cam | 3 | ME-500 | Upper Nut |
| 1 | KB-814 | Key Bolt | 4 | CAM-RD | Red Cam | 4 | NP-407 | Washers (pair) |
| 2 | SB-66 | Allen Screw (one each) | H | CCA-5 | Double Chain Assy. Complete / P-2000C | 5 | WS-27 | Lock Washer |
| C | DC-513A | Pedal Frame w/Hoop Clamp | 1 | DC-511AA | Chain Connecting Bracket Assy. (Top) | 6 | ME-391 | Lower Nut |
| 1 | DC-514A | Hoop Clamp Assy. | 1-A | DC-511A | Chain Connecting Bracket ONLY (Top) | K | FB-2000A | Footboard Assy. Complete |
| 1-A | ME-505A | Adjustment Knob Assy. | 1-B | KB-508 | Key Bolt (short) | 1 | AL-24A | Traction Plate Assy. |
| 1-B | ME-507 | Pivot block | 1-C | ME-244 | Chain End Connector Assy. | 1-A | SC-363L | Mounting Screw (one each) |
| 1-C | SP-032 | Spring | 2 | DC-511BA | Chain Connecting Bracket Assy. (Bottom) | 1-B | NP-283N | Traction Grip (one each) |
| D | LT-636 | Anchor Screw w/Spring | 2-A | DC-511B | Chain Connecting Bracket ONLY (Bottom) | 2 | DC-508A | Toe Stopper Assy. |
| E | ME-501A | Hexagonal Axle Assy. | 2-B | SC-357 | Screw | 2-A | KB-508 | Key bolt |
| 1 | ME-501 | Hexagonal Axle ONLY | 2-C | SC-284 | Screw (one each) | 3 | SC-261 | Screw (one each) |
| 2 | ME-393N | Axle Sleeve w/Allen Screws | 2-D | ME-244 | Chain End Connector Assy. | 4 | DC-398 | Heel Position Adjust Nut |
| 3 | NU-07B | Bearing (one each) | H' | BCA-1 | Belt Assy. Complete / P-2000B | 5 | KB-608 | Key Bolt |
| 4 | BSA-3 | End Nut w/Washer | 1 | KB-512 | Key Bolt (long) | 6 | DC-512SN | Footboard Assy. ONLY |
| F | DC-509A | Aluminum Wheel Assy. Complete | 2 | DC-510BA | End Connector Assy. (Bottom) | L | PR-548A | Power Plate Assy. Complete |
| 1 | SC-327H | Flat-head Screw | 2-A | DC-510B | End Connector ONLY | 1 | SC-325 | Screw |
| 2 | PR-546 | Slider Bracket | 2-B | SC-357 | Screw | 2 | SC-149 | Screw (one each) |
| 3 | NU-10 | Hexagonal Nut | 2-C | SC-287 | Screw (one each) | 3 | NP-284S | Rubber Mat (Front) |
| 4 | FE-40C | Felt | I | DC-396NA | Uni-Lock Beater Angle Cam, Complete | 4 | NP-285 | Rubber Mat (Heel) |
| 5 | SB-66 | Allen Screw (one each) | 1 | KB-630A | Bolt & Nut Set | M | DC-399S | Hoop Clamp Cam Assy. Complete |
| | | | | | | 1 | UGB-820C | Die-Cast Wing Bolt |
| | | | | | | 2 | SC-191BN | Screw (one each) |

DRUM PEDALS

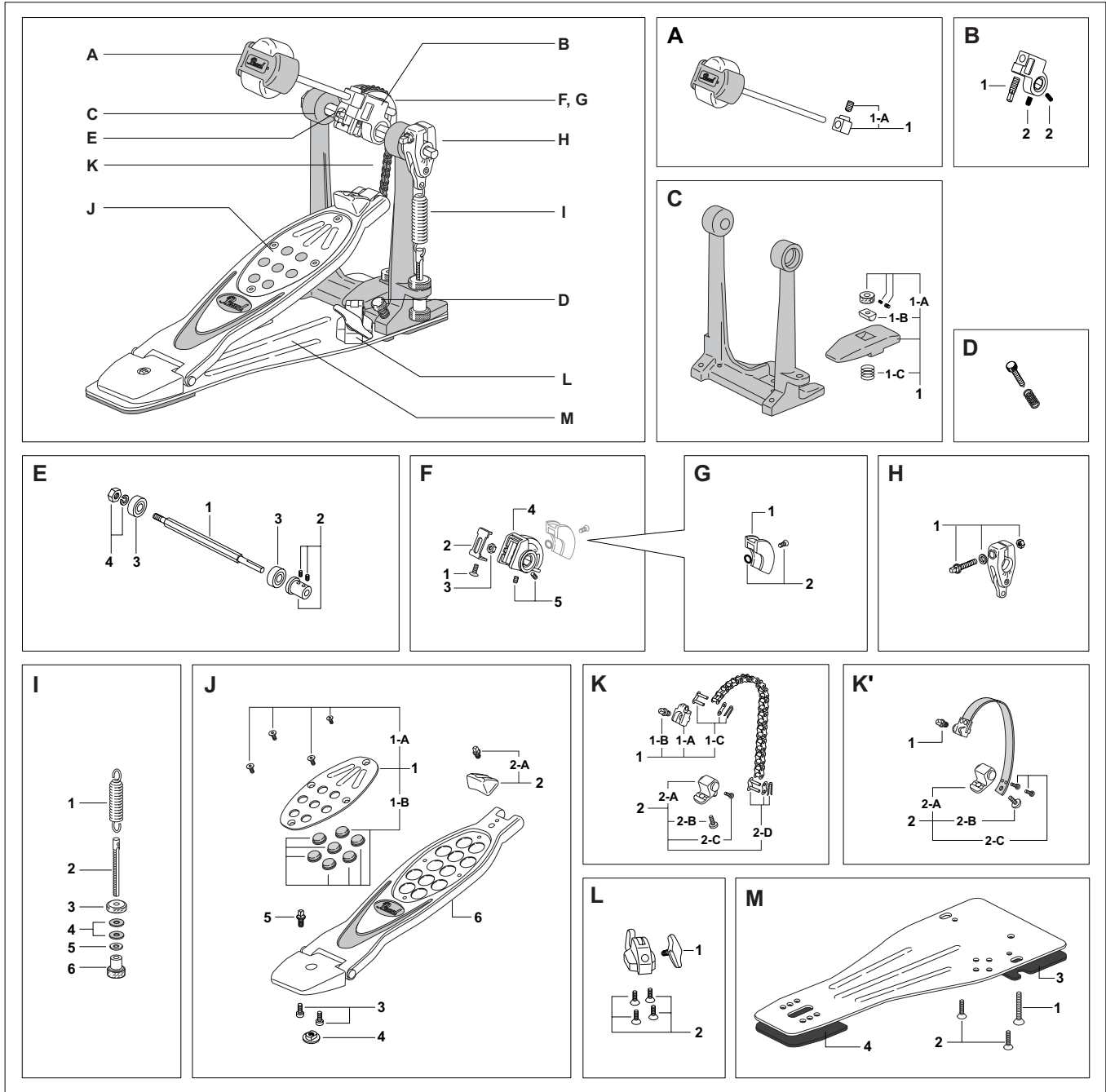
P-2002C / P-2002B



- A B-200QB Quad Beater Complete**
- 1 DC-394A Beater Setting Stopper Assy.
- 1-A SB-66 Allen Screw
- B DC-395NA Beater Holder Link Complete**
- 1 KB-814 Key Bolt
- 2 SB-66 Allen Screw
- C DC-515A Pedal Frame w/Hoop Clamp**
- 1 DC-517A Hoop Clamp Assy.
- 1-A ME-505A Adjustment Knob Assy.
- 1-B ME-507 Pivot Block
- 1-C SP-032 Spring
- 2 ASA-2000A Axle Support Arm Assy. Complete
- 2-A DC-516 Axle Support Arm
- 2-B DC-314NA Axle Support Arm Spacer
- 2-C SC-222 Screw (one each)
- 3 SB-44 Allen Screw
- D LT-636 Anchor Screw w/Spring**
- E ME-503A Hexagonal Axle Assy.**
- 1 ME-503B Hexagonal Axle w/bearing ONLY
- 2 NU-07B Bearing (one each)
- 3 ME-393N Axle Sleeve w/Allen Screws
- F ME-502A Hexagonal Axle Assy.**
- 1 ME-502 Hexagonal Axle ONLY
- 2 WS-49 Washer
- 3 NU-07B Bearing
- 4 ME-506 Bearing Spacer
- 5 ME-393N Axle Sleeve w/Allen Screws
- G DC-509A Aluminum Wheel Assy. Complete**
- 1 SC-327H Flat-head Screw
- 2 PR-546 Slider Bracket
- 3 NU-10 Hexagonal Nut
- 4 FE-40C Felt
- 5 SB-66 Allen Screw (one each)
- H Interchangeable Cam**
- 1 CAM-BK Black Cam
- 2 CAM-WT White Cam
- 3 CAM-BL Blue Cam
- 4 CAM-RD Red Cam
- I CCA-5 Double Chain Assy. Complete / P-2002C**
- 1 DC-511AA Chain Connecting Bracket Assy. (Top)
- 1-A DC-511A Chain Connecting Bracket ONLY (Top)
- 1-B KB-508 Key Bolt (short)
- 1-C ME-244 Chain End Connector Assy.
- 2 DC-511BA Chain Connecting Bracket Assy. (Bottom)
- 2-A DC-511B Chain Connecting Bracket ONLY (Bottom)
- 2-B SC-357 Screw
- 2-C SC-284 Screw (one each)
- 2-D ME-244 Chain End Connector Assy.
- I' BCA-1 Belt Assy. Complete / P-2002B**
- 1 KB-512 Key Bolt (long)
- 2 DC-510BA End Connector Assy. (Bottom)
- 2-A DC-510B End Connector ONLY
- 2-B SC-357 Screw
- 2-C SC-287 Screw (one each)
- J DC-396NA Uni-Lock Beater Angle Cam Complete**
- 1 KB-630A Bolt & Nut Set
- J' DC-396NAL Uni-Lock Beater Angle Cam Complete (Left Side)**
- 1 KB-630A Bolt & Nut Set
- K SPA-64AN Spring Assy. Complete**
- 1 SP-64F Spring (w/Felt) ONLY
- 2 ME-499 Adjustment Bolt
- 3 ME-500 Upper Nut
- 4 NP-407 Washers (pair)
- 5 WS-27 Lock Washer
- 6 ME-391 Lower Nut
- L FB-2000A Footboard Assy. Complete**
- 1 AL-24A Traction Plate Assy.
- 1-A SC-363L Mounting Screw (one each)
- 1-B NP-283N Traction Grip (one each)
- 2 DC-508A Toe Stopper Assy.
- 2-A KB-508 Key Bolt
- 3 SC-261 Screw (one each)
- 4 DC-398 Heel Position Adjust Nut
- 5 KB-608 Key Bolt
- 6 DC-512SN Footboard Assy. ONLY
- M PR-549A Power Plate Assy. Complete (Right Side)**
- 1 SC-325 Screw
- 2 SC-149 Screw (one each)
- 3 NP-284L Rubber Mat (Front)
- 4 NP-285 Rubber Mat (Heel)
- N DC-399W Hoop Clamp Cam Assy. Complete**
- 1 UGB-820C Die-Cast Wing Bolt
- 2 SC-191BN Screw (one each)
- N' DC-399S Hoop Clamp Cam Assy. Complete**
- 1 UGB-820C Wing Bolt
- 2 SC-191BN Screw (one each)
- O DS-200A Drive Shaft Assy. Complete**
- 1 SP-65A Drive Shaft Sleeve w/Key Bolts
- 1-A KB-608 Key Bolt (one each)
- 2 HS-200A Hexagonal Drive Shaft w/Key Bolts (one set)
- 2-A KB-508 Key Bolt (one each)
- P DC-513A Pedal Frame w/Hoop Clamp**
- 1 DC-514A Hoop Clamp Assy.
- 1-A ME-505A Adjustment Knob Assy.
- 1-B ME-507 Pivot Block
- 1-C SP-032 Spring
- Q ME-501A Hexagonal Axle Assy.**
- 1 ME-501 Hexagonal Axle ONLY
- 2 ME-393N Axle Sleeve w/Allen Screws
- 3 NU-07B Bearing (one each)
- 4 BSA-3 End Nut w/Washer
- R PR-548A Power Plate Assy. Complete (Left Side)**
- 1 SC-325 Screw
- 2 SC-149 Screw (one each)
- 3 NP-284S Rubber Mat (Front)
- 4 NP-285 Rubber Mat (Heel)

DRUM PEDALS

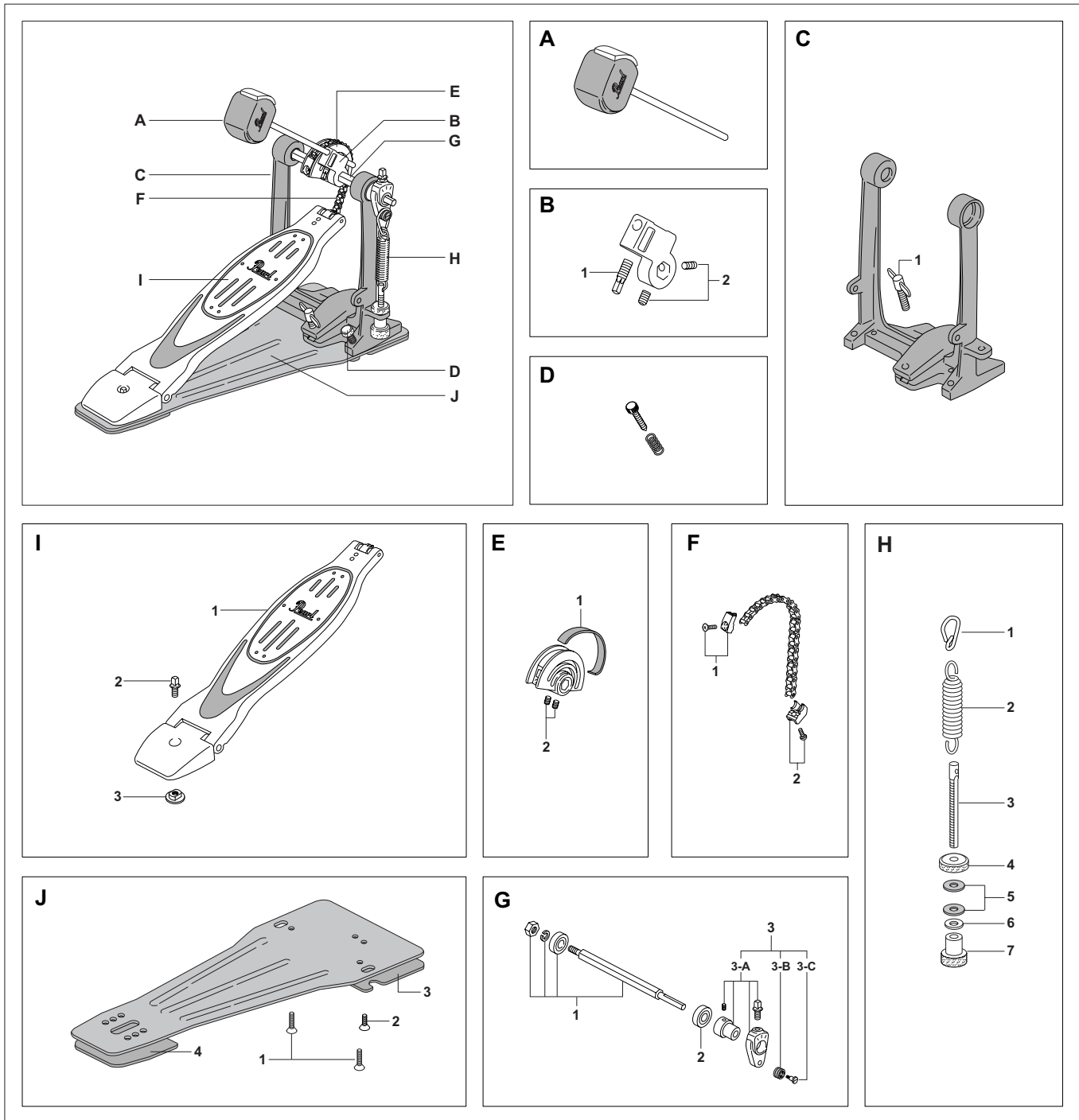
P-1000



- | | | | | | | | | |
|----------|-----------------|--------------------------------------|----------|-----------------|--|-----------|----------------|---|
| A | B-200QB | Quad Beater, Complete | G | NP-405A | Plastic Wheel Cover Assy. | K | CCA-10 | Single Chain Assy. Complete |
| 1 | DC-394A | Beater Setting Stopper Assy. | 1 | NP-405 | Plastic Wheel Cover w/Felt | 1 | DC-649AC | Chain Connecting Bracket Assy. (Top) |
| 1-A | SB-66 | Allen Screw | 2 | SC-344WO | Flat-head Screw w/Rubber O Ring | 1-A | DC-649 | Chain Connecting Bracket ONLY (Top) |
| B | DC-395NA | Beater Holder Link, complete | H | DC-396NA | Uni-Lock Beater Angle Cam, Complete | 1-B | KB-508 | Key Bolt (short) |
| 1 | KB-814 | Key Bolt | 1 | KB-630A | Bolt, Washer & Nut Set | 1-C | ME-212 | Chain End Connector Assy. |
| 2 | SB-66 | Allen Screw | 1 | SPA-64AN | Spring Assy. Complete | 2 | DC-562AC | Chain Connecting Bracket Assy. (Bottom) |
| C | DC-513A | Pedal Frame w/Hoop Clamp | 1 | SP-64F | Spring (w/Felt) ONLY | 2-A | DC-562 | Chain Connecting Bracket ONLY (Bottom) |
| 1 | DC-514A | Hoop Clamp Assy. | 2 | ME-499 | Adjustment Bolt | 2-B | SC-357 | Screw |
| 1-A | ME-505A | Adjustment Knob Assy. | 3 | ME-500 | Upper Nut | 2-C | SC-284 | Screw |
| 1-B | ME-507 | Pivot block | 4 | NP-407 | Washers (pair) | 2-D | ME-212 | Chain End Connector Assy. |
| 1-C | SP-032 | Spring | 5 | WS-27 | Lock Washer | K' | BCA-10 | Belt Assy. Complete |
| D | LT-636 | Anchor Screw w/Spring | 6 | ME-391 | Lower Nut | 1 | KB-512 | Key Bolt (long) |
| E | ME-501A | Hexagonal Axle Assy. | J | FB-1000 | Footboard Assy. Complete | 2 | DC-510BA | End Connecting Bracket Assy. (Bottom) |
| 1 | ME-501 | Hexagonal Axle ONLY | 1 | AL-24SA | Traction Plate Assy. | 2-A | DC-510B | End Connecting Bracket ONLY (Bottom) |
| 2 | ME-393N | Axle Sleeve w/Allen Screws | 1-A | SC-363L | Mounting Screw (one each) | 2-B | SC-357 | Screw |
| 3 | NU-07B | Bearing (one each) | 1-B | NP-283N | Traction Grip (one each) | 2-C | SC-287 | Screw (one each) |
| 4 | BSA-3 | End Nut w/Washer | 2 | DC-508A | Toe Stopper Assy. | L | DC-399S | Hoop Clamp Cam Assy. Complete |
| F | ALH-10 | Aluminum Wheel Assy. Complete | 2-A | KB-508 | Key Bolt | 1 | UGB-820C | Wing Bolt |
| 1 | SC-327H | Flat-head Screw | 3 | SC-261 | Screw (one each) | 2 | SC-191BN | Screw (one each) |
| 2 | PR-546 | Slider Bracket | 4 | DC-398 | Heel Position Adjust Nut | M | PR-548S | Power Plate Assy. Complete |
| 3 | NU-10 | Hexagonal Nut | 5 | KB-608 | Key Bolt | 1 | SC-325 | Screw |
| 4 | DC-650 | Aluminum Wheel ONLY | 6 | DC-512SN | Footboard Assy. ONLY | 2 | SC-149 | Screw (one each) |
| 5 | SB-66 | Allen Screw (one each) | | | | 3 | NP-284S | Rubber Mat (Front) |
| | | | | | | 4 | NP-285 | Rubber Mat (Heel) |

DRUM PEDALS

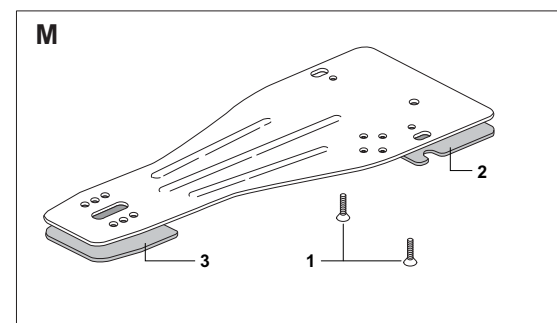
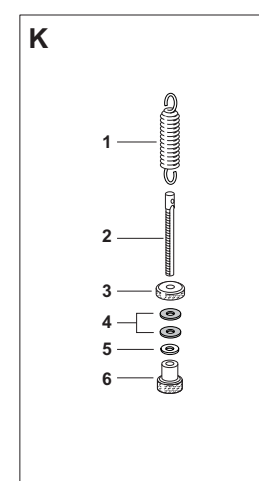
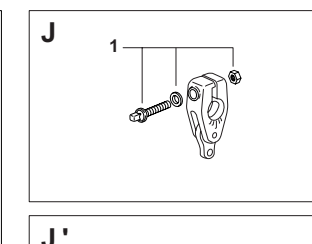
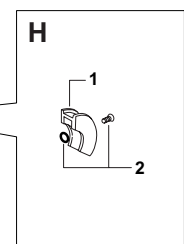
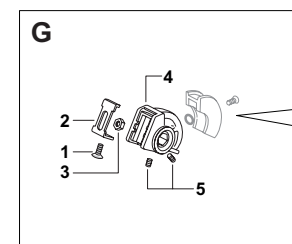
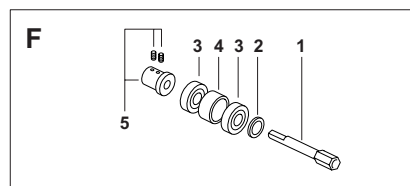
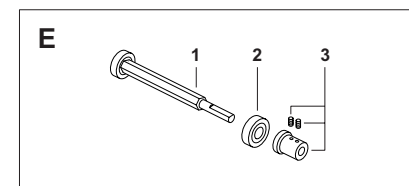
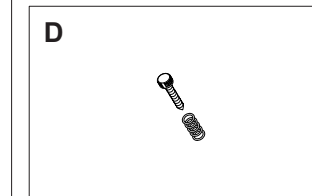
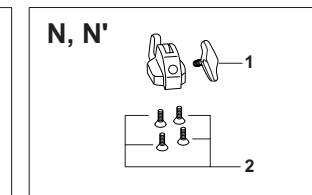
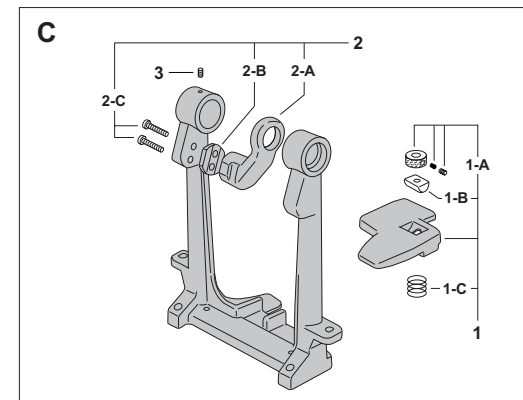
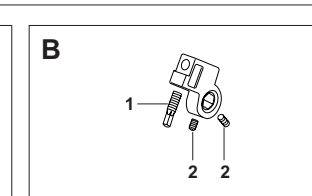
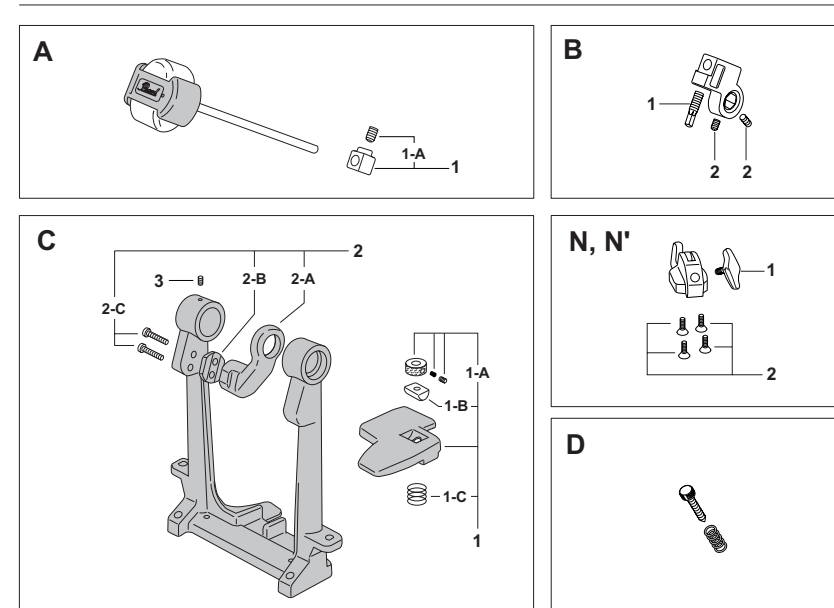
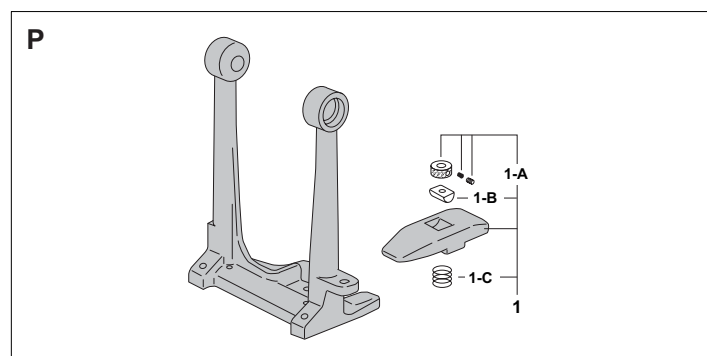
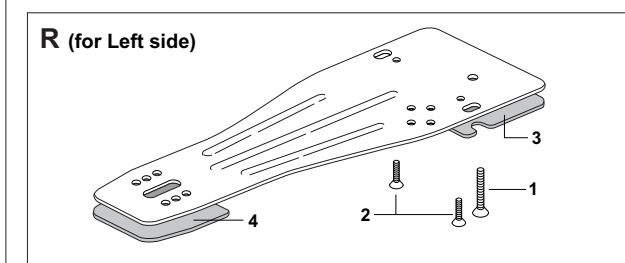
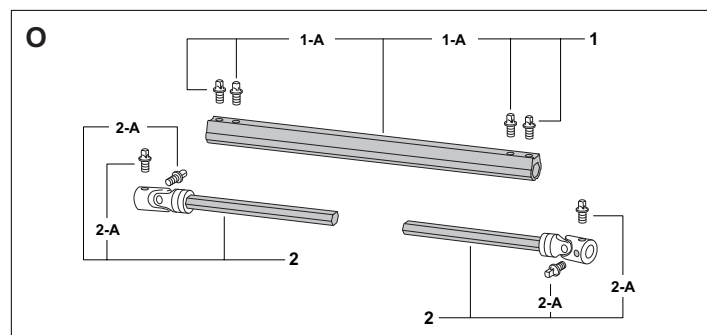
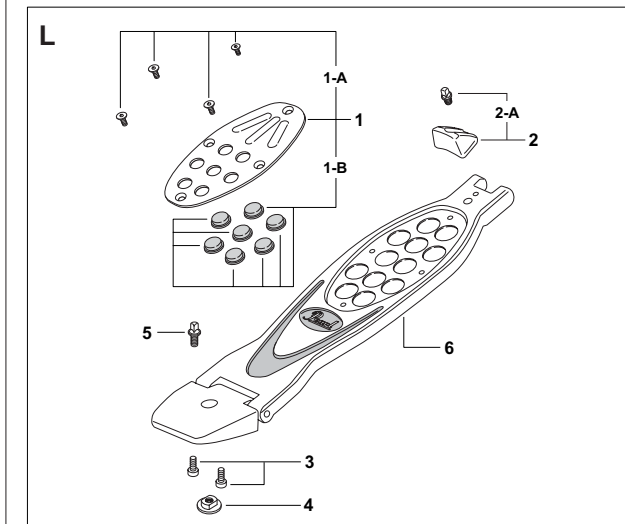
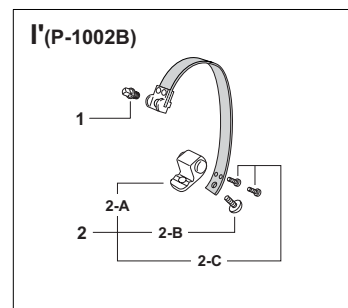
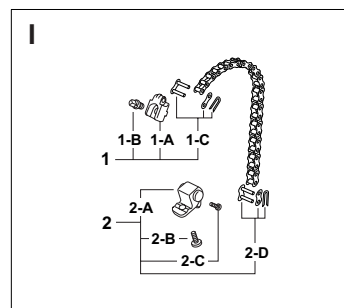
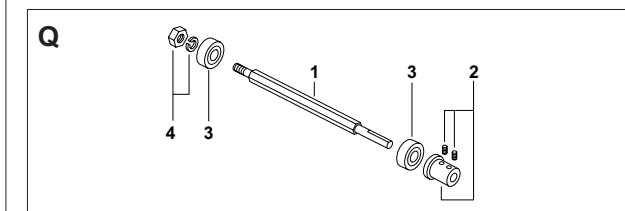
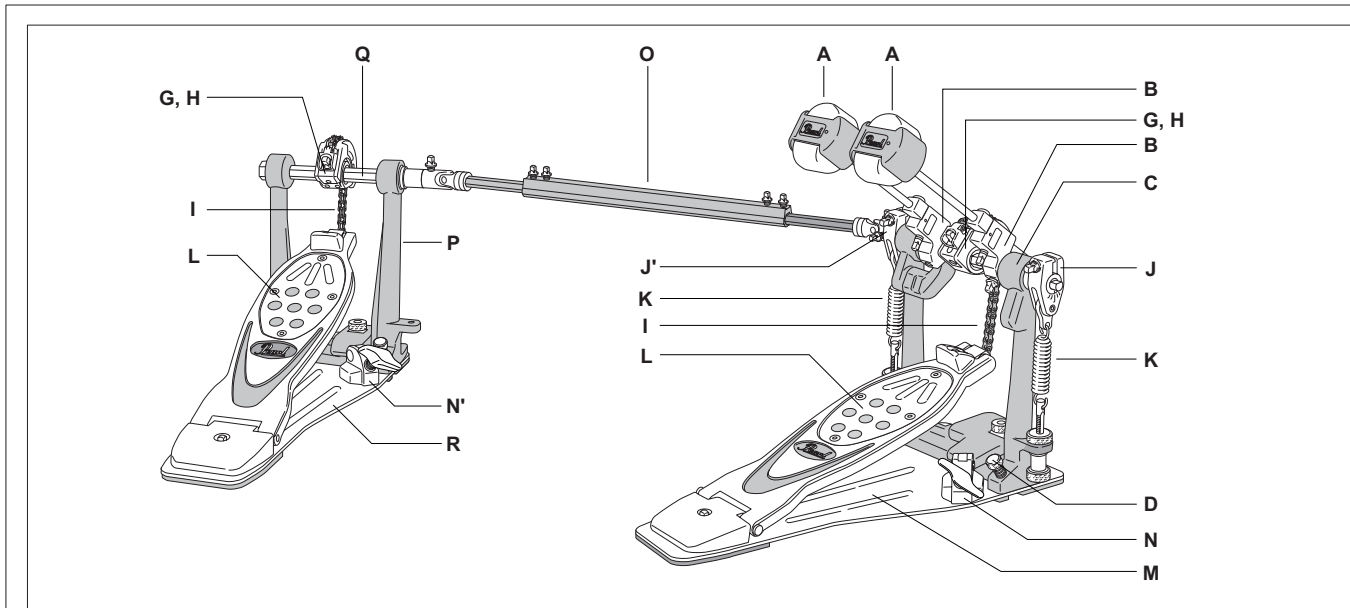
P-900



- | | | | | | | | | |
|----------|----------------|--|----------|----------------|--------------------------------|----------|----------------|-----------------------------------|
| A | DB-100 | "DuoBeat" 2 Way Beater | G | SM-28AC | Hexagonal Axle Assy. | I | FB-P90 | Footboard Assy. Complete |
| B | AD-6A | Beater Holder Link Complete | 1 | SM-28A | Hexagonal Axle | 1 | FB-90P | Footboard w/Chain Connector |
| 1 | KB-814 | Key Bolt | 2 | NU-07B | Bearing | 2 | SC-128B | Key Bolt |
| 2 | SB-66 | Allen Screw | 3 | ZD-37AC | Beater Angle Cam Complete | 3 | ZD-41 | Heel Position Adjust Nut |
| C | PF-P90A | Pedal Frame w/Hoop Clamp | 3-A | ZD-37A | Beater Angle Cam w/Axle Sleeve | J | PWP-P90 | Power Plate Assy. Complete |
| 1 | ME-69 | Handle Bolt | 3-B | ME-646 | Cam Roller | 1 | SC-149 | Screw (one each) |
| D | LT-636 | Anchor Screw w/Spring | 3-C | ME-170B | Cam Bolt | 2 | SC-39 | Screw |
| E | AD-5A | Aluminum Wheel Assy. Complete | H | SPA-90A | Spring Assy. Complete | 3 | NP-199A | Rubber Mat (Front) |
| 1 | FL-WL | Felt Strip | 1 | SP-74 | Hook | 4 | NP-285 | Rubber Mat (Heel) |
| 2 | SB-66 | Allen Screw (one each) | 2 | SP-31F | Spring (w/Felt) ONLY | | | |
| F | CCA-90 | Connecting Chain Assy. Complete | 3 | ME-166 | Adjustment Bolt | | | |
| 1 | ZD-38A | Chain End Connector Assy. (one each) | 4 | ME-500 | Upper Nut | | | |
| 2 | ZD-40A | Chain End Connector Assy. (one each) | 5 | NP-407 | Washer (pair) | | | |
| | | | 6 | WS-27 | Lock Washer (one each) | | | |
| | | | 7 | ME-391 | Lower Nut | | | |

DRUM PEDALS

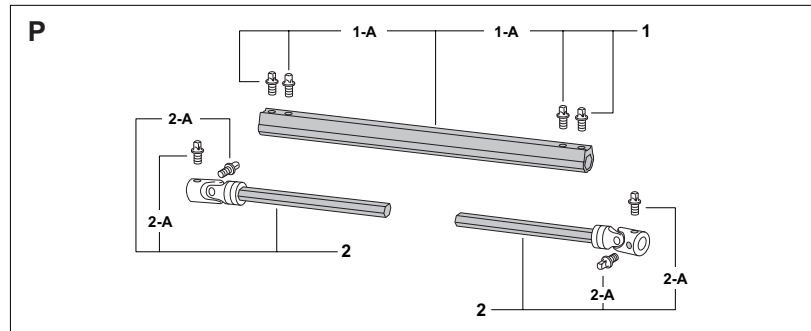
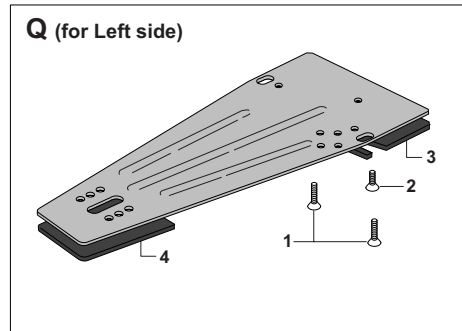
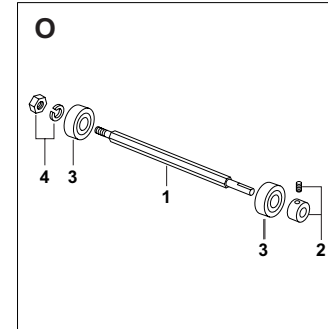
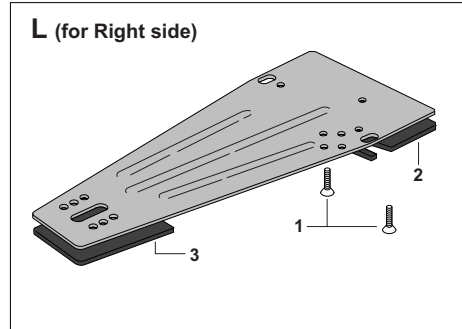
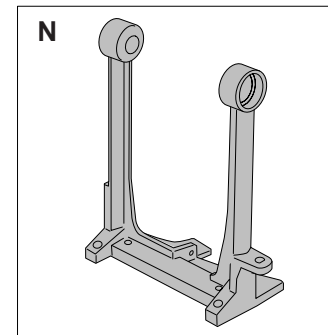
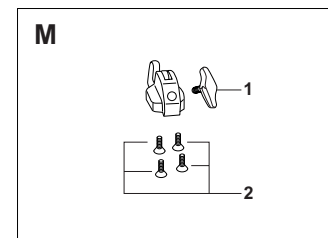
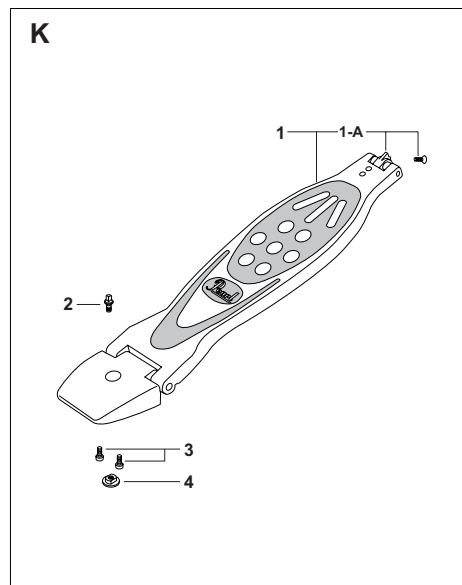
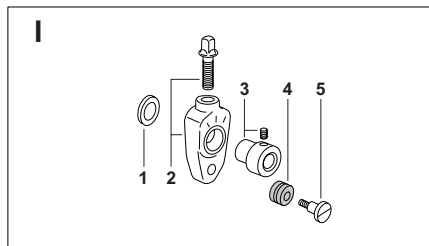
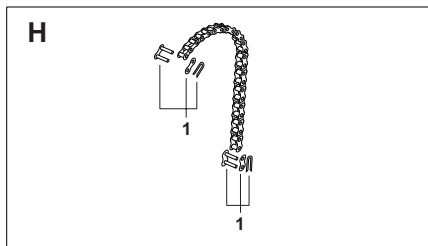
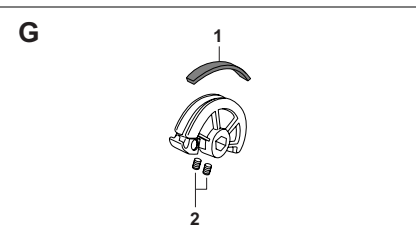
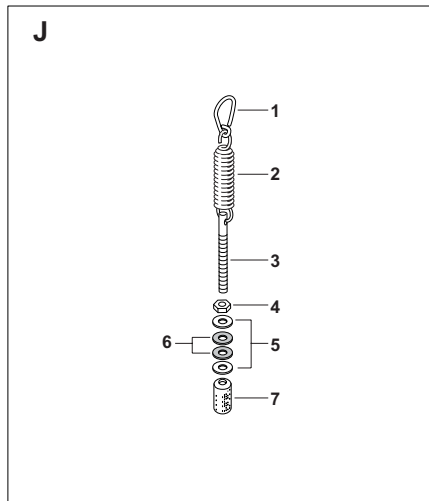
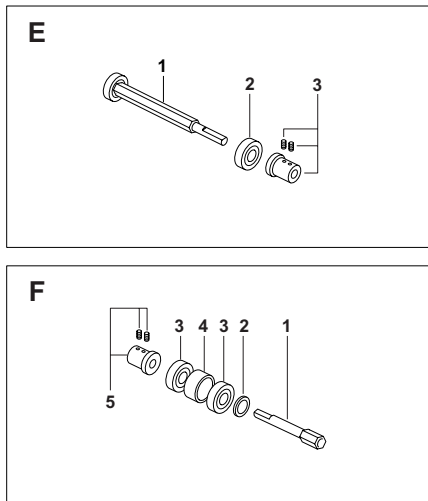
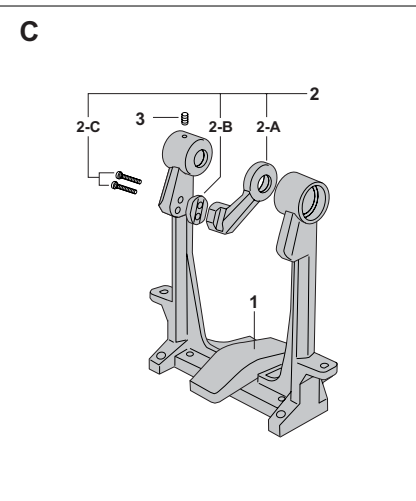
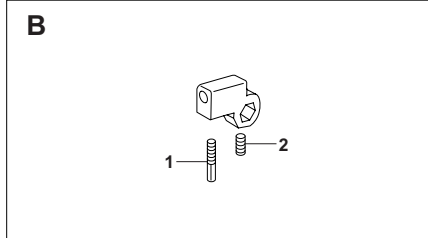
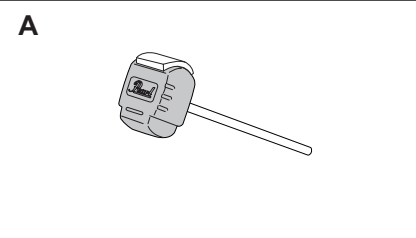
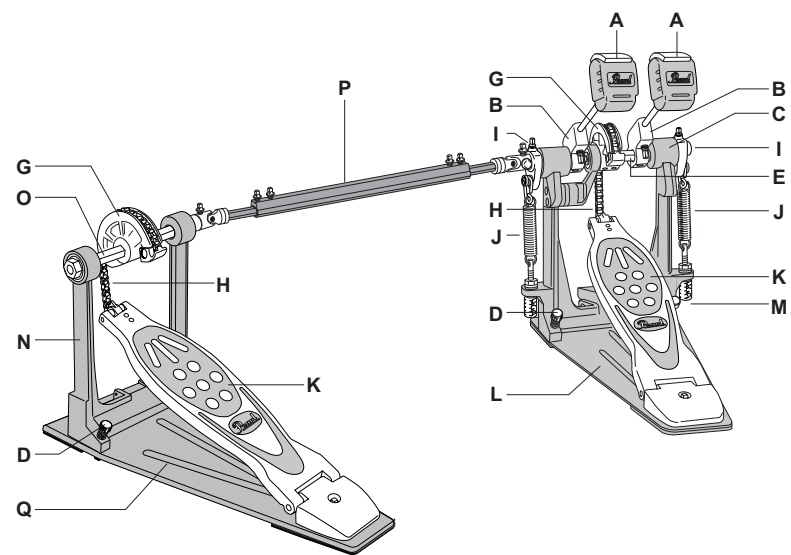
P-1002



- A B-200QB Quad Beater Complete**
- 1 DC-394A Beater Setting Stopper Assy.
- 1-A SB-66 Allen Screw
- B DC-395NA Beater Holder Link Complete**
- 1 KB-814 Key Bolt
- 2 SB-66 Allen Screw
- C DC-515A Pedal Frame w/Hoop Clamp**
- 1 DC-517A Hoop Clamp Assy.
- 1-A ME-505A Adjustment Knob Assy.
- 1-B ME-507 Pivot Block
- 1-C SP-032 Spring
- 2 ASA-2000A Axle Support Arm Assy. Complete
- 2-A DC-516 Axle Support Arm
- 2-B DC-314NA Axle Support Arm Spacer
- 2-C SC-222 Screw (one each)
- 3 SB-44 Allen Screw
- D LT-636 Anchor Screw w/Spring**
- E ME-503A Hexagonal Axle Assy.**
- 1 ME-503B Hexagonal Axle w/Bearing ONLY
- 2 NU-07B Bearing
- 3 ME-393N Axle Sleeve w/Set Screws
- F ME-502A Hexagonal Axle Assy.**
- 1 ME-502 Hexagonal Axle ONLY
- 2 WS-49 Washer
- 3 NU-07B Bearing
- 4 ME-506 Bearing Spacer
- 5 ME-393N Axle Sleeve w/Allen Screws
- G ALH-10 Aluminum Wheel Assy. Complete**
- 1 SC-327H Flat-head Screw
- 2 PR-546 Slider Bracket
- 3 NU-10 Hexagonal Nut
- 4 DC-650 Aluminum Wheel ONLY
- 5 SB-66 Allen Screw (one each)
- H NP-405A Plastic Wheel Cover Assy.**
- 1 NP-405 Plastic Wheel Cover w/Felt
- 2 SC-344WO Flat-head Screw w/Rubber O Ring
- I CCA-10 Chain Assy. Complete**
- 1 DC-649AC Chain Connecting Bracket Assy. (Top)
- 1-A DC-649 Chain Connecting Bracket ONLY (Top)
- 1-B KB-508 Key Bolt (short)
- 1-C ME-212 Chain End Connector Assy.
- 2 DC-562AC Chain Connecting Bracket Assy. (Bottom)
- 2-A DC-562 Chain Connecting Bracket ONLY(Bottom)
- 2-B SC-357 Screw
- 2-C SC-284 Screw
- 2-D ME-212 Chain End Connector Assy.
- I' BCA-10 Belt Assy. Complete**
- 1 KB-512 Key Bolt (long)
- 2 DC-510BA End Connector Assy. (Bottom)
- 2-A DC-510B End Connector ONLY
- 2-B SC-357 Screw
- 2-C SC-287 Screw (one each)
- J DC-396NA Uni-Lock Beater Angle Cam Complete**
- 1 KB-630A Bolt, Washer & Nut Set
- J' DC-396NAL Uni-Lock Beater Angle Cam Complete (Left Side)**
- 1 KB-630A Bolt, Washer & Nut Set
- K SPA-64AN Spring Assy. Complete**
- 1 SP-64F Spring (w/Felt) ONLY
- 2 ME-499 Adjustment Bolt
- 3 ME-500 Upper Nut
- 4 NP-407 Washers (pair)
- 5 WS-27 Lock Washer
- 6 ME-391 Lower Nut
- L FB-1000 Footboard Assy. Complete**
- 1 AL-24SA Traction Plate Assy.
- 1-A SC-363L Mounting Screw (one each)
- 1-B NP-283N Traction Grip (one each)
- 2 DC-508A Toe Stopper Assy.
- 2-A KB-508 Key Bolt
- 3 SC-261 Screw (one each)
- 4 DC-398 Heel Position Adjust Nut
- 5 KB-608 Key Bolt
- 6 DC-512SN Footboard Assy. ONLY
- M PR-548SA Power Plate Assy. Complete (Right Side)**
- 1 SC-149 Screw (one each)
- 2 NP-284S Rubber Mat (Front)
- 3 NP-285 Rubber Mat (Heel)
- N DC-399W Hoop Clamp Cam Assy. Complete**
- 1 UGB-820C Die-Cast Wing Bolt
- 2 SC-191BN Screw (one each)
- N' DC-399S Hoop Clamp Cam Assy. Complete**
- 1 UGB-820C Die-Cast Wing Bolt
- 2 SC-191BN Screw (one each)
- O DS-200A Drive Shaft Assy. Complete**
- 1 SP-65A Drive Shaft Sleeve w/Key Bolts
- 1-A KB-608 Key Bolt (one each)
- 2 HS-200A Hexagonal Drive Shaft w/Key Bolts (one set)
- 2-A KB-508 Key Bolt (one each)
- P DC-513A Pedal Frame w/Hoop Clamp**
- 1 DC-514A Hoop Clamp Assy.
- 1-A ME-505A Adjustment Knob Assy.
- 1-B ME-507 Pivot Block
- 1-C SP-032 Spring
- Q ME-501A Hexagonal Axle Assy.**
- 1 ME-501 Hexagonal Axle ONLY
- 2 ME-393N Axle Sleeve w/Allen Screws
- 3 NU-07B Bearing (one each)
- 4 BSA-3 End Nut w/Washer
- R PR-548SA Power Plate Assy. Complete (Left Side)**
- 1 SC-325 Screw
- 2 SC-149 Screw (one each)
- 3 NP-284S Rubber Mat (Front)
- 4 NP-285 Rubber Mat (Heel)

DRUM PEDALS

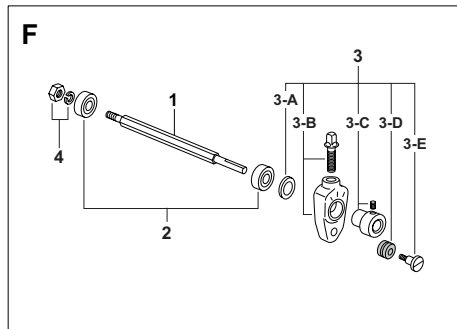
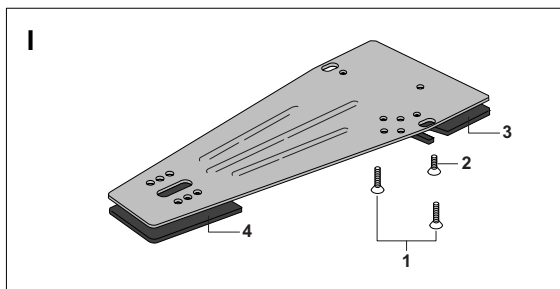
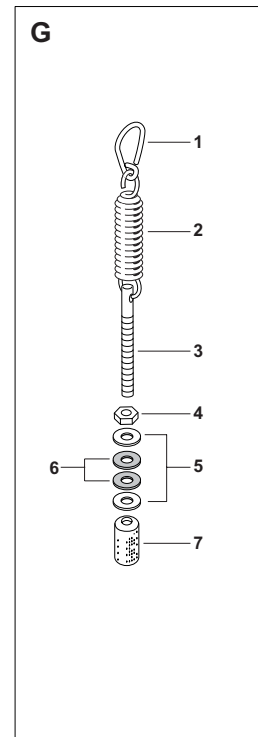
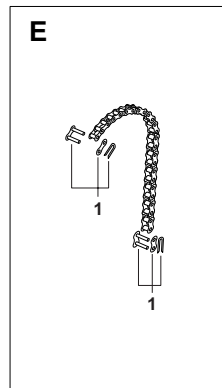
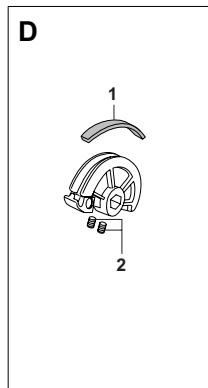
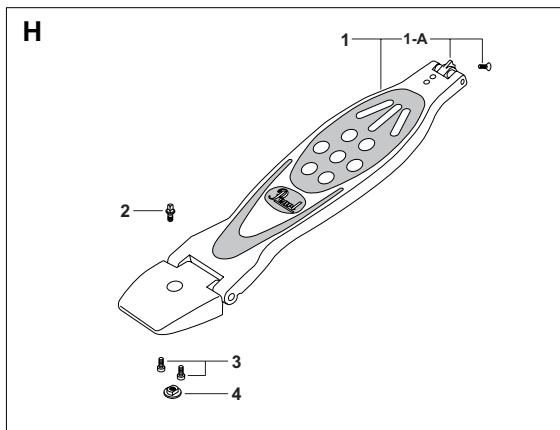
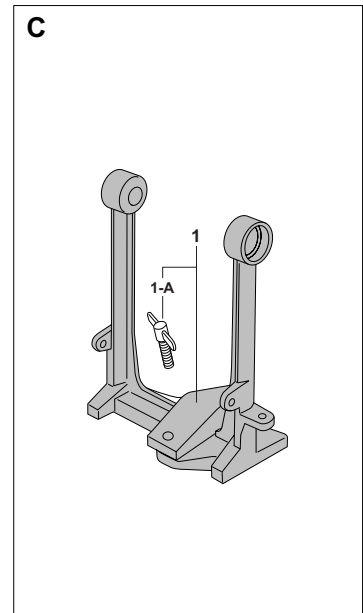
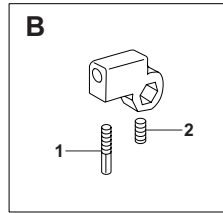
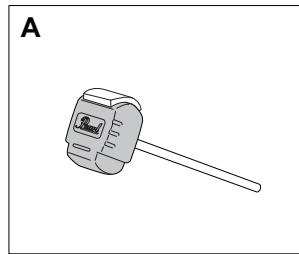
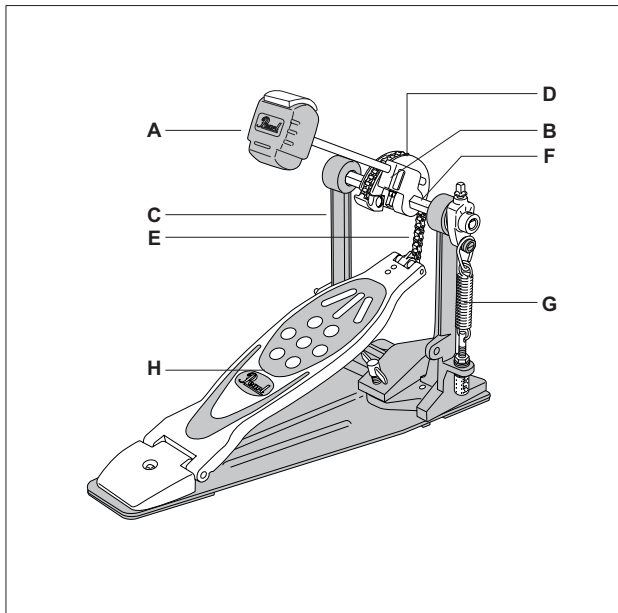
P-122TW



- A B-100DB "DuoBeat" 2 Way Beater**
- B BH-95 Beater Holder Link, Complete**
- 1 KB-814 Key Bolt
- 2 SB-66 Allen Screw
- C DC-546CA Pedal Frame w/Hoop Clamp**
- 1 DC-397BA Hoop Clamp w/Pin
- 2 DC-547CA Axle Support Arm Assy. Complete
- 2-A DC-547C Axle Support Arm
- 2-B DC-314C Axle Support Spacer
- 2-C SC-222 Screw (one each)
- 3 SB-44 Allen Screw
- D LT-636 Anchor Screw w/Spring**
- E ME-394A Hexagonal Axle Assy. Complete**
- 1 HEX-8L Hexagonal Axle w/Bearing
- 2 NU-07B Bearing
- 3 ME-393N Axle Sleeve w/Allen Screws
- F ME-342A Hexagonal Axle Assy. Complete**
- 1 HEX-8S Hexagonal Axle (short)
- 2 WS-49 Washer
- 3 NU-07B Bearing (one each)
- 4 BS-85 Bearing Spacer
- 5 ME-393N Axle Sleeve w/Allen Screws
- G ALH-2 Aluminum Wheel Assy. Complete**
- 1 FE-29 Felt Strip
- 2 SB-66 Allen Screw (one each)
- H CCA-1 Connecting Chain Assy. Complete**
- 1 ME-212 Chain End Connector Assy. (one each)
- I DC-536AC Beater Angle Cam Assy. Complete**
- 1 WS-43 Washer
- 2 DC-536A Beater Angle Cam w/Key Bolt
- 3 ME-530A Axle Sleeve w/Allen Screw
- 4 ME-646 Cam Roller
- 5 ME-170B Cam Bolt
- J SPA-9A Spring Assy. Complete**
- 1 SP-74 Hook
- 2 SP-64F Spring (w/Felt) ONLY
- 3 ME-166 Adjustment Bolt
- 4 NU-19 Hexagonal Nut
- 5 WS-27 Lock Washer (one each)
- 6 NP-407 Washer (one each)
- 7 ME-167 Adjustment Nut
- K FB-120P Footboard Assy. Complete**
- 1 DC-643SA Footboard w/Chain Connector
- 1-A DC-164NA Chain Connector w/Pin and Screw
- 2 KB-608 Key Bolt
- 3 SC-261 Cap Screw (one each)
- 4 DC-398 Heel Position Adjust Nut
- L PR-631A Power Plate Assy. Complete**
- 1 SC-149 Screw (one each)
- 2 NP-199A Rubber Mat (Front)
- 3 NP-199B Rubber Mat (Heel)
- M DC-399ATN Hoop Clamp Cam Assy. Complete**
- 1 UGB-820 Die-Cast Wing Bolt
- 2 SC-191BN Screw (one each)
- N DC-404C Pedal Frame**
- O ME-345A Hexagonal Axle Assy.**
- 1 HEX-9 Hexagonal Axle w/Axle Sleeve and Allen Screw
- 2 ME-358A Axle Sleeve w/Allen Screw
- 3 NU-07B Bearing (one each)
- 4 BSA-3 End Nut w/Washer
- P DS-200A Drive Shaft Assy. Complete**
- 1 SP-65A Drive Shaft Sleeve w/Key Bolts
- 1-A KB-608 Key Bolt (one each)
- 2 HS-200A Hexagonal Drive Shaft w/Key Bolts (one set)
- 2-A KB-508 Key Bolt (one each)
- Q PR-632AC Power Plate Assy. Complete**
- 1 SC-149 Screw (one each)
- 2 SC-39 Screw
- 3 NP-199A Rubber Mat (Front)
- 4 NP-199B Rubber Mat (Heel)

DRUM PEDALS

P-120P



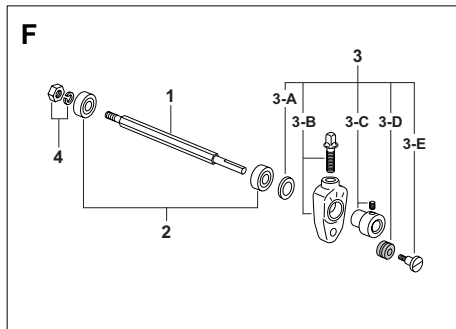
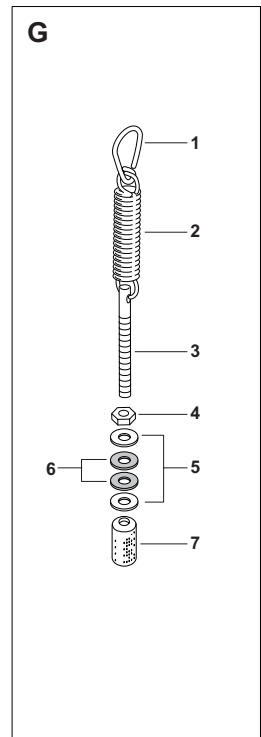
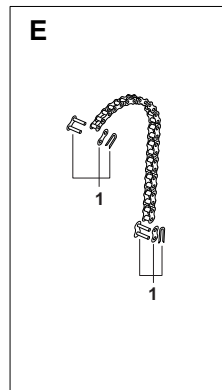
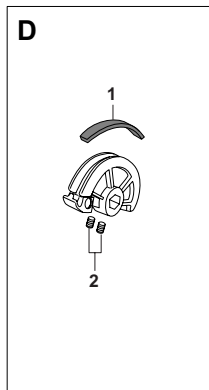
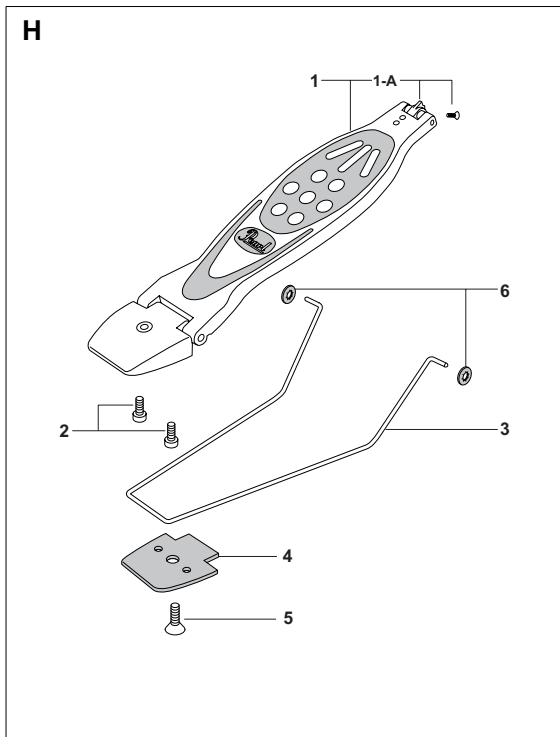
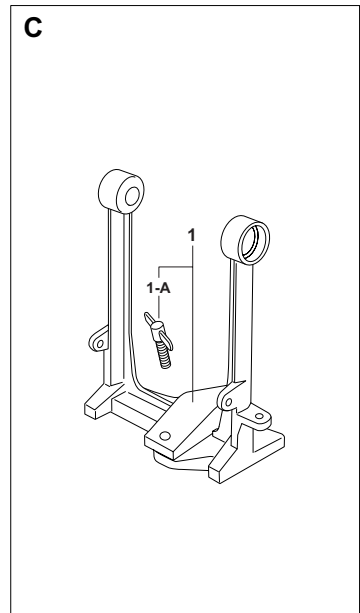
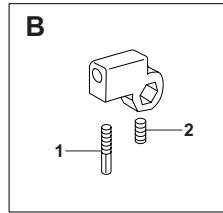
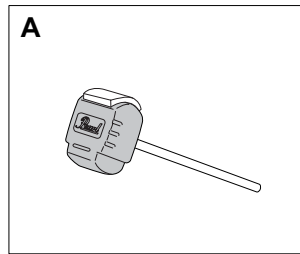
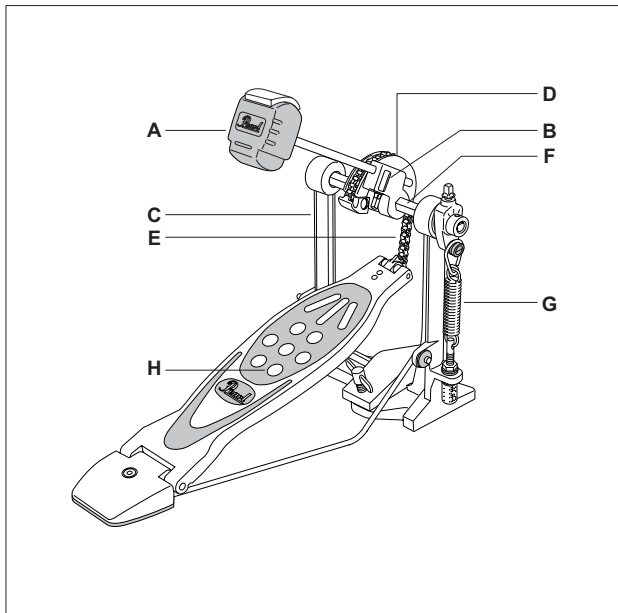
- A B-100DB "DuoBeat" 2 Way Beater**
- B BH-95 Beater Holder Link Complete**
- 1 KB-814 Key Bolt
- 2 SB-66 Allen Screw
- C DC-391BA Pedal Frame w/Hoop Clamp**
- 1 DC-201BA Hoop Clamp Assy. Complete
- 1-A ME-69 Handle Bolt
- D ALH-2 Aluminum Wheel Assy. Complete**
- 1 FE-29 Felt Strip
- 2 SB-66 Allen Screw (one each)
- E CCA-1 Connecting Chain Assy. Complete**
- 1 ME-212 Chain End Connector Assy. (one each)

- F ME-345A Hexagonal Axle Assy.**
- 1 ME-345 Hexagonal Axle
- 2 NU-07B Bearing (one each)
- 3 DC-536AC Beater Angle Cam Complete
- 3-A WS-43 Washer
- 3-B DC-536A Beater Angle Cam w/Key Bolt
- 3-C ME-530A Axle Sleeve w/Allen Screw
- 3-D ME-646 Cam Roller
- 3-E ME-170B Cam Bolt
- 4 BSA-3 End Nut w/Washer
- G SPA-9A Spring Assy. Complete**
- 1 SP-74 Hook
- 2 SP-64F Spring (w/Felt) ONLY
- 3 ME-166 Adjustment Bolt
- 4 NU-19 Hexagonal Nut
- 5 WS-27 Lock Washer (one each)
- 6 NP-407 Washer (pair)
- 7 ME-167 Adjustment Nut

- H FB-120P Footboard Assy. Complete**
- 1 DC-643SA Footboard w/Chain Connector
- 1-A DC-164NA Chain Connector w/Pin and Screw
- 2 KB-608 Key Bolt
- 3 SC-261 Screw (one each)
- 4 DC-398 Heel Position Adjust Nut
- I PR-632AC Power Plate Assy. Complete**
- 1 SC-149 Screw (one each)
- 2 SC-39 Screw
- 3 NP-199A Rubber Mat (Front)
- 4 NP-199B Rubber Mat (Heel)

DRUM PEDALS

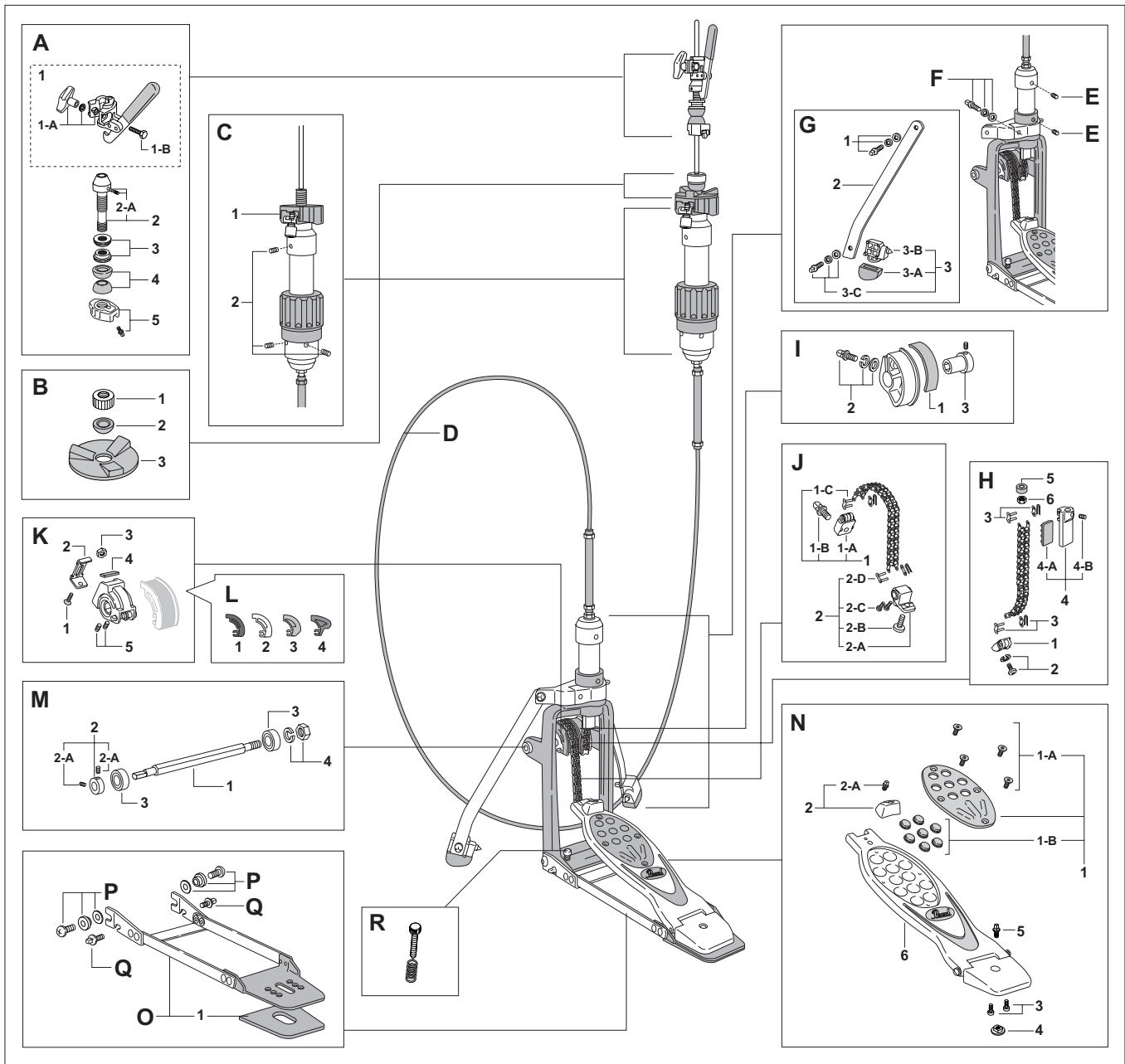
P-120



- | | | | | | | | | |
|----------|-----------------|--|----------|----------------|------------------------------|----------|---------------|--|
| A | B-100DB | "DuoBeat" 2 Way Beater | F | ME-345A | Hexagonal Axle Assy. | H | FB-120 | Footboard Assy. Complete |
| B | BH-95 | Beater Holder Link Complete | 1 | ME-345 | Hexagonal Axle | 1 | DC-643AR | Footboard w/Chain Connector |
| 1 | KB-814 | Key Bolt | 2 | NU-07B | Bearing (one each) | 1-A | DC-164NA | Chain Connector w/Pin and Screw |
| 2 | SB-66 | Allen Screw | 3 | DC-536AC | Beater Angle Cam Complete | 2 | SC-261 | Cap Screw (one each) |
| C | DC-391CA | Pedal Frame w/Hoop Clamp | 3-A | WS-43 | Washer | 3 | ME-207B | Radius Rod ONLY |
| 1 | DC-201CA | Hoop Clamp Assy. Complete | 3-B | DC-536A | Beater Angle Cam w/Key Bolt | 4 | PR-447 | Radius Rod Cover |
| 1-A | ME-69 | Handle Bolt | 3-C | ME-530A | Axle Sleeve w/Allen Screw | 5 | SC-258 | Screw |
| D | ALH-2 | Aluminum Wheel Assy. Complete | 3-D | ME-646 | Cam Roller | 6 | WS-50 | Push Nut (Radius Rod Stopper) (one each) |
| 1 | FE-29 | Felt Strip | 3-E | ME-170B | Cam Bolt | | | |
| 2 | SB-66 | Allen Screw (one each) | 4 | BSA-3 | End Nut w/Washer | | | |
| E | CCA-1 | Connecting Chain Assy. Complete | G | SPA-8A | Spring Assy. Complete | | | |
| 1 | ME-212 | Chain End Connector Assy. (one each) | 1 | SP-74 | Hook | | | |
| | | | 2 | SP-31F | Spring (w/Felt) ONLY | | | |
| | | | 3 | ME-166 | Adjustment Bolt | | | |
| | | | 4 | NU-19 | Hexagonal Nut | | | |
| | | | 5 | WS-27 | Lock Washer (one each) | | | |
| | | | 6 | NP-407 | Washer (pair) | | | |
| | | | 7 | ME-167 | Adjustment Nut | | | |

HI-HAT STANDS

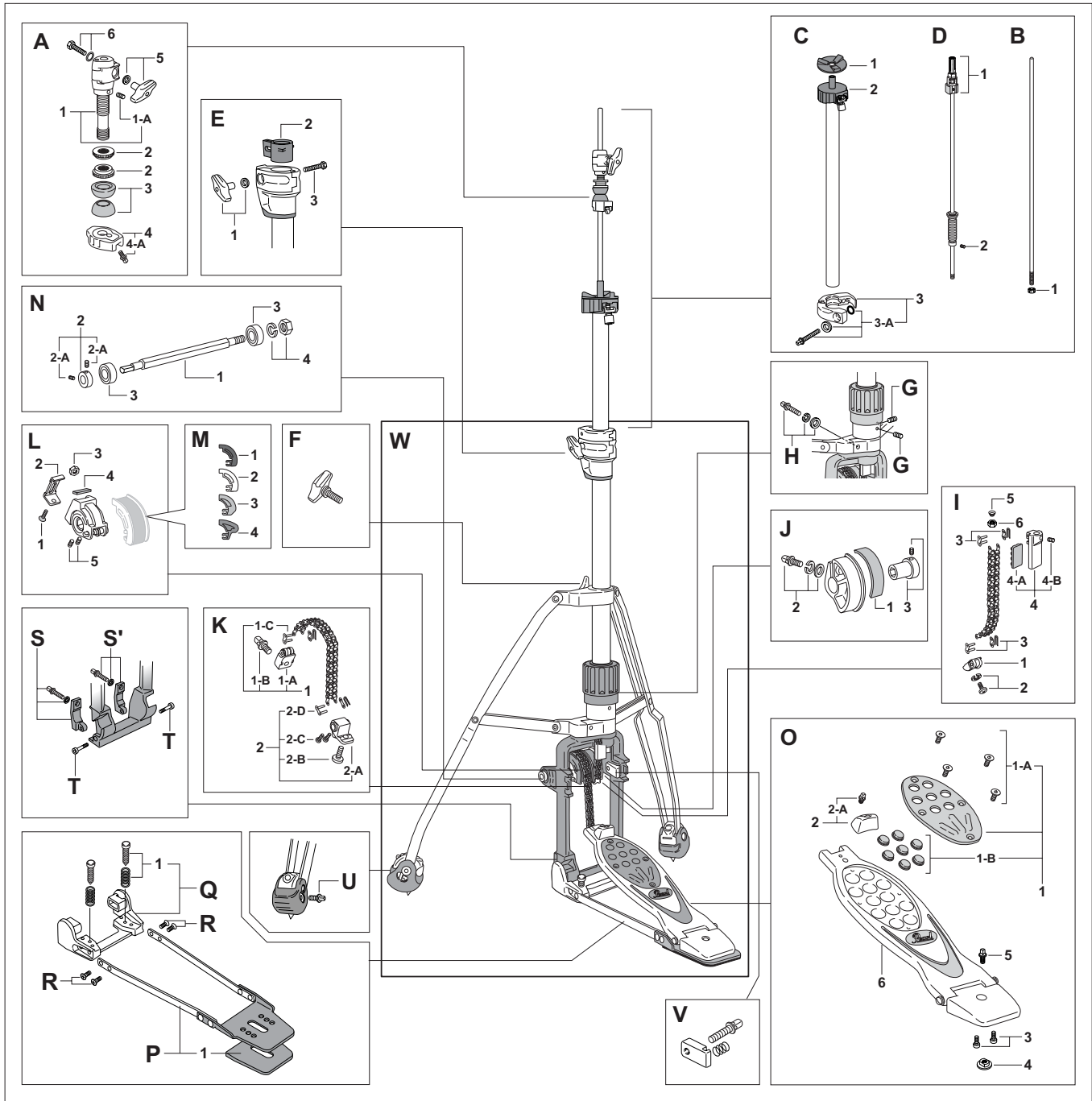
RH-2000



- | | | | | | | | | |
|----------|------------------|--|----------|----------------|---|----------|-----------------|-----------------------------------|
| A | DCL-300P | Drop Clutch | H | CCA-6H | Chain Assy. Complete (pull cam side) | L | | Interchangeable Cam |
| 1 | DCL-300T | Drop Clutch Head Assy. | 1 | DC-400 | Chain Connector | 1 | CAM-BK | Black Cam |
| 1-A | UGN-6 | Die Cast Wing Nut w/Washers | 2 | SC-94W | Screw with Washer | 2 | CAM-WT | White Cam |
| 1-B | SC-168 | Hex Head Bolt | 3 | ME-244 | Chain End Connector Assy. (one each) | 3 | CAM-BL | Blue Cam |
| 2 | ME-642A | Drop Clutch Bolt | 4 | DC-524A | Rod Connector, Complete | 4 | CAM-RD | Red Cam |
| 2-A | SB-55 | Allen Screw w/Pin | 4-A | NP-296 | Rubber Cushion | M | ME-517A | Hexagonal Axle Assy. |
| 3 | ME-137 | Lock Nut (One each) | 4-B | SB-44 | Allen Screw | 1 | ME-517 | Hexagonal Axle ONLY |
| 4 | NP-210 | Rubber Washer (One each) | 5 | FE-42 | Felt Washer | 2 | ME-518A | Axle Sleeve w/Allen Screws |
| 5 | DC-554A | Bottom Lock Nut w/Key Bolt | 6 | NU-19 | Nut | 2-A | SB-44 | Allen Screw (one each) |
| B | CYS-200AA | Cymbal Seat Assy. | I | DC-525A | Aluminum Pull Cam Assy. Complete | 3 | NU-07B | Bearing (one each) |
| 1 | ME-188 | Lock Nut | 1 | FE-41 | Felt Strip | 4 | BSA-3 | End Nut w/Washer |
| 2 | NP-210 | Rubber Washer | 2 | KB-625W | Key Bolt w/Washers | N | FB-2000A | Footboard Assy. Complete |
| 3 | NP-208 | Rubber Cup Washer | 3 | ME-519A | Drive Shaft Sleeve w/Allen Screw | 1 | AL-24A | Traction Plate Assy. |
| C | HUP-200R | Upper Tube Assy. Complete | J | CCA-5H | Double Chain Assy. Complete | 1-A | SC-363L | Mounting Screw (one each) |
| 1 | HHC-20 | Plastic Cup w/Tilter | 1 | DC-511AA | Chain Connecting Bracket Assy. (Top) | 1-B | NP-283N | Traction Grip (one each) |
| 2 | SB-55 | Allen Screw (one each) | 1-A | DC-511A | Chain Connecting Bracket ONLY (Top) | 2 | DC-508A | Toe Stopper Assy. |
| D | CAU-2000 | Cable Unit Complete, w/Nuts & Washers | 1-B | KB-508 | Key Bolt | 2-A | KB-508 | Key Bolt |
| E | SB-55 | Allen Screw (one each) | 1-C | ME-244 | Chain End Connector Assy. (one each) | 3 | SC-261 | Screw (one each) |
| F | KB-625W | Key Bolt w/Washers | 2 | DC-511BA | Chain Connecting Bracket Assy. (Bottom) | 4 | DC-398 | Heel Position Adjust Nut |
| G | PR-571A | Leg Assy. Complete | 2-A | DC-511B | Chain Connecting Bracket ONLY (Bottom) | 5 | KB-608 | Key Bolt |
| 1 | KB-625W | Key Bolt w/Washers | 2-B | SC-322S | Screw | 6 | DC-512SN | Footboard Assy. ONLY |
| 2 | PR-571 | Leg ONLY | 2-C | SC-284 | Screw (one each) | O | PR-554F | Pedal Frame Assy. Complete |
| 3 | CT-88A | Convertible Tip Assy. Complete | 2-D | ME-244 | Chain End Connector Assy. (one each) | 1 | NP-285 | Rubber Mat |
| 3-A | R-8H | Rubber Tip | K | DC-509A | Aluminum Wheel Assy. Complete | P | ME-520A | Frame Sleeve w/Screw |
| 3-B | AN-88 | Spike | 1 | SC-327H | Flat-head Screw | Q | SC-348 | Key Bolt |
| 3-C | KB-615W | Key Bolt w/Washers | 2 | PR-546 | Slider Bracket | R | LT-626 | Anchor Screw w/Spring |
| | | | 3 | NU-10 | Hexagonal Nut | | | |
| | | | 4 | FE-40C | Felt | | | |
| | | | 5 | SB-66 | Allen Screw (one each) | | | |

HI-HAT STANDS

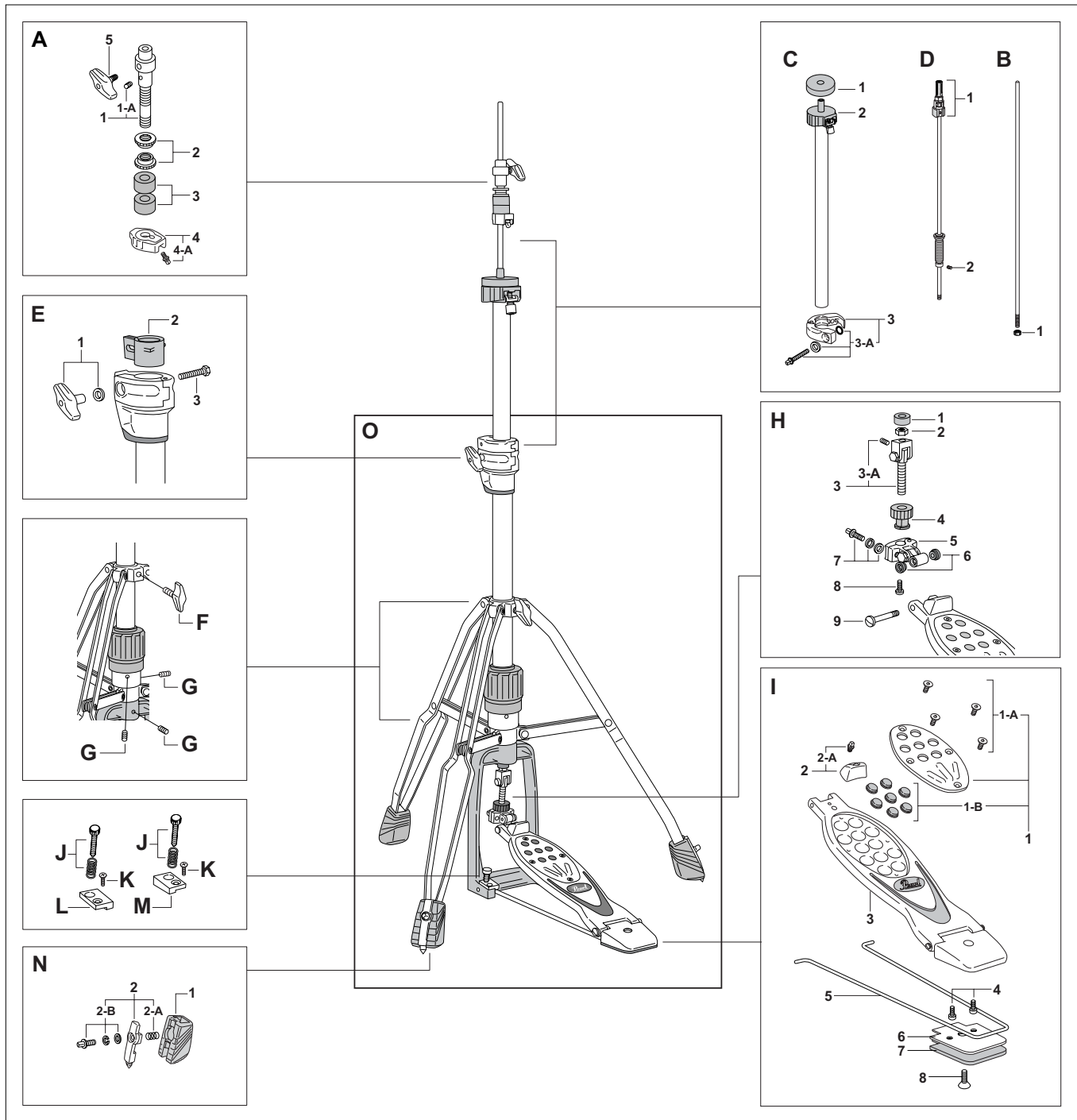
H-2000



- | | | | | | | |
|-----------|-----------------|---|----------|----------------|---|---|
| A | SGC-300P | Super Grip Clutch | | | | |
| 1 | DC-526A | Pipe Bolt | 4 | DC-524A | Rod Connector, Complete | |
| 1-A | SB-44 | Allen Screw | 4-A | NP-296 | Rubber Cushion | |
| 2 | CL-95N | Lock Nut (one each) | 4-B | SB-44 | Allen Screw | |
| 3 | NP-210 | Rubber Washer (one each) | 5 | SP-67 | Waggie Spring | |
| 4 | DC-554A | Bottom Lock Nut | 6 | NU-19 | Nut | |
| 4-A | KB-610 | Key Bolt | | J | DC-525A | Aluminum Pull Cam Assy. Complete |
| 5 | UGN-6 | Die-Cast Wing Nut w/Washer | 1 | FE-41 | Felt Strip | |
| 6 | SC-168R | Clamp Bolt w/Nylon Washer | 2 | KB-625W | Key Bolt w/Washers | |
| | | | 3 | ME-519A | Drive Shaft Sleeve w/Allen Screw | |
| B | ME-145SA | Upper Pull Rod | | K | CCA-5H | Double Chain Assy. Complete |
| 1 | ME-688 | Lock Nut | 1 | DC-511AA | Chain Connecting Bracket Assy. (Top) | |
| C | HUP-200 | Upper Tube Assy. Complete | 1-A | DC-511A | Chain Connecting Bracket ONLY (Top) | |
| 1 | NP-208 | Rubber Cup Washer | 1-B | KB-508 | Key Bolt | |
| 2 | HHC-20 | Plastic Cup w/Filter | 1-C | ME-244 | Chain End Connector Assy. (one set) | |
| 3 | DC-580A | Stop Lock, Complete | 2 | DC-511BA | Chain Connecting Bracket Assy. (Bottom) | |
| 3-A | KB-625WO | Key Bolt w/Washer | 2-A | DC-511B | Chain Connecting Bracket ONLY (Bottom) | |
| D | LS-200 | Lower Pull Rod, Complete | 2-B | SC-322S | Screw | |
| 1 | DC-687A | Swivel Joint Assy. w/Allen Screw | 2-C | SC-284 | Screw (one each) | |
| 2 | SB-44 | Allen Screw | 2-D | ME-244 | Chain End Connector Assy. (one set) | |
| E | DJ-800 | Die-Cast Joint Assy. Complete | L | DC-509A | Aluminum Wheel Assy. Complete | |
| 1 | UGN-6 | Die-Cast Wing Nut w/Washer | 1 | SC-327H | Flat-head Screw | |
| 2 | NP-365 | Nylon Bushing | 1-B | PR-546 | Slider Bracket | |
| 3 | SC-169 | Clamp Bolt | 3 | NU-10 | Hexagonal Nut | |
| F | UGB-815 | Die-Cast Wing Bolt | 4 | FE-40C | Felt | |
| G | SB-55 | Allen Screw | 5 | SB-66 | Allen Screw (one each) | |
| H | KB-625W | Key Bolt w/Washers | M | | Interchangeable Cam | |
| 1 | UGN-6 | Die-Cast Wing Nut w/Washer | 1 | CAM-BK | Black Cam | |
| 2 | NP-365 | Nylon Bushing | 2 | CAM-WT | White Cam | |
| 3 | SC-169 | Clamp Bolt | 3 | CAM-BL | Blue Cam | |
| I | | | 4 | CAM-RD | Red Cam | |
| J | | | | | | |
| 1 | DC-400 | Chain Connector | | | | |
| 2 | SC-94W | Screw with Washer | | | | |
| 3 | ME-244 | Chain End Connector Assy. (one each) | | | | |
| K | | | | | | |
| 1 | DC-400 | Chain Connector | | | | |
| 2 | SC-94W | Screw with Washer | | | | |
| 3 | ME-244 | Chain End Connector Assy. (one each) | | | | |
| L | | | | | | |
| 1 | DC-400 | Chain Connector | | | | |
| 2 | SC-94W | Screw with Washer | | | | |
| 3 | ME-244 | Chain End Connector Assy. (one each) | | | | |
| M | | | | | | |
| 1 | CAM-BK | Black Cam | | | | |
| 2 | CAM-WT | White Cam | | | | |
| 3 | CAM-BL | Blue Cam | | | | |
| 4 | CAM-RD | Red Cam | | | | |
| N | ME-517A | Hexagonal Axle Assy. | | | | |
| 1 | ME-517 | Hexagonal Axle ONLY | | | | |
| 2 | ME-518A | Axle Sleeve w/Allen Screws | | | | |
| 2-A | SB-44 | Allen Screw (one each) | | | | |
| 3 | NU-07B | Bearing (one each) | | | | |
| 4 | BSA-3 | End Nut w/Washer | | | | |
| O | FB-2000A | Footboard Assy. Complete | | | | |
| 1 | AL-24A | Traction Plate Assy. | | | | |
| 1-A | SC-363L | Mounting Screw (one each) | | | | |
| 1-B | NP-283N | Traction Grip (one each) | | | | |
| 2 | DC-508A | Toe Stopper Assy. | | | | |
| 2-A | KB-508 | Key Bolt | | | | |
| 3 | SC-261 | Screw (one each) | | | | |
| 4 | DC-398 | Heel Position Adjust Nut | | | | |
| 5 | KB-608 | Key Bolt | | | | |
| 6 | DC-512SN | Footboard Assy. ONLY | | | | |
| P | PR-660F | Pedal Frame Assy. Complete | | | | |
| 1 | NP-285 | Rubber Mat | | | | |
| Q | DC-701LA | Frame Sleeve w/Screw | | | | |
| 1 | LT-626 | Anchor Screw w/Spring | | | | |
| R | SC-39 | Screw (one each) | | | | |
| S | DC-700LA | Receiver Clamp w/Key Bolt & Washer - Left | | | | |
| S' | DC-700RA | Receiver Clamp w/Key Bolt & Washer - Right | | | | |
| T | ME-712 | Pivot Screw | | | | |
| U | KB-625 | Key Bolt | | | | |
| V | DC-699A | Docking Station Clamp w/Key Bolt & Spring | | | | |
| W | H-207BA | Base Assy. Complete | | | | |

HI-HAT STANDS

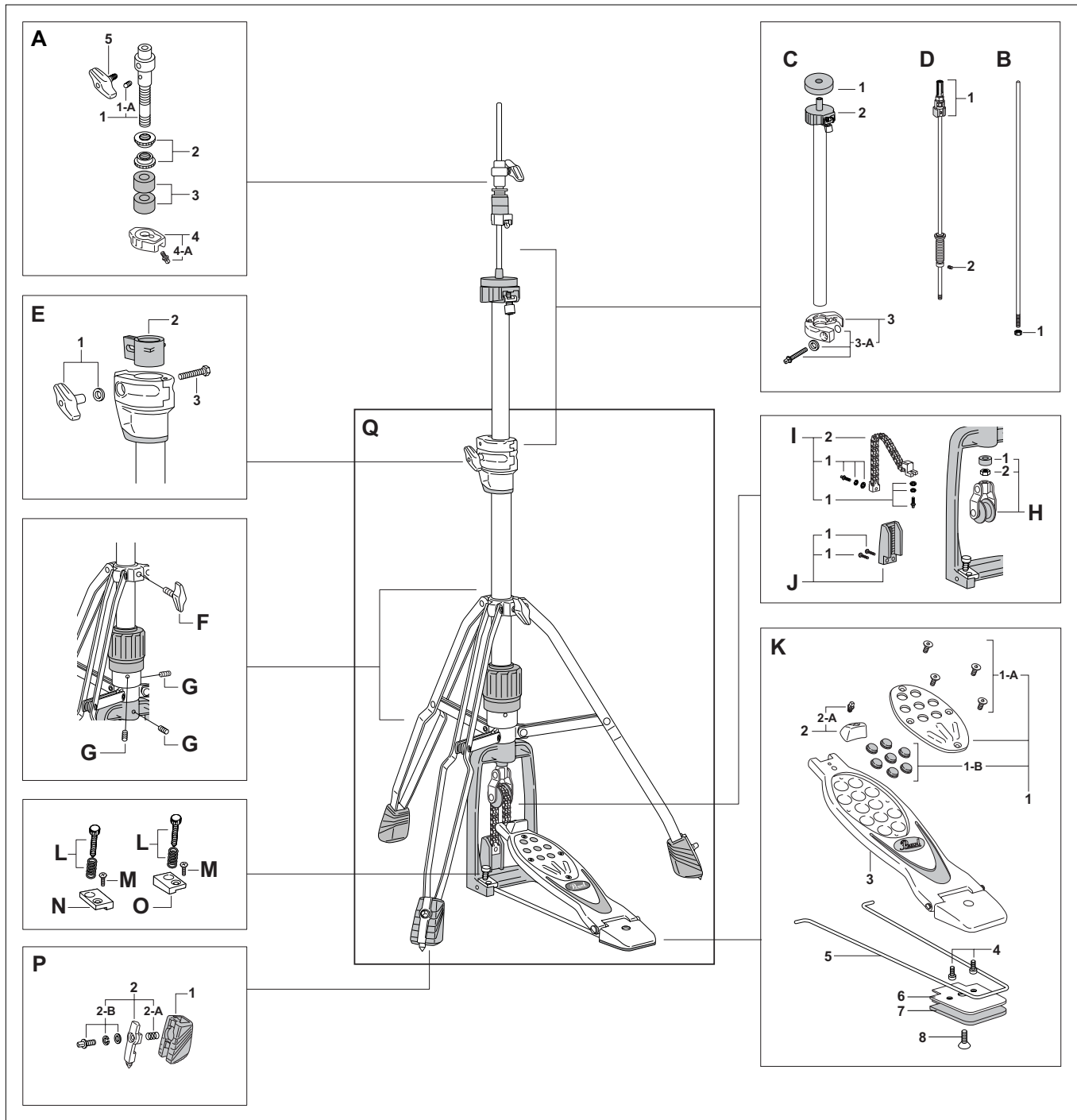
H-1000



- | | | | | | | | | |
|----------|----------------|--------------------------------------|----------|-----------------|---------------------------------|----------|-----------------|---------------------------------------|
| A | CL-300 | Hi-Hat Clutch Complete | F | UGB-815 | Die-Cast Wing Bolt | 5 | ME-640 | Radius Rod |
| 1 | ME-573AC | Pipe Bolt | G | SB-55 | Allen Screw | 6 | PR-447 | Radius Rod Cover |
| 1-A | SB-44 | Allen Screw | H | FCA-100 | Pedal Link Complete | 7 | NP-387 | Rubber Mat |
| 2 | CL-95N | Lock Nut (one each) | 1 | NP-377 | Rubber Washer | 8 | SC-258 | Screw |
| 3 | FL-95 | Felt Washer (one each) | 2 | NU-19 | Nut | J | LT-636 | Anchor Screw w/Spring |
| 4 | DC-554A | Bottom Lock Nut Complete | 3 | ME-643AC | Upper Link Assy. | K | SC-39 | Screw |
| 4-A | KB-610 | Key Bolt | 3-A | SB-44 | Allen Screw | L | DC-557LF | Anchor Plate, Left |
| 5 | UGB-610 | Die-Cast Wing Bolt | 4 | NP-353 | Height Adjuster | M | DC-557RF | Anchor Plate, Right |
| B | ME-145A | Upper Pull Rod | 5 | DC-556AC | Lower Link Assy. | N | NP-427AC | Convertible Tip Assy. Complete |
| 1 | ME-688 | Lock Nut | 6 | NP-352 | Nylon Spacer (one each) | 1 | NP-427 | Rubber Tip ONLY |
| C | HUP-100 | Upper Tube Assy. Complete | 7 | KB-615W | Key Bolt w/Washers | 2 | DC-523A | Spike Assy. Complete |
| 1 | FE-17 | Felt Washer | 8 | SC-351 | Screw | 2-A | SP-33 | Spring |
| 2 | HHC-20 | Plastic Cup w/Tilter | 9 | ME-569 | Pivot Bolt | 2-B | KB-625W | Key Bolt w/Washers |
| 3 | DC-580A | Stop Lock, Complete | I | FB-1000H | Footboard Assy. Complete | O | H-100 | Base Assy. Complete |
| 3-A | KB-625WO | Key Bolt w/Washers | 1 | AL-24SA | Traction Plate Assy. | | | |
| D | LS-200 | Lower Pull Rod Complete | 1-A | SC-363L | Mounting Screw (one each) | | | |
| 1 | DC-687A | Swivel Joint Assy. w/Allen Screw | 1-B | NP-283N | Traction Grip (one each) | | | |
| 2 | SB-44 | Allen Screw | 2 | DC-508A | Toe Stopper Assy. | | | |
| E | DJ-800 | Die-Cast Joint Assy. Complete | 2-A | KB-508 | Key Bolt | | | |
| 1 | UGN-6 | Die-Cast Wing Nut w/Washer | 3 | DC-512SH | Footboard Assy. ONLY | | | |
| 2 | NP-365 | Nylon Bushing | 4 | SC-261 | Screw (one each) | | | |
| 3 | SC-169 | Clamp Bolt | | | | | | |

HI-HAT STANDS

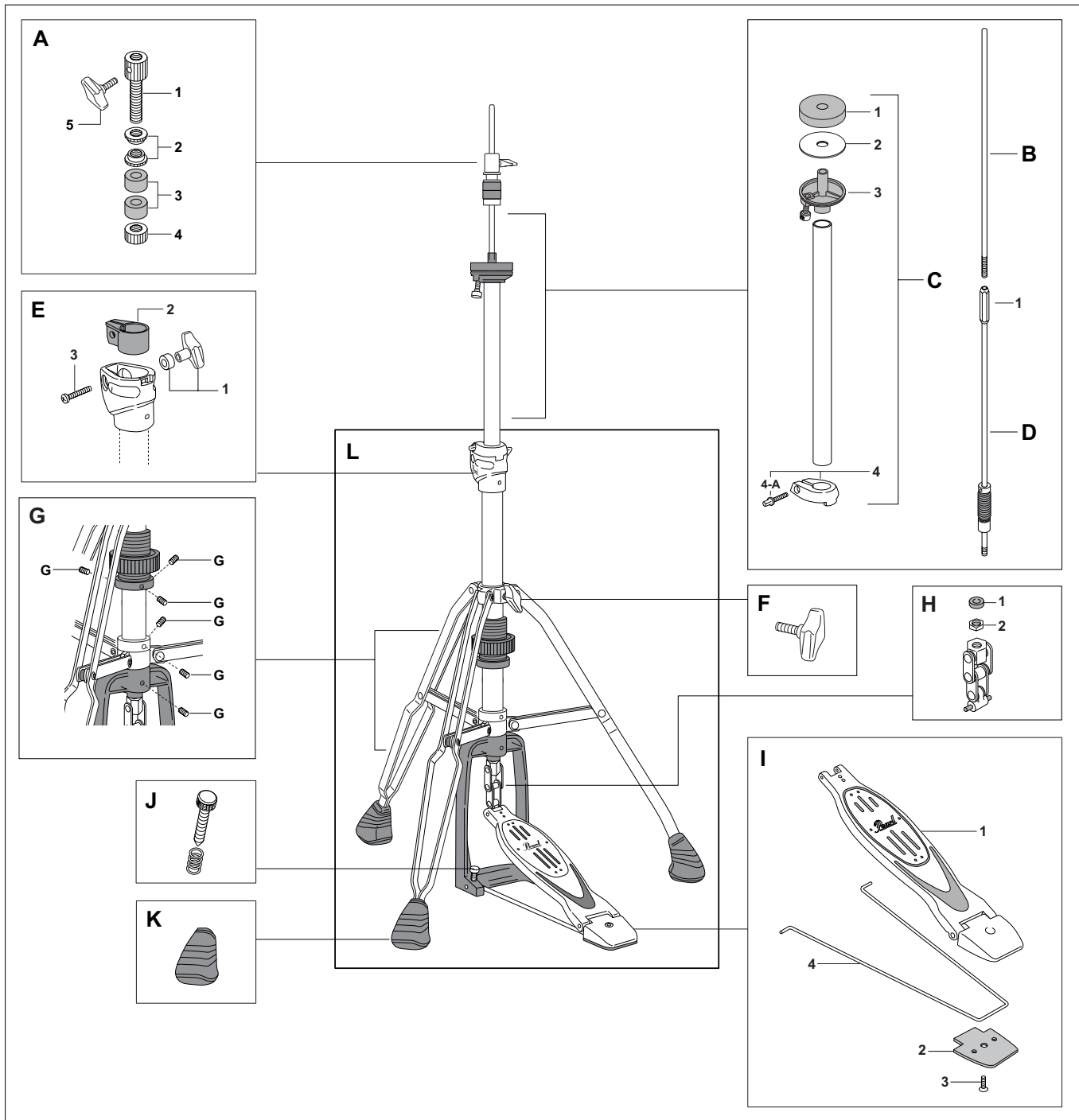
H-1000K



A	CL-300	Hi-Hat Clutch Complete	F	UGB-815	Die-Cast Wing Bolt	7	NP-387	Rubber Mat
1	ME-573AC	Pipe Bolt	G	SB-55	Allen Screw	8	SC-258	Screw
1-A	SB-44	Allen Screw	H	CHW-10K	Chain Wheel Assy. Complete	L	LT-636	Anchor Screw w/Spring
2	CL-95N	Lock Nut (one each)	1	NP-377	Rubber Washer	M	SC-39	Screw
3	FL-95	Felt Washer (one each)	2	ME-649A	Chain ONLY	N	DC-557LF	Anchor Plate, Left
4	DC-554A	Bottom Lock Nut Complete	I	ME-649AC	Connecting Chain Assy. Complete	O	KB-625W	Key Bolt w/Washers
4-A	KB-610	Key Bolt	1	KB-615W	Key Bolt w/Washers (one set)	P	NP-427AC	Convertible Tip Assy. Complete
5	UGB-610	Die-Cast Wing Bolt	1	S-520	Chain ONLY	1	NP-427	Rubber Tip ONLY
B	ME-145A	Upper Pull Rod	2	FB-1000K	Footboard Assy. Complete	2	DC-523A	Spike Assy. Complete
1	ME-688	Lock Nut	1-A	AL-24SA	Traction Plate Assy.	2-A	SP-33	Spring
C	HUP-100	Upper Tube Assy. Complete	1-B	SC-363L	Mounting Screw (one each)	2-B	KB-625W	Key Bolt w/Washers
1	FE-17	Felt Washer	2	NP-283N	Traction Grip (one each)	Q	H-100KBA	Base Assy. Complete
2	HHC-20	Plastic Cup w/Tilter	2	DC-508A	Toe Stopper Assy.			
3	DC-580A	Stop Lock, Complete	2-A	KB-508	Key Bolt			
3-A	KB-625WO	Upper Bolt w/Washers	3	DC-512SN	Footboard Assy. ONLY			
D	LS-200	Lower Pull Rod Complete	4	SC-261	Screw (one each)			
1	DC-687A	Swivel Joint Assy. w/Allen Screw	5	ME-641	Radius Rod			
2	SB-44	Allen Screw	6	PR-447	Radius Rod Cover			
E	DJ-800	Die-Cast Joint Assy. Complete						
1	UGN-6	Die-Cast Wing Nut w/Washer						
2	NP-365	Nylon Bushing						
3	SC-169	Clamp Bolt						

HI-HAT STANDS

H-900

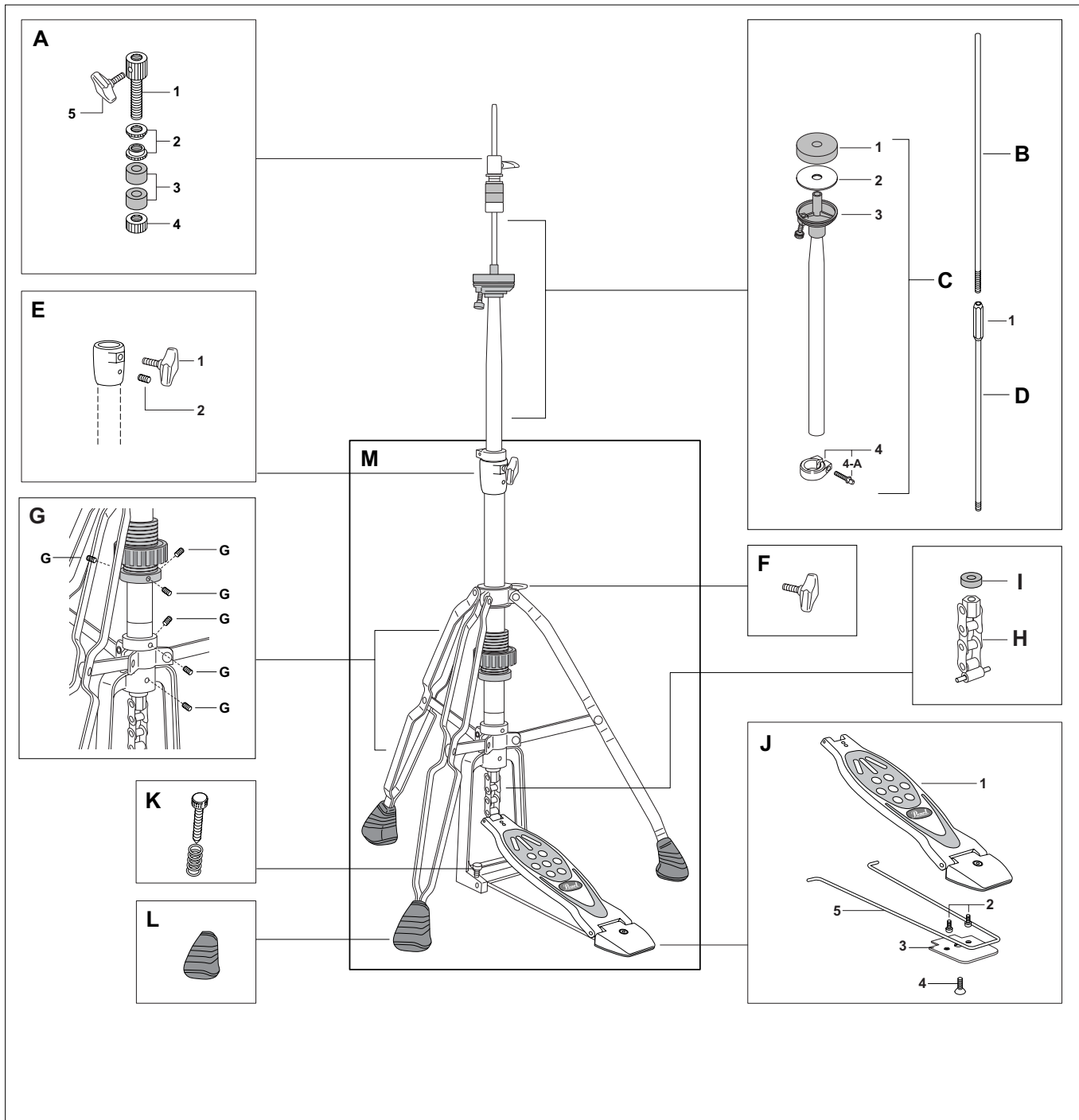


- | | | |
|----------|---------------|--------------------------------------|
| A | HCL-90 | Hi-Hat Clutch Complete |
| 1 | ME-36 | Pipe Bolt |
| 2 | CL-65N | Lock Nut (one each) |
| 3 | FL-95 | Felt Washer (one each) |
| 4 | ME-38 | Bottom Lock Nut |
| 5 | UGB-610 | Die-Cast Wing Bolt |
| B | ME-145 | Upper Pull Rod |
| C | UT-H90 | Upper Tube Assy. Complete |
| 1 | FE-17 | Felt Washer |
| 2 | PR-128 | Steel Washer |
| 3 | HHC-90 | Plastic Cup w/Tilter |
| 4 | ZD-24A | Stop Lock, Complete |
| 4-A | KB-625 | Key Bolt |
| D | LPR-90 | Lower Pull Rod Complete |
| 1 | ME-123 | Pull Rod Connector ONLY |
| E | PJ-90L | Die-Cast Joint Assy. Complete |
| 1 | UGN-6C | Die-Cast Wing Nut w/Collar |
| 2 | PL-8 | Nylon Bushing |
| 3 | SC-392 | Clamp Bolt |

- | | | |
|----------|----------------|---------------------------------|
| F | UGB-815 | Die-Cast Wing Bolt |
| G | SB-55 | Allen Screw (one each) |
| H | LC-90 | Lower Connector Assy. |
| 1 | NP-377 | Ruber Washer |
| 2 | NU-19 | Nut |
| I | FB-H90 | Footboard Assy. Complete |
| 1 | FB-90H | Footboard ONLY |
| 2 | RRC-90 | Screw (one each) |
| 3 | SC-258 | Screw |
| 4 | ME-640 | Radius Rod |
| J | LT-626 | Anchor Screw w/Spring |
| K | R-22N | Rubber Tip |
| L | BA-H90 | Base Assy. Complete |

HI-HAT STANDS

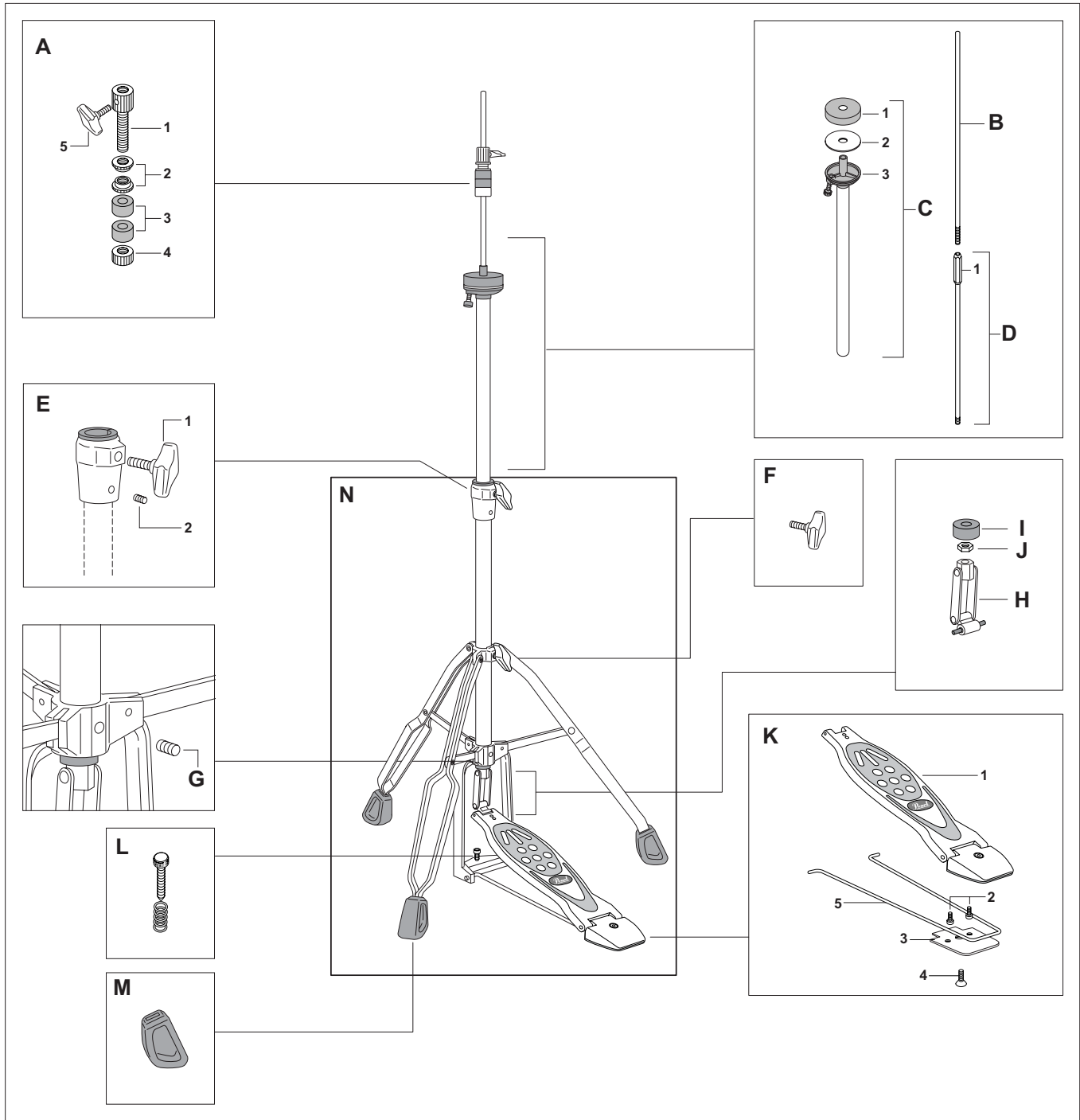
H-820W



A	CL-68N	Hi-Hat Clutch Complete	F	UGB-815	Die-Cast Wing Bolt
1	ME-36	Pipe Bolt	G	SB-54	Allen Screw (one each)
2	CL-65N	Lock Nut (one each)	H	CHS-1A	Chain Assy. Complete
3	FE-10	Felt Washer (one each)	I	FE-16	Felt Washer
4	ME-38	Bottom Lock Nut	J	FB-820	Footboard Assy. Complete
5	UGB-610	Die-Cast Wing Bolt	1	DC-643S	Footboard ONLY
B	ME-145	Upper Pull Rod	2	SC-261	Screw (one each)
C	PP-82AF	Upper Tube Assy. Complete	3	PR-447	Radius Rod Cover
1	FE-33	Felt Washer	4	SC-258	Screw
2	PR-128	Steel Washer	5	ME-640	Radius Rod
3	HHC-1	Plastic Cup w/Tilter	K	LT-626	Anchor Screw w/Spring
4	SX-2NN	Stop Lock, Complete	L	R-22N	Rubber Tip
4-A	KB-630	Key Bolt	M	H-82BA	Base Assy. Complete
D	LS-85	Lower Pull Rod Complete			
1	ME-123	Pull Rod Connector ONLY			
E	DJ-75A	Die-Cast Joint Assy. Complete			
1	UGB-815	Die-Cast Wing Bolt			
2	SB-44	Allen Screw			

HI-HAT STANDS

H-72W



A CL-68N Hi-Hat Clutch Complete

- 1 ME-36 Pipe Bolt
- 2 CL-65N Lock Nut (one each)
- 3 FE-10 Felt Washer (one each)
- 4 ME-38 Bottom Lock Nut
- 5 UGB-610 Die-Cast Wing Bolt

B ME-145 Upper Pull Rod

C PP-601A Upper Tube Assy. Complete

- 1 FE-33 Felt Washer
- 2 PR-128 Steel Washer
- 3 HHC-07A Plastic Cup w/Tilter

D ME-605AN Lower Pull Rod Complete

- 1 ME-42N Pull Rod Connector ONLY

E DJ-07A Die-Cast Joint Assy. Complete

- 1 UGB-815 Die-Cast Wing Bolt
- 2 SB-44 Allen Screw

F UGB-815 Die-Cast Wing Bolt

G SB-54 Allen Screw

H ME-197AA Pull Rod Link Assy.

I FE-16 Felt

J SN-6M Hexagonal Nut

K FB-820 Footboard Assy. Complete

- 1 DC-643S Footboard ONLY
- 2 SC-261 Screw (one each)
- 3 PR-447 Radius Rod Cover
- 4 SC-258 Screw
- 5 ME-640 Radius Rod

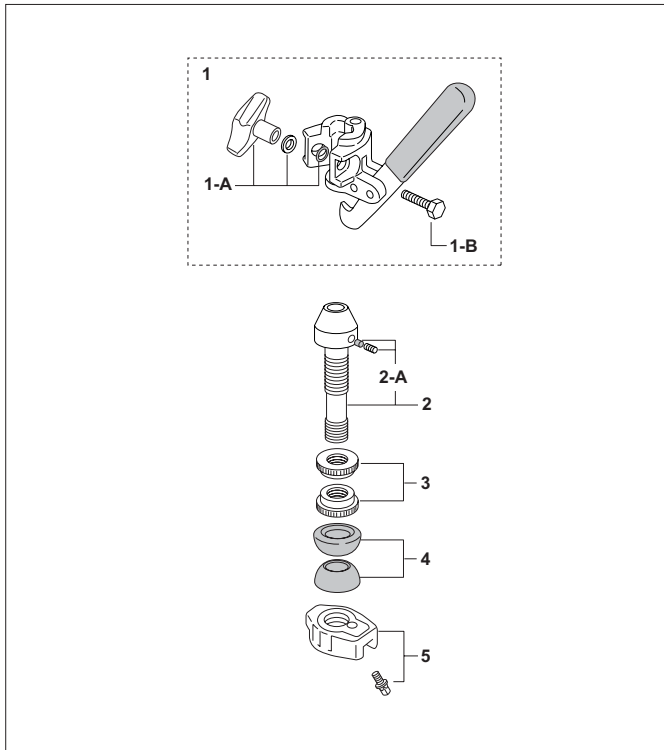
L LT-622 Anchor Screw w/Spring

M NP-604 Rubber Tip

N H-7WL Base Assy. Complete

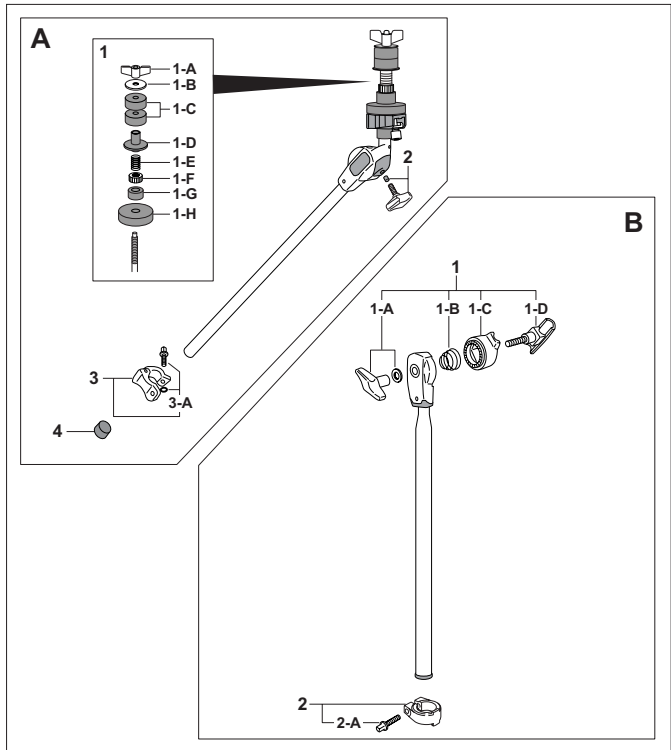
HI-HAT ACCESSORIES

DCL-300P Drop Clutch



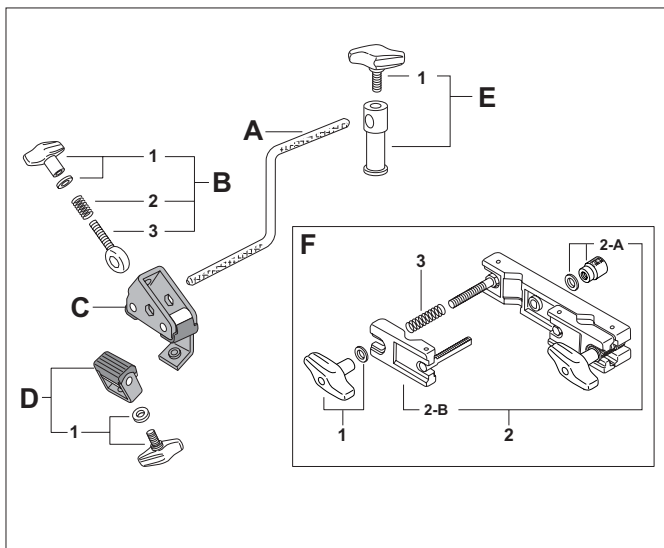
- | | | |
|-----|----------|-----------------------------|
| 1 | DCL-300T | Drop Clutch Head Assy. |
| 1-A | UGN-6 | Die Cast Wing Nut w/Washers |
| 1-B | SC-168 | Hex Head Bolt |
| 2 | ME-642A | Drop Clutch Bolt |
| 2-A | SB-55 | Allen Screw w/Pin |
| 3 | ME-137 | Lock Nut (One each) |
| 4 | NP-210 | Rubber Washer (One each) |
| 5 | DC-554AC | Bottom Lock Nut w/Key Bolt |

CLH-1000



- | | | | | | |
|----------|------------------|-------------------------------------|----------|----------------|----------------------------|
| A | CLH-1000U | Upper Section Assy. Complete | 3 | DC-625A | Stop Lock Complete |
| 1 | TLH-1000A | Top Section Assy. | 3-A | KB-815WO | Key Bolt w/Washer |
| 1-A | M-8W | Die Cast Wing Nut | 4 | NP-71 | Rubber Tip |
| 1-B | WS-57 | Steel Washer | B | TU-200A | Tube Assy. Complete |
| 1-C | FL-95A | Felt Washer (One each) | 1 | BC-100A | Boom Clamp Assy. Complete |
| 1-D | NP-123 | Plastic Sleeve | 1-A | UGN-8L | Die-Cast Wing Nut w/Washer |
| 1-E | SP-41 | Spring | 1-B | SP-27N | Spring |
| 1-F | ME-188 | Lock Nut | 1-C | DC-594 | Clamp Gear Link |
| 1-G | FE-15T | Felt Washer | 1-D | DC-596A | Boom Clamp Bolt |
| 1-H | FE-17 | Felt Washer | 2 | SX-2N | Stop Lock Complete |
| 2 | UGB-815P | Wing Bolt w/Pin | 2-A | KB-630 | Key Bolt |

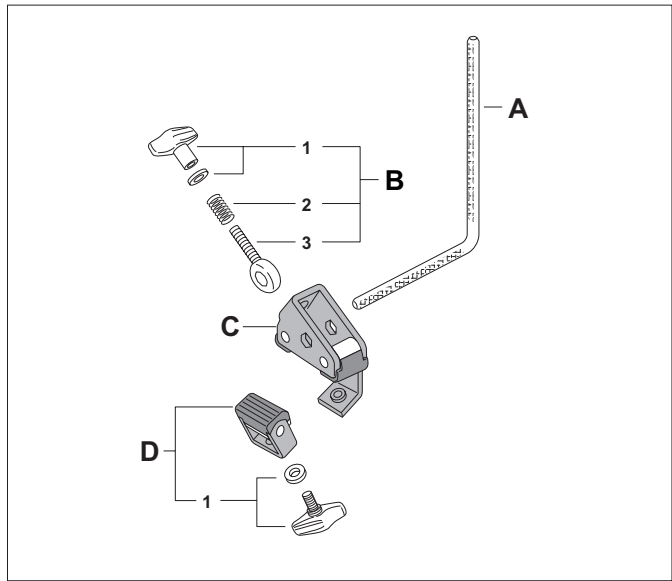
HA-100 Hi-Hat Attachment



- | | | | | | |
|----------|----------------|--------------------------------|----------|----------------|--|
| A | ME-534 | Crank Rod | E | ME-536A | Crank Rod Bracket |
| B | SC-271A | Eye Bolt Assy. Complete | 1 | UGB-825 | Die-Cast Wing Bolt |
| 1 | UGN-8 | Die-Cast Wing Nut w/Washer | F | AX-20 | Adapter |
| 2 | SP-20S | Spring | 1 | UGN-8 | Die-Cast Wing Nut w/Washer |
| 3 | SC-271 | Eye Bolt Only | 2 | AX-2DS | Die-Cast Link w/Swivel Bolt and Knurled Round Nut w/Washer |
| C | PR-570A | Hoop Mount Holder Assy. | 2-A | M-8RN | Knurled Round Nut w/Washer |
| D | PR-569A | Hoop Clamp Assy. | 2-B | DS-20B | Die-Cast Link w/Swivel Bolt |
| 1 | UGB-820 | Die-Cast Wing Bolt w/Washer | 3 | SP-26 | Spring |

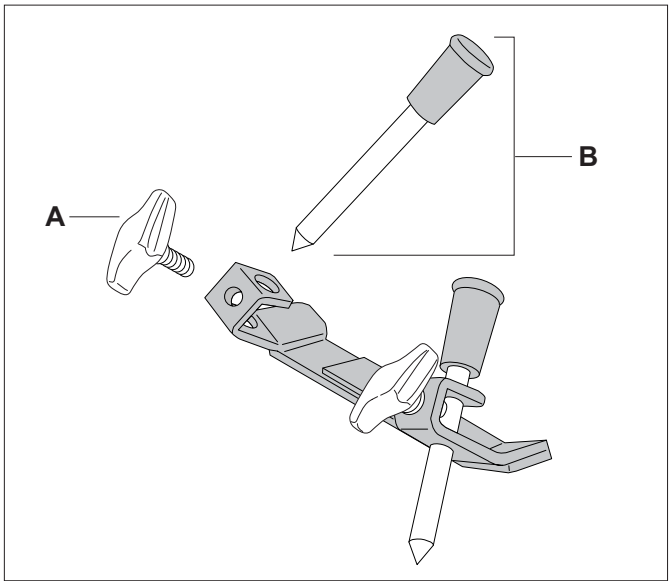
ACCESSORIES

CA-100 Cowbell Holder



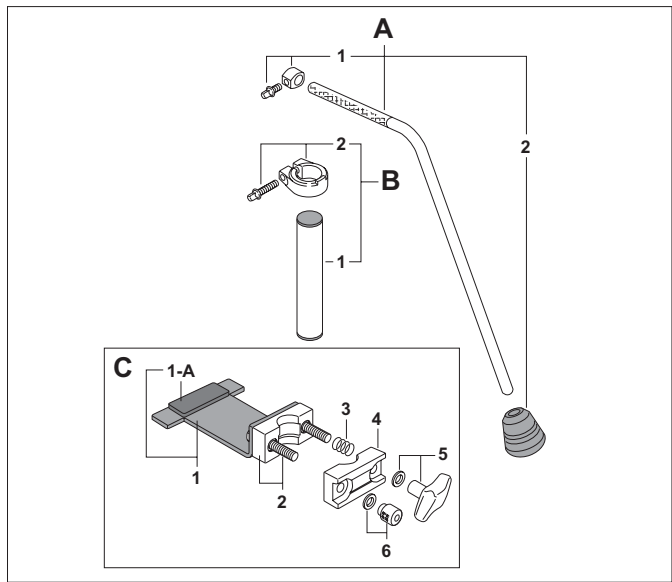
- A ME-535 L Rod
- B SC-271A Eye Bolt Assy. Complete
- 1 UGN-8 Die-Cast Wing Nut w/Washer
- 2 SP-20S Spring
- 3 SC-271 Eye Bolt Only
- C PR-570A Hoop Mount Holder Assy.
- D PR-569A Hoop Clamp Assy.
- 1 UGB-825 Die-Cast Wing Bolt w/Washer

PS-85 Stabilizer



- A UGB-815 Die-Cast Wing Bolt (one each)
- B ME-209A Spike w/Rubber Tip (one each)

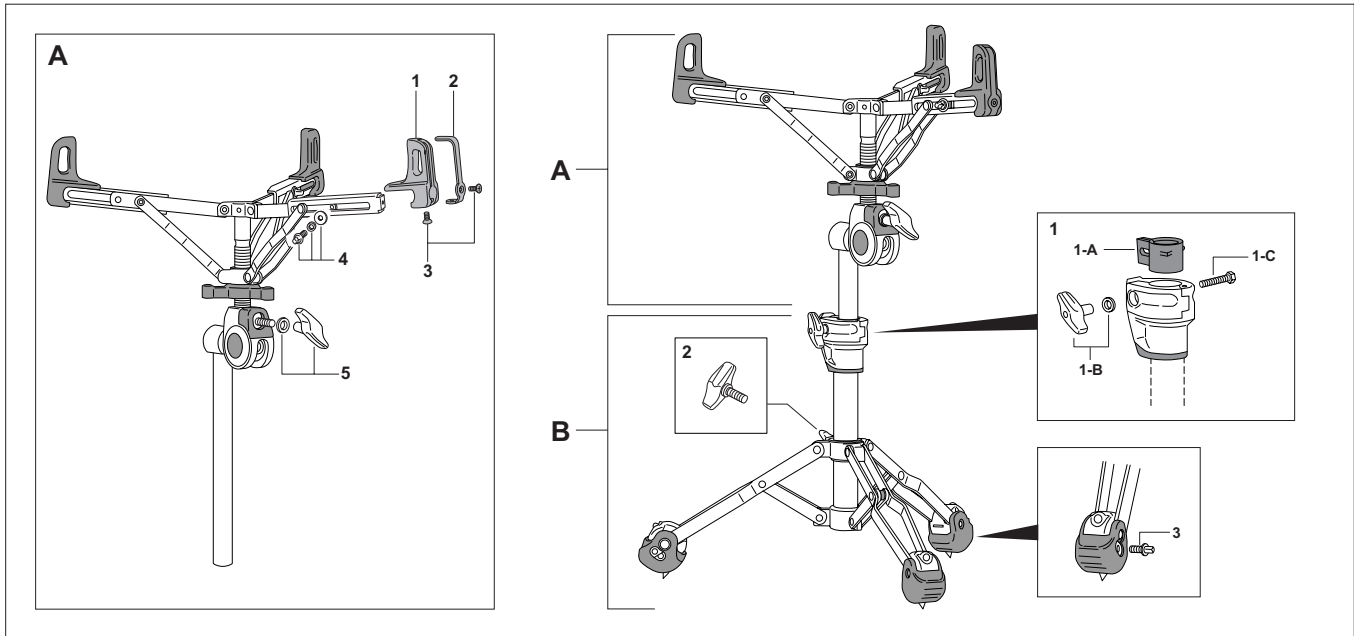
JG-16 Jungle Gig Adaptor



- | | |
|---|---|
| <ul style="list-style-type: none"> A ME-508A Leg Assy. Complete 1 LG-04S Stop Lock Complete 2 R-5 Rubber Tip B PP-182A Pipe Assy. Complete 1 PP-182 Pipe w/Plastic Caps 2 SX-2N Stop Lock, Complete | <ul style="list-style-type: none"> C PR-551AC Pedal Plate Assy. Complete 1 PR-551A Pedal Plate ONLY 1-A NP-140 Rubber Protector 2 DC-365A Pipe Bracket w/Bolts 3 SP-45S Spring 4 DC-366 Die-Cast Link 5 UGN-8 Die-Cast Wing Nut w/Washer 6 M-8RN Knurled Round Nut w/Washer |
|---|---|

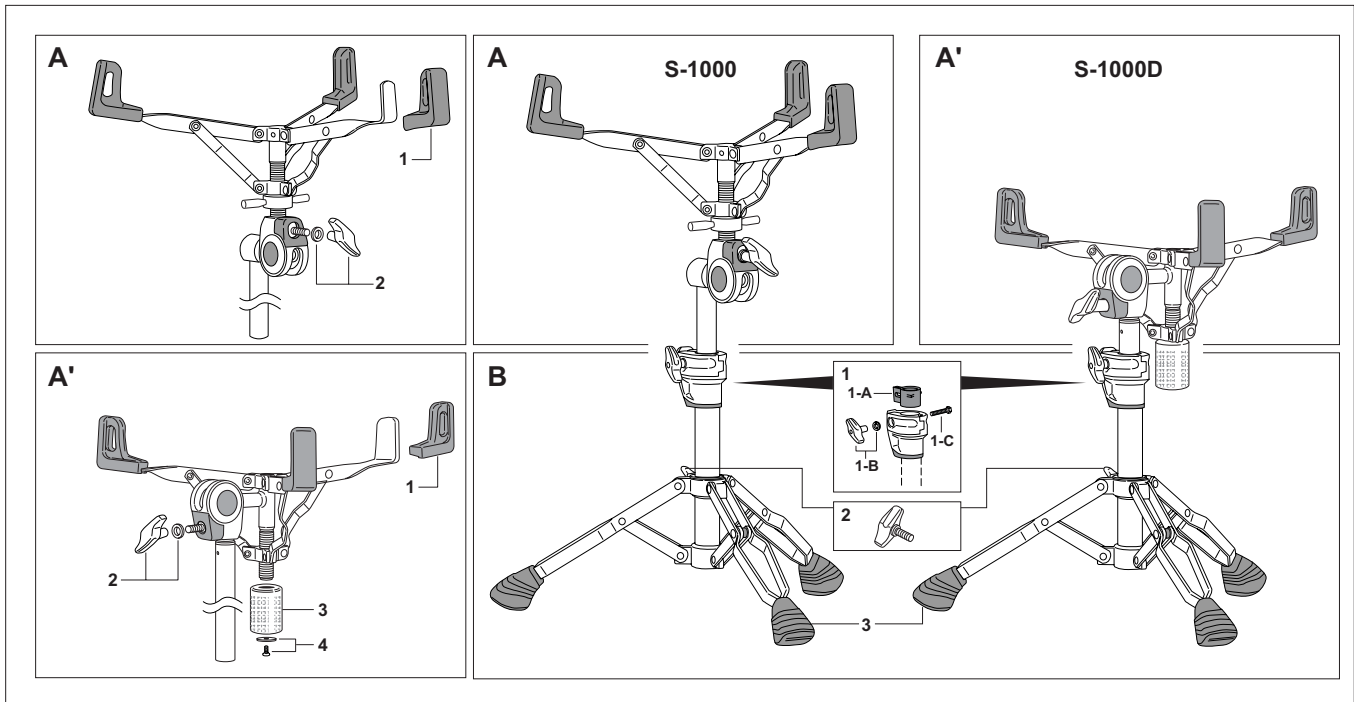
SNARE STANDS

S-2000



- | | | | | | |
|----------|---------------|-----------------------------|----------|---------------|-------------------------------|
| A | S-204A | Basket Complete | B | S-204B | Base Assy. Complete |
| 1 | NP-320 | Rubber Sleeve (one each) | 1 | DJ-700 | Die-Cast Joint Assy. Complete |
| 2 | PR-573 | Rubber Sleeve Support Plate | 1-A | NP-366 | Nylon Bushing |
| 3 | SC-363 | Screw (one each) | 1-B | UGN-6 | Die-Cast Wing Nut w/Washer |
| 4 | KB-610W | Key Bolt w/Washers | 1-C | SC-169 | Clamp Bolt |
| 5 | UGN-8L | Die-Cast Wing Nut w/Washer | 2 | UGB-815 | Die-Cast Wing Bolt |
| | | | 3 | KB-625 | Key Bolt |

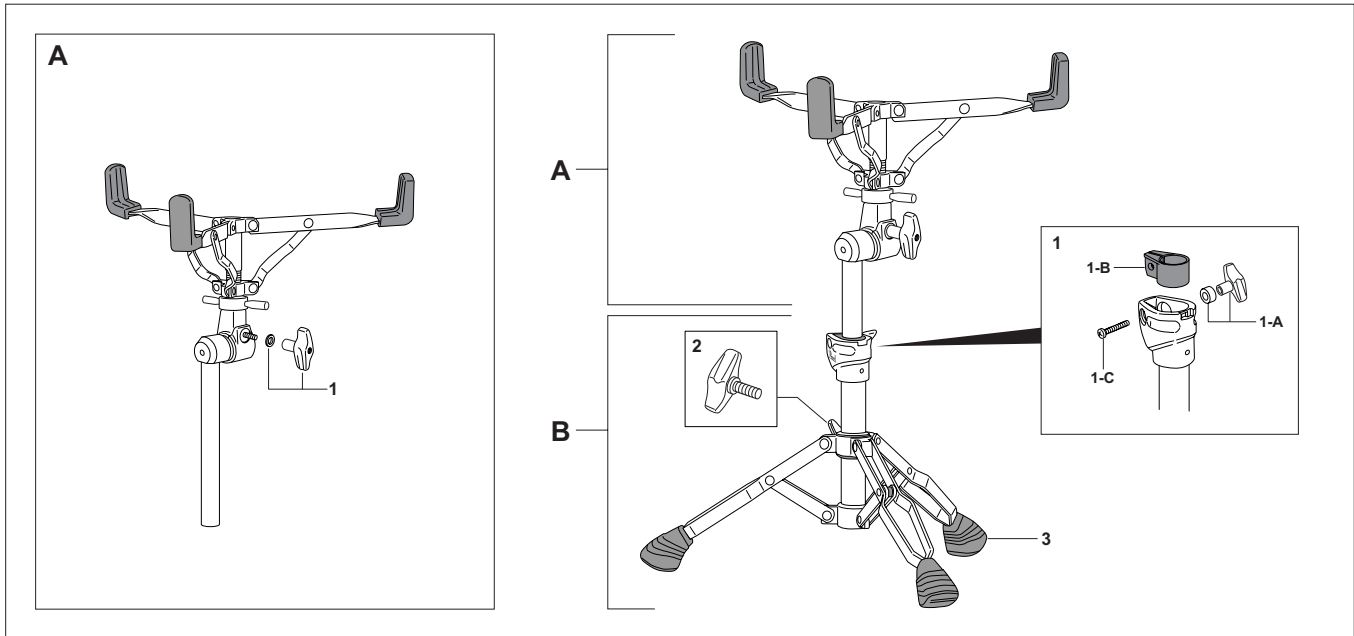
S-1000 / S-1000D



- | | | | | | | | | |
|----------|---------------|----------------------------|-----------|----------------|----------------------------|----------|---------------|-------------------------------|
| A | S-100A | Basket Complete | A' | S-100DA | Basket Complete | B | S-100B | Base Assy. Complete |
| 1 | NP-358 | Rubber Sleeve (one each) | 1 | NP-358 | Rubber Sleeve (one each) | 1 | DJ-700 | Die-Cast Joint Assy. Complete |
| 2 | UGN-8L | Die-Cast Wing Nut w/Washer | 2 | UGN-8L | Die-Cast Wing Nut w/Washer | 1-A | NP-366 | Nylon Bushing |
| | | | 3 | ME-698 | Adjustment Dial | 1-B | UGN-6 | Die-Cast Wing Nut w/Washer |
| | | | 4 | ME-697A | Flat Head Screw w/Washer | 1-C | SC-169 | Clamp Bolt |
| | | | | | | 2 | UGB-815 | Die-Cast Wing Bolt |
| | | | | | | 3 | R-20N | Rubber Tip (one each) |

SNARE STANDS

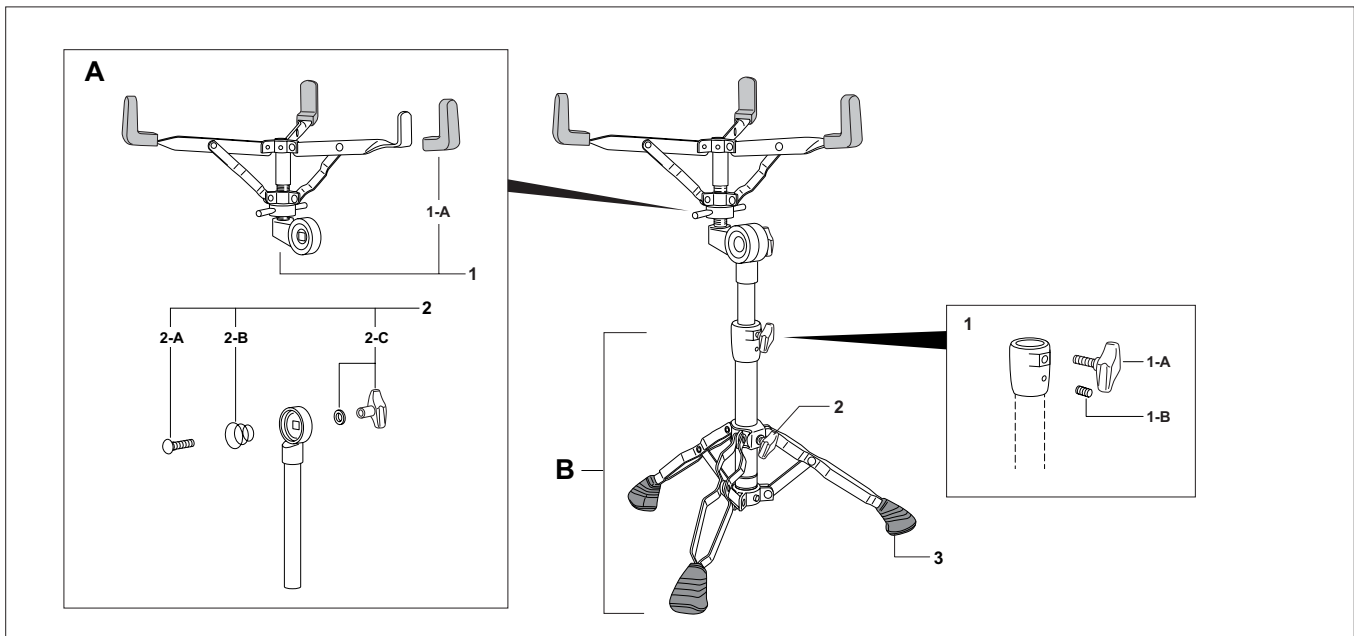
S-900



A S-90A Basket Complete
 1 UGN-8L Die-Cast Wing Nut w/Washer

B BA-S90 Base Assy. Complete
 1 PJ-90L Die-Cast Joint Assy. Complete
 1-A UGN-6C Die-Cast Wing Nut w/Washer
 1-B PL-8 Nylon Bushing
 1-C SC-392 Clamp Bolt
 2 UGB-815 Die-Cast Wing Bolt
 3 R-20N Rubber Tip (one each)

S-800W

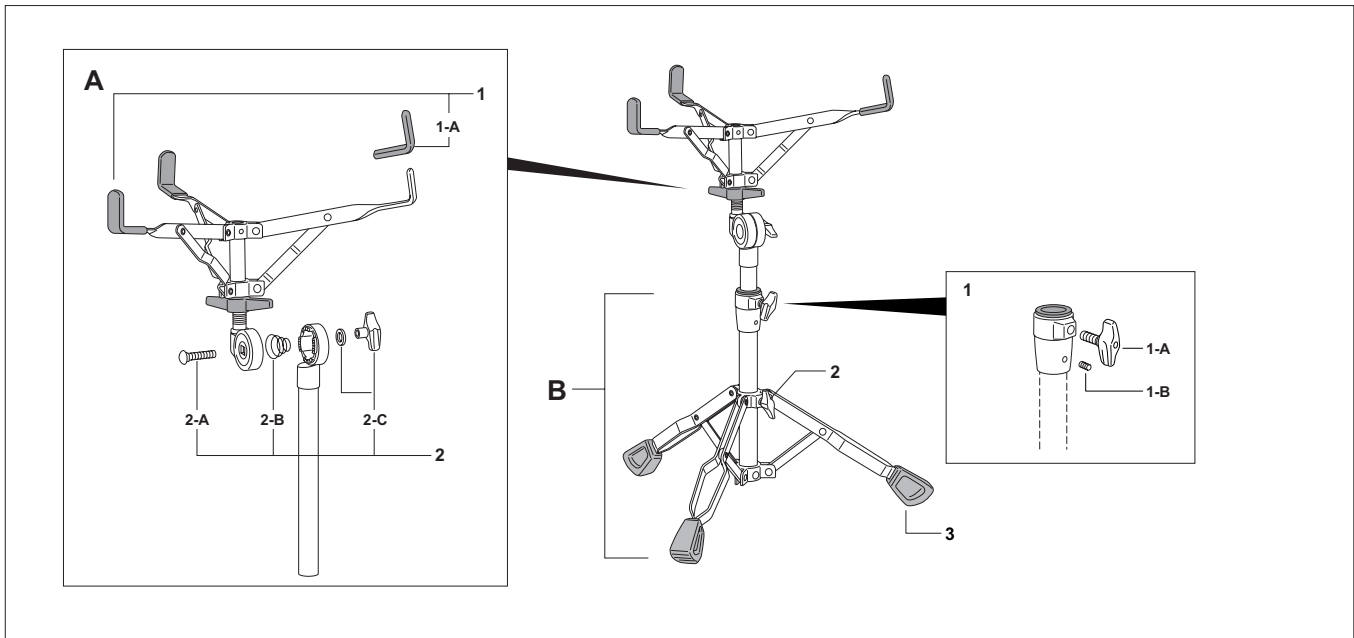


A S-80AN Basket Complete
 1 S-80AAN Basket Assy. w/Rubber Sleeves
 1-A S-85C Rubber Sleeve (one each)
 2 SN-85A Bolt & Nut Set w/Spring
 2-A SC-36B Clamp Bolt
 2-B SP-27 Spring
 2-C UGN-8 Die-Cast Wing Nut w/Washer

B S-80B Base Assy. Complete
 1 DJ-75A Die-Cast Joint Complete
 1-A UGB-815 Die-Cast Wing Bolt
 1-B SB-44 Allen Screw
 2 UGB-815 Die-Cast Wing Bolt
 3 R-20N Rubber Tip (one each)

SNARE STANDS

S-70W

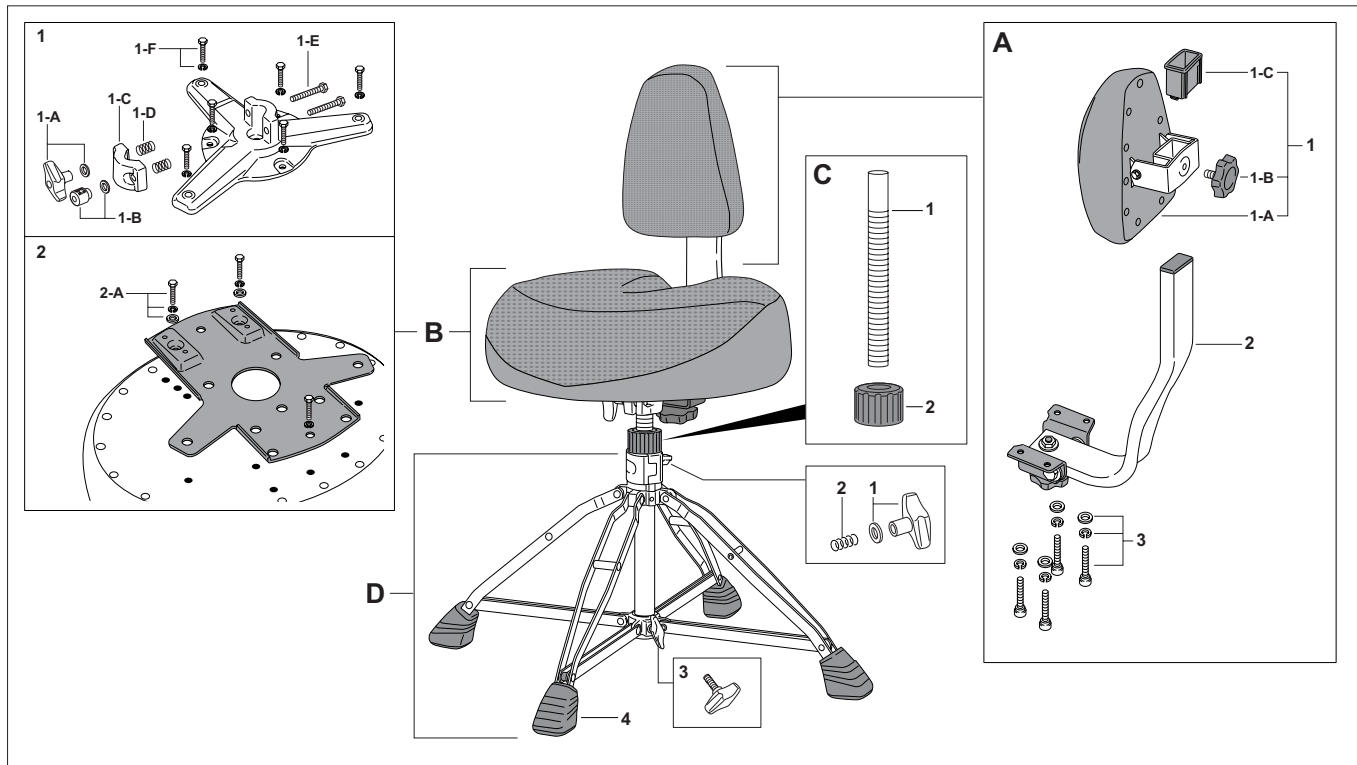


A	S-07A	Basket Complete
1	S-07AA	Basket Assy. w/Rubber Sleeves
1-A	S-75C	Rubber Sleeve (one each)
2	SN-85A	Bolt & Nut Set w/Spring
2-A	SC-36B	Clamp Bolt
2-B	SP-27	Spring
2-C	UGN-8	Die-Cast Wing Nut w/Washer

B	PP-611A	Base Assy. Complete
1	DJ-07A	Die-Cast Joint Complete
1-A	UGB-815	Die-Cast Wing Bolt
1-B	SB-44	Allen Screw
2	UGB-815	Die-Cast Wing Bolt
3	NP-604	Rubber Tip (one each)

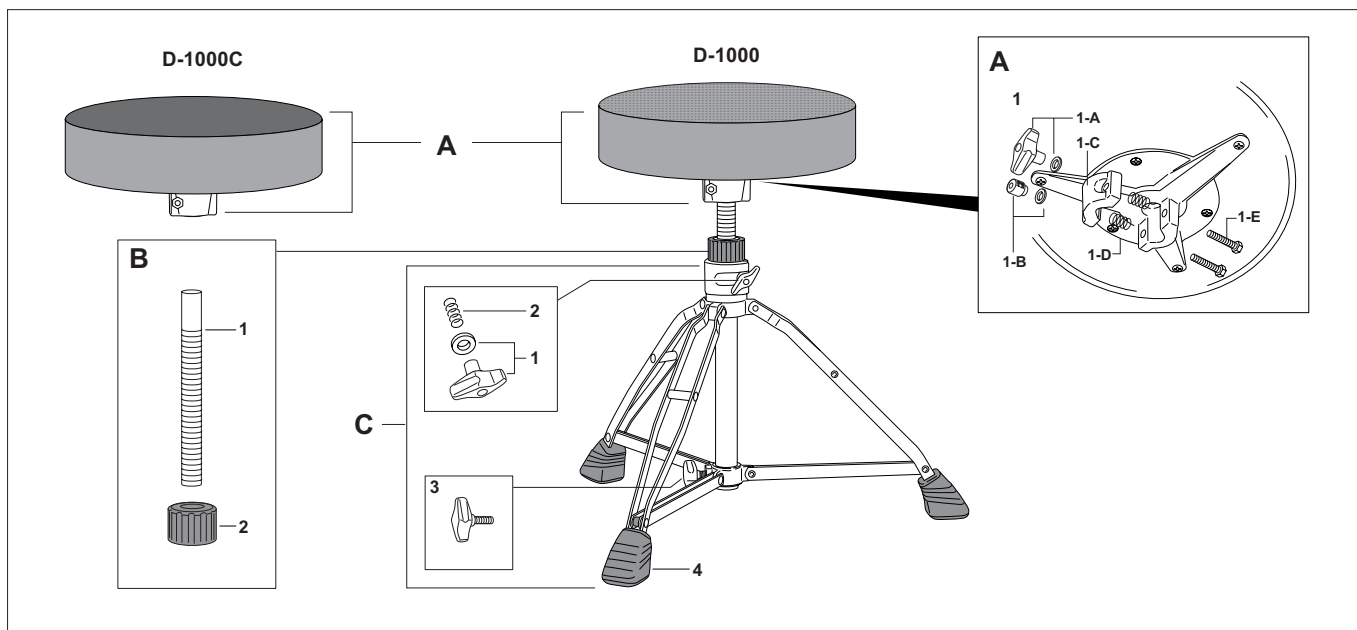
DRUM THRONES

D-2000BR/2000



- | | | | |
|---|--|--|---|
| <p>A BR-2000A Back Rest Only for D-2000BR / D-2000</p> <p>1 NP-423BB Back Rest Cushion Assy. Complete
 1-A NP-423BA Back Rest Cushion ONLY
 1-B NP-389 Knob Bolt
 1-C NP-393 Plastic End Cap
 2 PP-201A Back Rest Post Assy.
 3 SC-119A Bolt, Washer and Lock Washer (one set)</p> | <p>B SE-200A Seat Top ONLY for D-2000BR / D-2000</p> <p>1 DC-644A Rod Bracket Assy. Complete
 1-A UGN-8 Die-Cast Wing Nut w/Washer
 1-B M-8RN Knurled Round Nut w/Washer
 1-C DC-645 Die-Cast Clamp
 1-D SP-45 Spring (one each)
 1-E SC-121 Clamp Bolt (one each)
 1-F SC-379A Hex Head Bolt w/Washer (one set)
 2 PR-651A Back Rest Attachment Plate Complete
 2-A SC-379B Bolt, Washer and Lock Washer (one set)</p> | <p>C ME-571A Height Adjustment Clamp. Complete</p> <p>1 ME-571 Threaded Post
 2 ME-583 Lock Nut</p> | <p>D D-200A Base Assy. Complete</p> <p>1 UGN-8 Die-Cast Wing Nut w/Washer
 2 SP-26 Spring
 3 UGB-815 Die-Cast Wing Bolt
 4 R-26N Rubber Tip (one each)</p> |
|---|--|--|---|

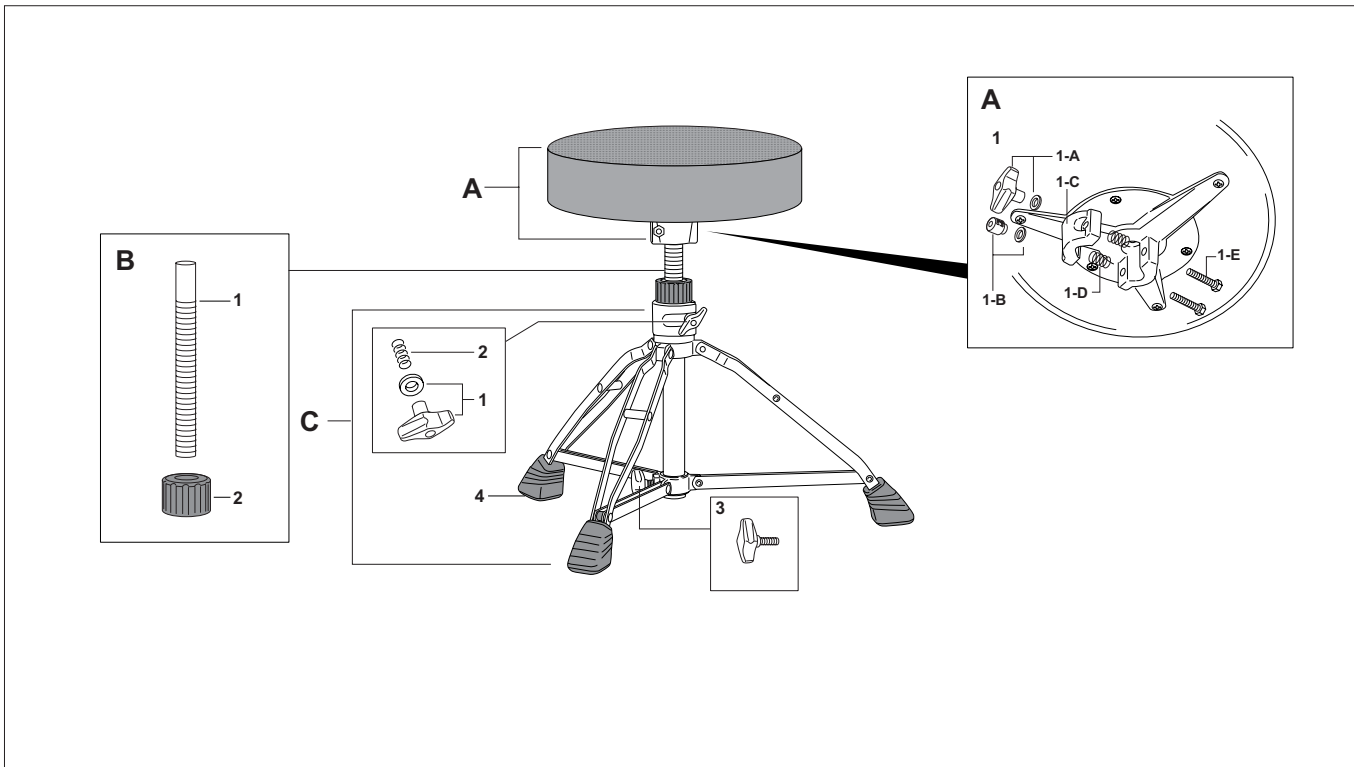
D-1000/1000C



- | | | |
|---|---|---|
| <p>A SE-100NA SEAT TOP ONLY, Vinyl w/Two-piece Bracket</p> <p>A SE-100CNA SEAT TOP ONLY, Cloth w/Two-piece Bracket</p> <p>1 DC-486NA Rod Bracket Assy. Complete
 1-A UGN-8 Die-Cast Wing Nut w/Washer
 1-B M-8RN Knurled Round Nut w/Washer
 1-C DC-645 Die-Cast Clamp
 1-D SP-45 Spring (one each)
 1-E SC-121 Clamp Bolt (one each)</p> | <p>B ME-571A Height Adjustment Post, Complete</p> <p>1 ME-571 Threaded Post
 2 ME-583 Lock Nut</p> | <p>C D-100A Base Assy. Complete</p> <p>1 UGN-8 Die-Cast Wing Nut w/Washer
 2 SP-26 Spring
 3 UGB-815 Die-Cast Wing Bolt
 4 R-26N Rubber Tip (one each)</p> |
|---|---|---|

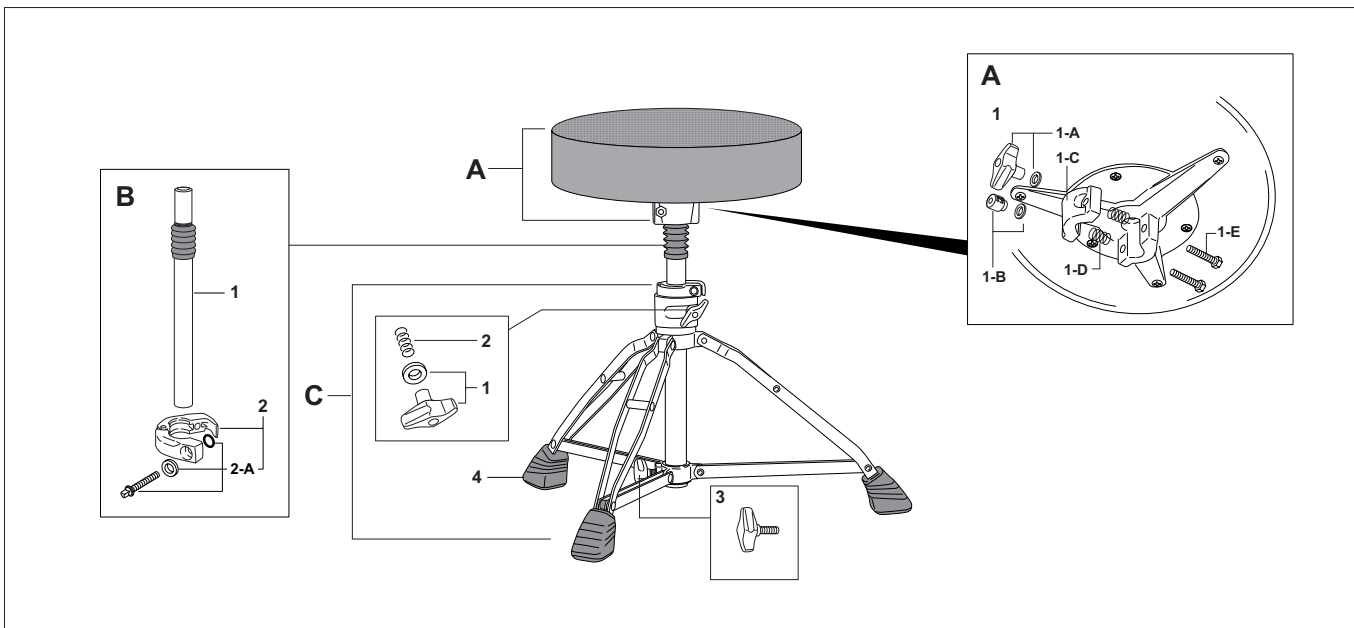
DRUM THRONES

D-1000S



- | | | | |
|-------------------|---|------------------|---|
| A SE-100NA | Seat Top ONLY, Vinyl w/Two-piece Bracket | B ME-571A | Height Adjustment Post, Complete |
| 1 | DC-486NA | 1 | ME-571 |
| | Rod Bracket Assy. Complete (2004/11~) | 2 | ME-583 |
| 1-A | UGN-8 | | Lock Nut |
| 1-B | M-8RN | C D-100SA | Base Assy. Complete |
| 1-C | DC-645 | 1 | UGN-8 |
| 1-D | SP-45 | 2 | SP-26 |
| 1-E | SC-121 | 3 | UGB-815 |
| | | 4 | R-26N |

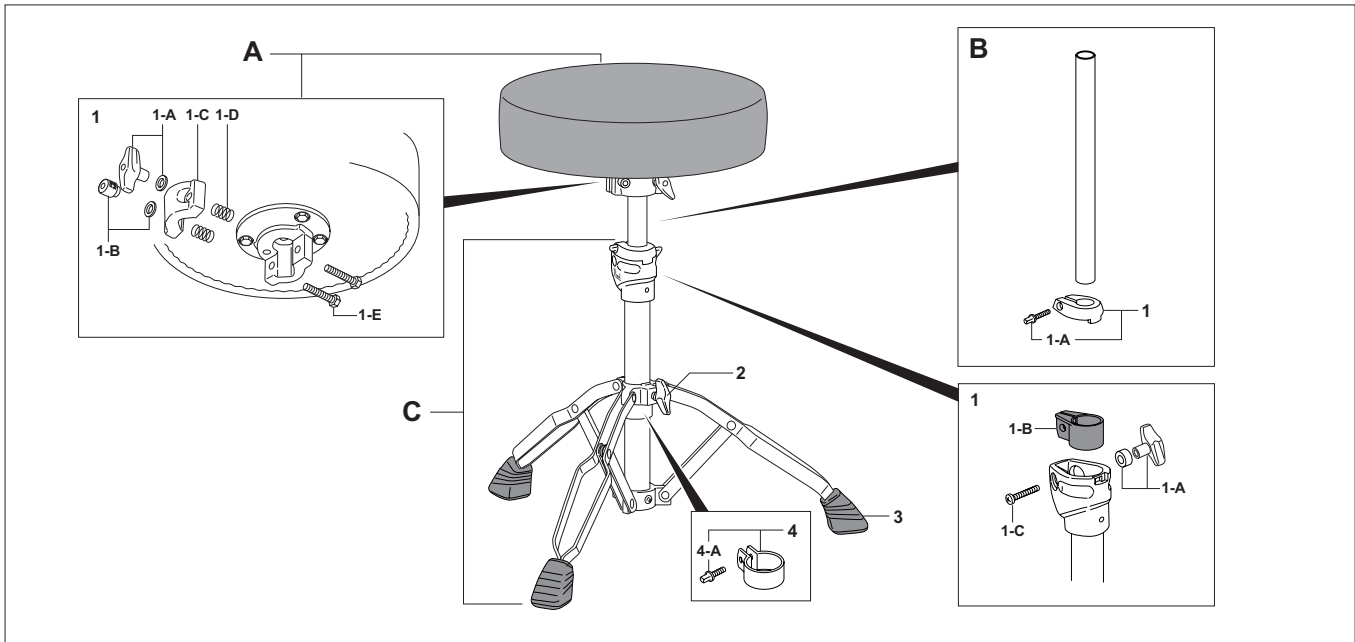
D-1000SP



- | | | | | | |
|-------------------|---|-----------------|--------------------------------------|-------------------|----------------------------|
| A SE-100NA | Seat Top ONLY, Vinyl w/Two-piece Bracket | B SP-75A | Shock Absorber Post, Complete | C D-100SPA | Base Assy. Complete |
| 1 | DC-486NA | 1 | SP-75 | 1 | UGN-8 |
| | Rod Bracket Assy. Complete | 2 | DC-580A | 2 | SP-26 |
| 1-A | UGN-8 | 2-A | KB-630A | 3 | UGB-815 |
| 1-B | M-8RN | | Keybolt w/Washers | 4 | R-26N |
| 1-C | DC-645 | | | | |
| 1-D | SP-45 | | | | |
| 1-E | SC-121 | | | | |

DRUM THRONES

D-900

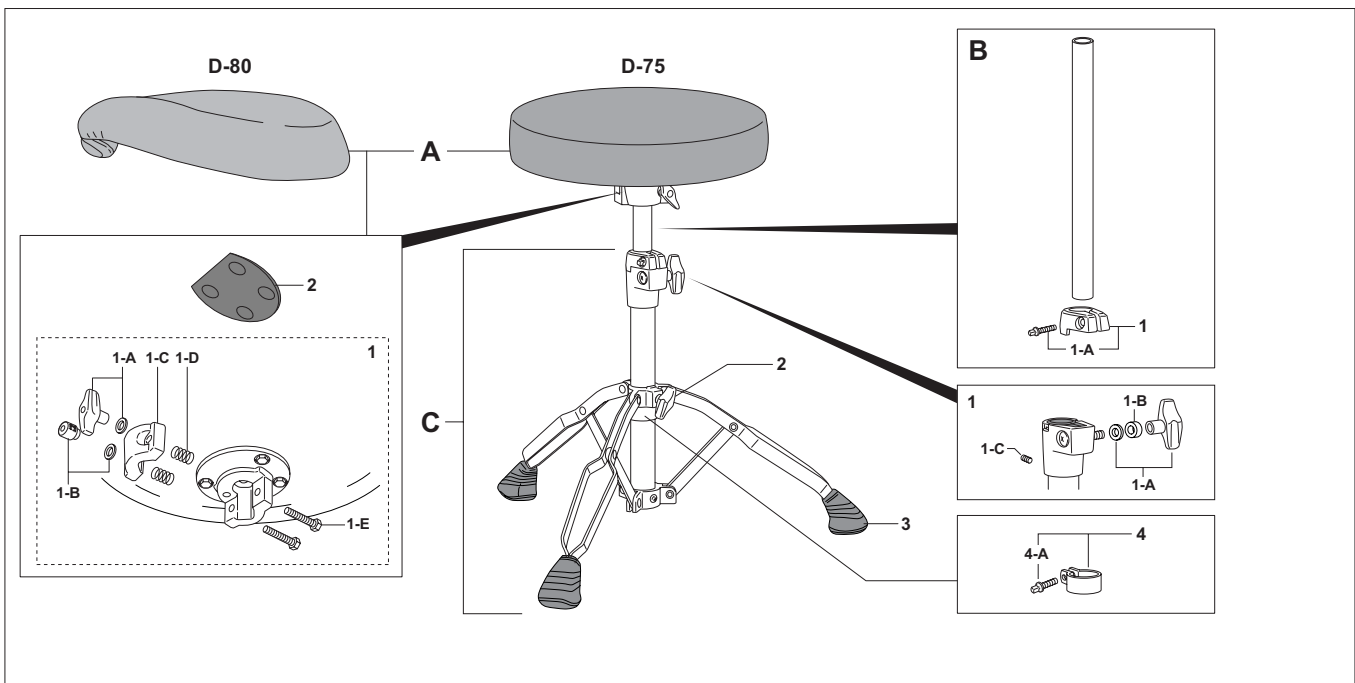


A SEA-90A Seat Top ONLY, Vinyl w/Hingend Bracket
 1 RBA-90 Rod Bracket Assy. Complete
 1-A UGN-8 Die-Cast Wing Nut w/Washer
 1-B M-8RN Knurled Roud Nut w/Washer
 1-C DC-645 Die-Cast Clamp
 1-D SP-45 Spring (One each)
 1-E SC-133 Clamp Bolt (One each)

B UT-D90 Height Adjustment Rod Assy. Complete
 1 ZD-24A Stop Lock, Complete
 1-A KB-625 Key Bolt

C BA-D90 Base Assy. Complete
 1 PJ-90L Die-Cast Joint Assy. Complete
 1-A UGN-6C Die-Cast Wing Nut w/Washer
 1-B PL-8 Nylon Bushing
 1-C SC-392 Clamp Bolt
 2 UGB-815 Die-Cast Wing Bolt
 3 R-20N Rubber Tip (one each)
 4 STB-28A Stop Lock, Complete
 4-A KB-615 Key Bolt

D-80/75



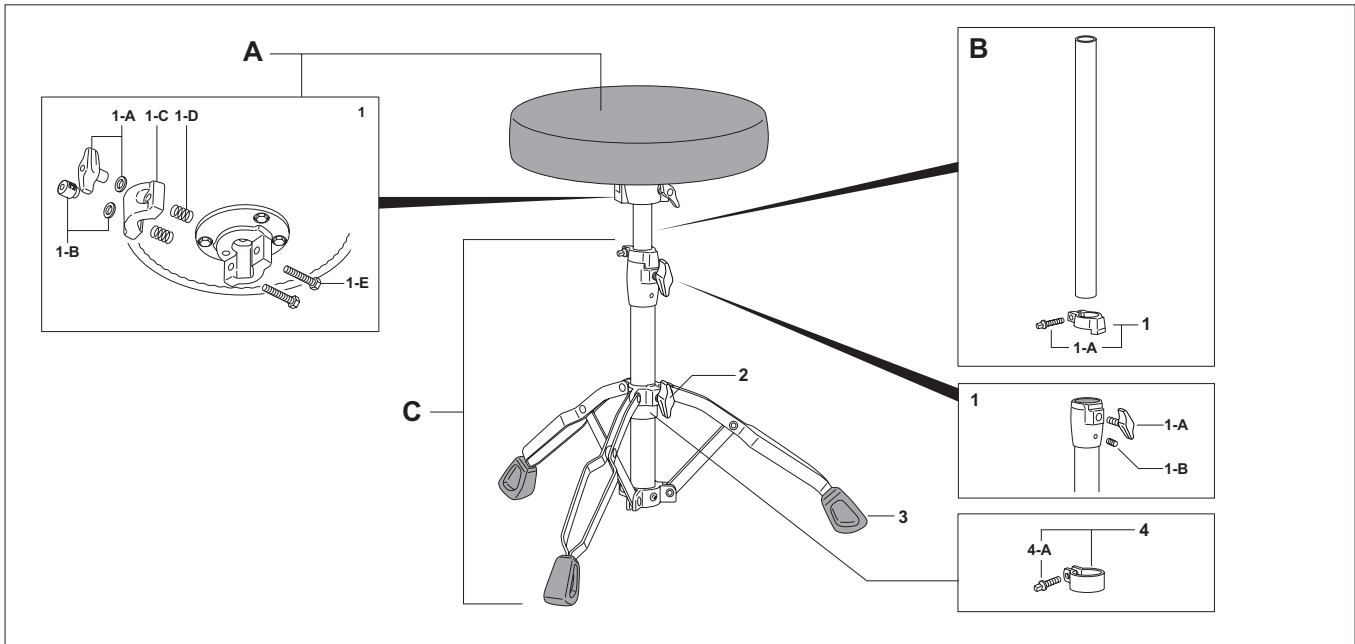
A NP-274 Padded Bike Style Seat (D-80)
NP-88N Padded Vinyl Seat (D-75)
 1 RBA-90 Rod Bracket Assy. Complete
 1-A UGN-8 Die-Cast Wing Nut w/Washer
 1-B M-8RN Knurled Roud Nut w/Washer
 1-C DC-645 Die-Cast Clamp
 1-D SP-45 Spring (One each)
 1-E SC-133 Clamp Bolt (One each)
 2 NP-279 Bracket Spacer (D-80)

B PP-94A Height Adjustment Rod Assy. Complete
 1 DC-551A Stop Lock, Complete
 1-A KB-630 Key Bolt

C D-75AN Base Assy. Complete
 1 DC-550A Die-Cast Joint Assy. Complete
 1-A UGN-8 Die-Cast Wing Nut w/Washer
 1-B ME-661 Spacer
 1-C SC-116 Allen Screw
 2 UGB-815 Die-Cast Wing Bolt
 3 R-20N Rubber Tip (one each)
 4 SX-7 Stop Lock, Complete
 4-A SC-40 Key Bolt

DRUM THRONES

D-70W



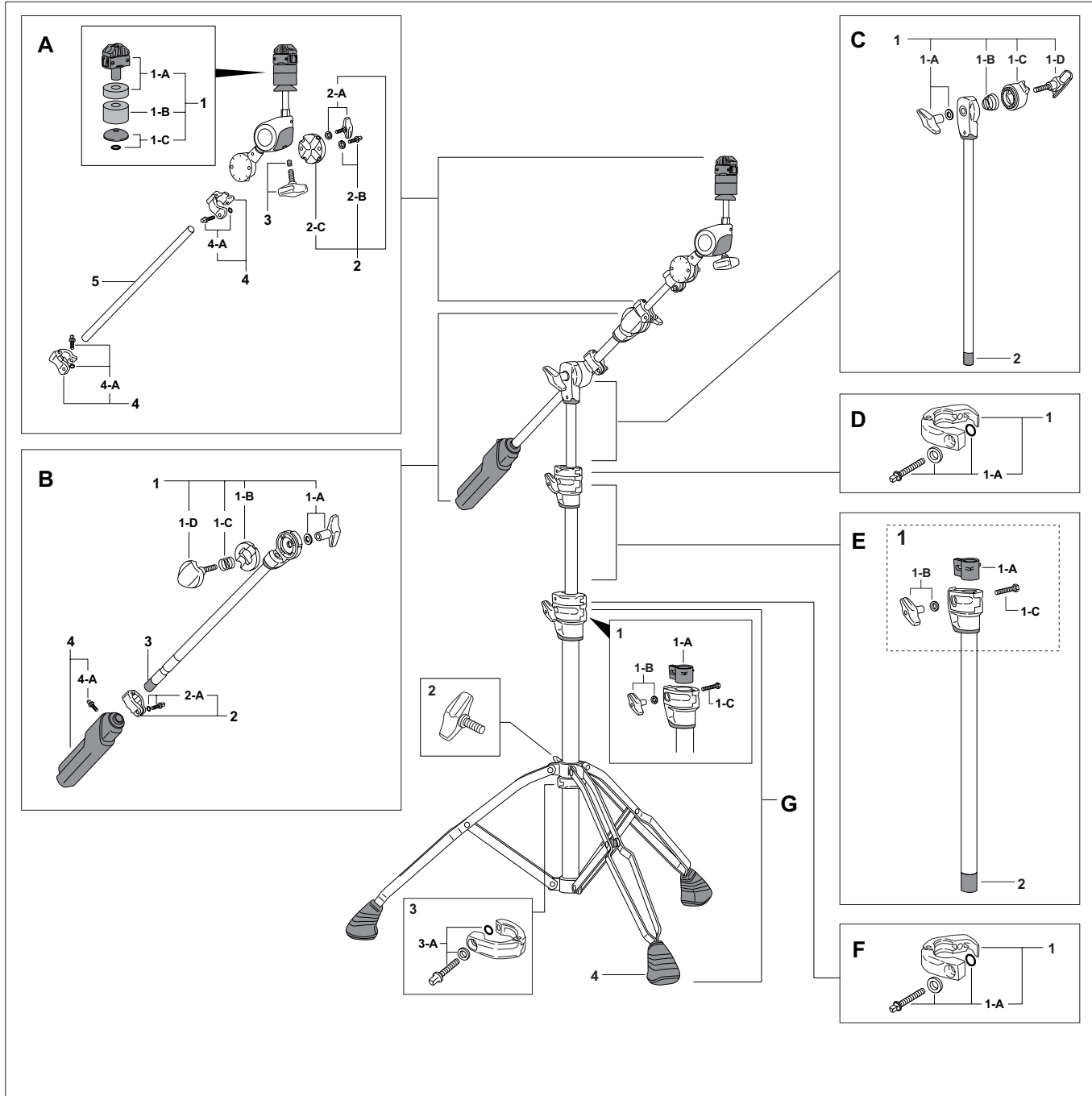
- A NP-609 Padded Vinyl Seat**
 1 RBA-90 Rod Bracket Assy. Complete
 1-A UGN-8 Die-Cast Wing Nut w/Washer
 1-B M-8RN Knurled Round Nut w/Washer
 1-C DC-645 Die-Cast Clamp
 1-D SP-45 Spring (One each)
 1-E SC-133 Clamp Bolt (One each)

- B PP-610A Height Adjustment Rod Assy. Complete**
 1 SX-07 Stop Lock, Complete
 1-A SC-60 Key Bolt

- C PP-609A Base Assy. Complete**
 1 DJ-08A Die-Cast Joint Assy. Complete
 1-A UGB-815 Die-Cast Wing Bolt
 1-B SB-44 Allen Screw
 2 UGB-815 Die-Cast Wing Bolt
 3 NP-604 Rubber Tip (one each)
 4 SX-7 Stop Lock, Complete
 4-A SC-40 Key Bolt

CYMBAL BOOM STANDS

BC-2000



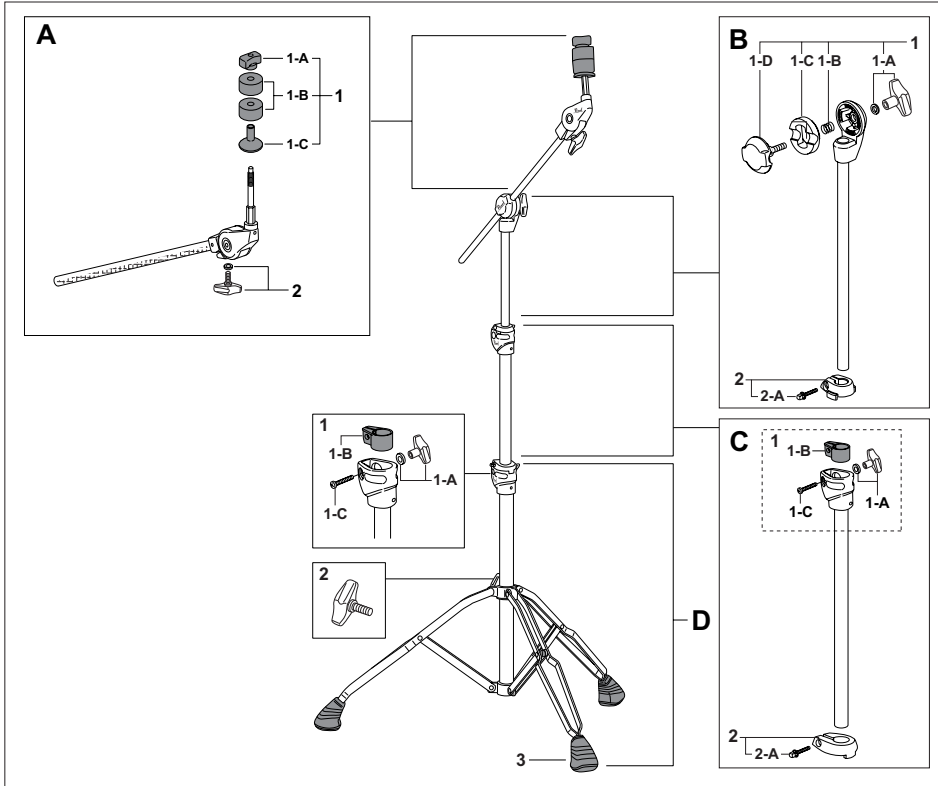
- A B-200A Upper Boom Assy. Complete**
 1 WL-200A WingLoc Assy. Complete
 1-A WL-200 WingLoc Quick Release Wing Nut w/Felt
 1-B FL-90 Felt (one each)
 1-C RC-20 Reversible Seat Cup w/O-Ring
 2 DC-634AN Clamp Assy. Complete
 2-A UGB-620 Die-Cast Wing Bolt w/Washer
 2-B KB-620W Key Bolt w/Washer
 2-C DC-634N Clamp Plate
 3 UGB-815P Die-Cast Wing Bolt w/Pin
 4 DC-627AN Stop Lock, Complete
 4-A KB-615WO Key Bolt w/Washer
 5 ME-651 Knurled Boom Arm
- B B-200B Lower Boom Assy. Complete**
 1 BC-200AN Boom Clamp Assy. Complete
 1-A UGN-8 Die-Cast Wing Nut w/Washer
 1-B DC-630N Clamp Gear Link
 1-C SP-032 Spring
 1-D DC-595A Boom Clamp Bolt

- 2 DC-625A Stop Lock Complete
 2-A KB-615WO Key Bolt w/Washer
 3 NP-430 Rubber Tip
 4 NP-373A Boom Arm Counterweight w/Key Bolt
 4-A KB-615 Key Bolt
- C TU-100A Upper Tube Assy. Complete**
 1 BC-100A Boom Clamp Assy. Complete
 1-A UGN-8L Die-Cast Wing Nut w/Washer
 1-B SP-27N Spring
 1-C DC-594 Clamp Gear Link
 1-D DC-596A Boom Clamp Bolt
 2 NP-375 Plastic Tip
- D DC-578A Stop Lock Complete**
 1 KB-625WO Key Bolt w/Washer
- E CP-100A Center Tube Assy. Complete**
 1 DJ-500 Die-Cast Joint Assy. Complete
 1-A NP-367 Nylon Bushing
 1-B UGN-6 Die-Cast Wing Nut w/Washer
 1-C SC-169 Clamp Bolt
 2 NP-376 Plastic Tip

- F DC-576A Stop Lock Complete**
 1 KB-625WO Key Bolt w/Washer
- G BA-200BW Base Assy. Complete**
 1 DJ-700 Die-Cast Joint Assy. Complete
 1-A NP-366 Nylon Bushing
 1-B UGN-6 Die-Cast Wing Nut w/Washer
 1-C SC-169 Clamp Bolt
 2 UGB-815 Die-Cast Wing Bolt
 3 DC-582A Stop Lock Complete
 3-A KB-625WO Key Bolt w/Washer
 4 R-22N Rubber Tip (one each)

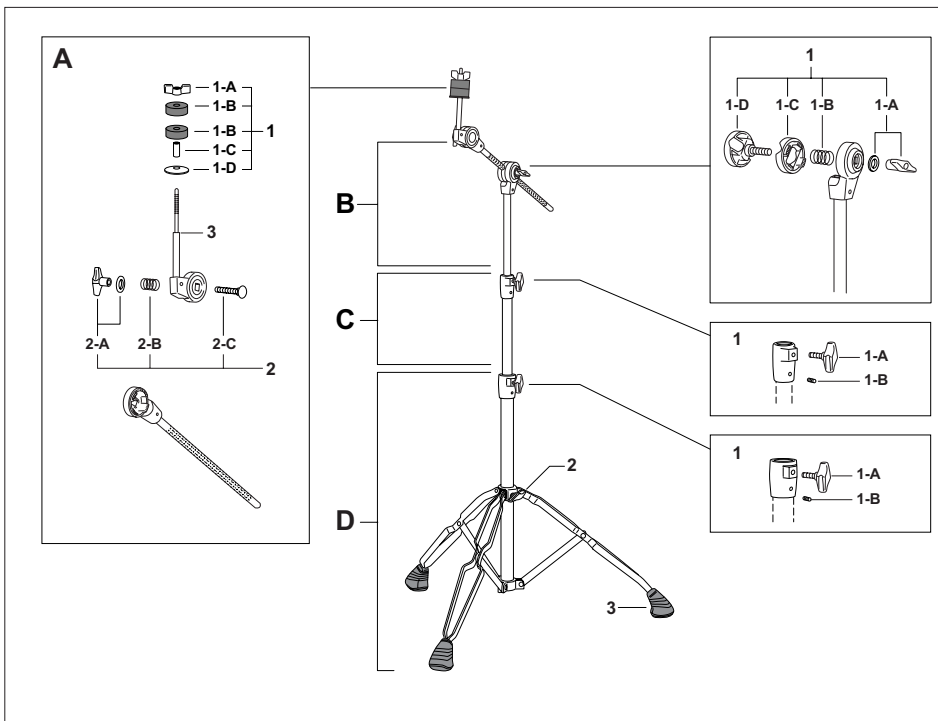
CYMBAL BOOM STANDS

BC-900



- | | | |
|----------|----------------|-----------------------------------|
| A | AA-BC90 | Boom Assy. Complete |
| 1 | FL-90A | WingLoc Assy. Complete |
| 1-A | PL-10 | Plastic Cymbal Nut |
| 1-B | FL-90 | Felt (one each) |
| 1-C | PL-11 | Cymbal Seat Cup |
| 2 | UGB-830 | Die-Cast Wing Bolt w/Washer |
| B | UT-BC90 | Upper Tube Assy. Complete |
| 1 | BC-BC90 | Boom Clamp Assy. Complete |
| 1-A | UGN-6C | Die-Cast Wing Nut w/Collar |
| 1-B | SP-32 | Spring |
| 1-C | ZD-18 | Clamp Gear Link |
| 1-D | ZD-19A | Boom Clamp Bolt |
| 2 | ZD-75A | Stop Lock, Complete |
| 2-A | KB-620 | Key Bolt |
| C | CT-90 | Center Tube Assy. Complete |
| 1 | PJ-90S | Die-Cast Joint Assy. Complete |
| 1-A | UGN-6C | Die-Cast Wing Nut w/Collar |
| 1-B | PL-9 | Nylon Bushing |
| 1-C | SC-392 | Clamp Bolt |
| 2 | ZD-24A | Stop Lock, Complete |
| 2-A | KB-625 | Key Bolt |
| D | BA-90 | Base Assy. Complete |
| 1 | PJ-90L | Die-Cast Joint Assy. Complete |
| 1-A | UGN-6C | Die-Cast Wing Nut w/Collar |
| 1-B | PL-8 | Nylon Bushing |
| 1-C | SC-392 | Clamp Bolt |
| 2 | UGB-815 | Die-Cast Wing Bolt |
| 3 | R-22N | Rubber Tip (one each) |

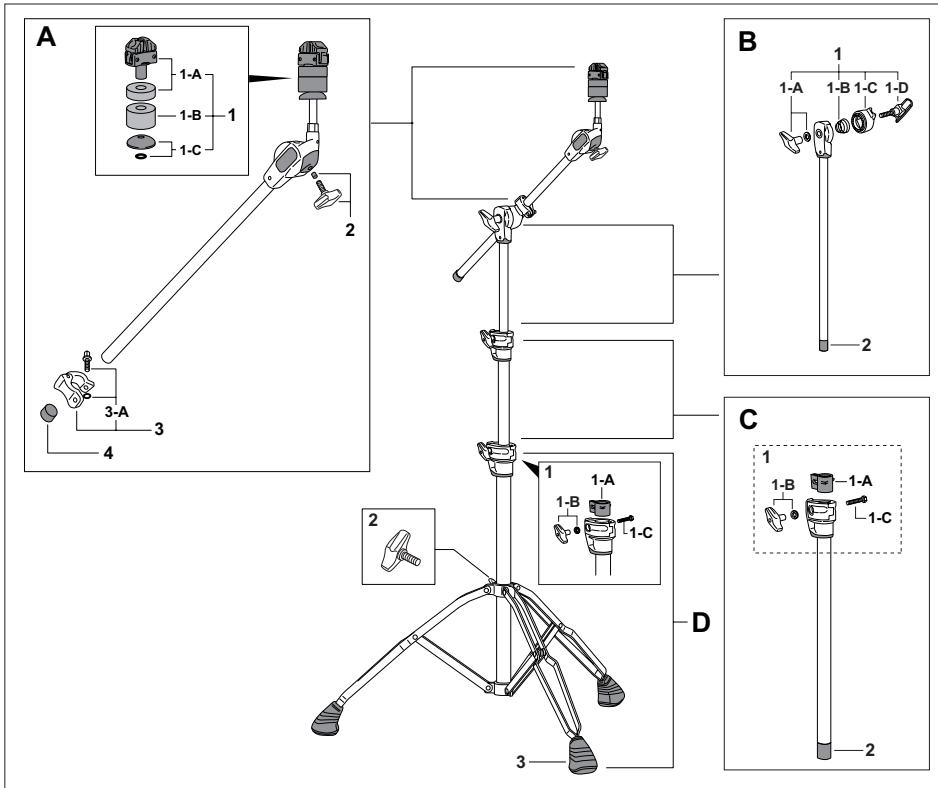
BC-800W



- | | | |
|----------|-----------------|-----------------------------------|
| A | ME-521AC | Boom Arm Assy. Complete |
| 1 | FL-80AN | Upper Tilter Section Complete |
| 1-A | M-8W | Die-Cast Wing Nut |
| 1-B | FE-32 | Felt Washer (one each) |
| 1-C | NP-70 | Plastic Sleeve |
| 1-D | PR-135 | Cup Washer |
| 2 | SN-800A | Bolt & Nut Set w/Spring |
| 2-A | UGN-8 | Die-Cast Wing Nut w/Washer |
| 2-B | SP-032 | Spring |
| 2-C | SC-36B | Clamp Bolt |
| 3 | SN-800N | Tilter Unit |
| B | TU-80BC | Upper Tube Assy. Complete |
| 1 | BC-80BC | Boom Clamp Assy. Complete |
| 1-A | UGN-8 | Die-Cast Wing Nut w/Washer |
| 1-B | SP-032 | Spring |
| 1-C | DC-530 | Clamp Gear Link |
| 1-D | DC-529A | Boom Clamp Bolt |
| C | PP-149BA | Center Tube Assy. Complete |
| 1 | DJ-55A | Die-Cast Joint Assy. Complete |
| 1-A | UGB-815 | Die-Cast Wing Bolt |
| 1-B | SB-44 | Allen Screw |
| D | BA-800BW | Base Assy. Complete |
| 1 | DJ-75A | Die-Cast Joint Assy. Complete |
| 1-A | UGB-815 | Die-Cast Wing Bolt |
| 1-B | SB-44 | Allen Screw |
| 2 | UGB-815 | Die-Cast Wing Bolt |
| 3 | R-22N | Rubber Tip (one each) |

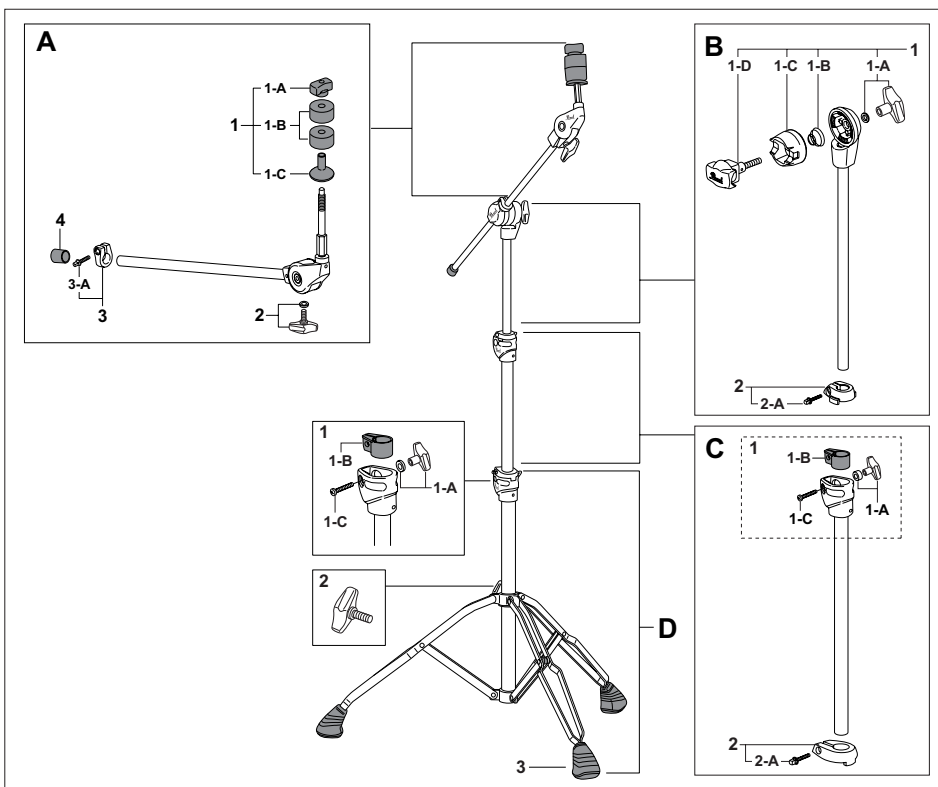
CYMBAL BOOM STANDS

B-1000



- | | | |
|----------|-----------------|---------------------------------------|
| A | B-100A | Boom Assy. Complete |
| 1 | WL-200A | WingLoc Assy. Complete |
| 1-A | WL-200 | WingLoc Quick Release Wing Nut w/Felt |
| 1-B | FL-90 | Felt (one each) |
| 1-C | RC-20 | Reversible Seat Cup w/O-Ring |
| 2 | UGB-815P | Die-Cast Wing Bolt w/Pin |
| 3 | DC-625A | Stop Lock, Complete |
| 3-A | KB-615WO | Key Bolt |
| 4 | NP-71 | Rubber Tip |
| B | TU-100A | Upper Tube Assy. Complete |
| 1 | BC-100A | Boom Clamp Assy. Complete |
| 1-A | UGN-8L | Die-Cast Wing Nut w/Washer |
| 1-B | SP-27N | Spring |
| 1-C | DC-594 | Clamp Gear Link |
| 1-D | DC-596A | Boom Clamp Bolt |
| 2 | NP-375 | Plastic Tip |
| C | CP-100A | Center Tube Assy. Complete |
| 1 | DJ-500 | Die-Cast Joint Assy. Complete |
| 1-A | NP-367 | Nylon Bushing |
| 1-B | UGN-6 | Die-Cast Wing Nut w/Washer |
| 1-C | SC-169 | Clamp Bolt |
| 2 | NP-376 | Plastic Tip |
| D | BA-100BW | Base Assy. Complete |
| 1 | DJ-700 | Die-Cast Joint Assy. Complete |
| 1-A | NP-366 | Nylon Bushing |
| 1-B | UGN-6 | Die-Cast Wing Nut w/Washer |
| 1-C | SC-169 | Clamp Bolt |
| 2 | UGB-815 | Die-Cast Wing Bolt |
| 3 | R-22N | Rubber Tip (one each) |

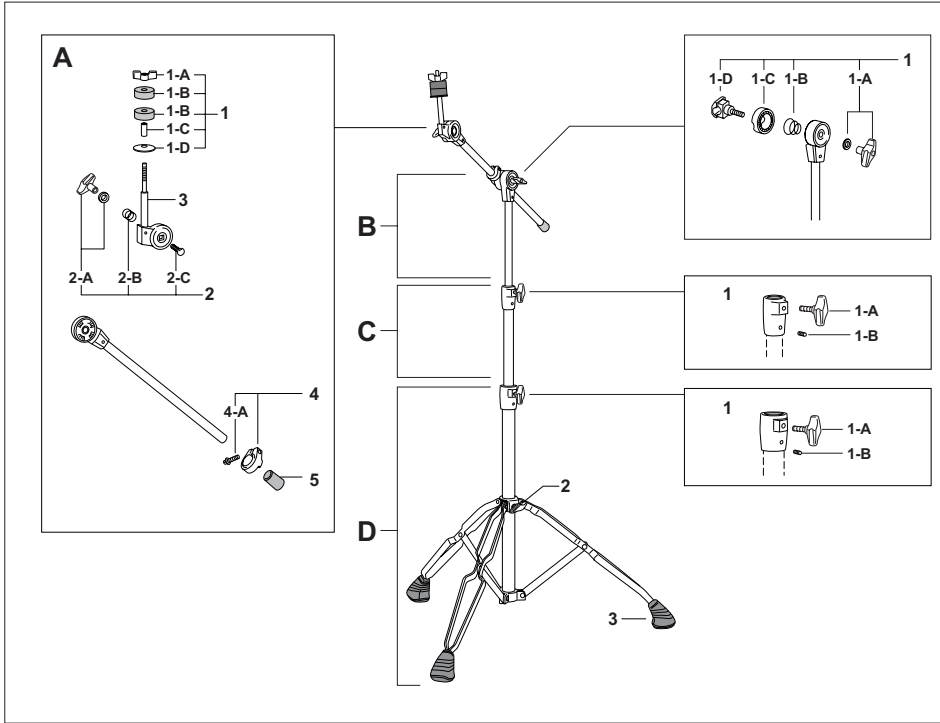
B-900



- | | | |
|----------|---------------|-----------------------------------|
| A | AA-B90 | Boom Assy. Complete |
| 1 | FL-90A | WingLoc Assy. Complete |
| 1-A | PL-10 | Plastic Cymbal Nut |
| 1-B | FL-90 | Felt (one each) |
| 1-C | PL-11 | Cymbal Seat Cup |
| 2 | UGB-830 | Die-Cast Wing Bolt w/Washer |
| 3 | ZD-16A | Stop Lock, Complete |
| 3-A | KB-620 | Key Bolt |
| 4 | NP-71 | Plastic Tip |
| B | UT-B90 | Upper Tube Assy. Complete |
| 1 | BC-B90 | Boom Clamp Assy. Complete |
| 1-A | UGN-6C | Die-Cast Wing Nut w/Washer |
| 1-B | SP-27 | Spring |
| 1-C | ZD-14 | Clamp Gear Link |
| 1-D | ZD-15A | Boom Clamp Bolt |
| 2 | ZD-75A | Stop Lock, Complete |
| 2-A | KB-620 | Key Bolt |
| C | CT-90 | Center Tube Assy. Complete |
| 1 | PJ-90S | Die-Cast Joint Assy. Complete |
| 1-A | UGN-6C | Die-Cast Wing Nut w/Collar |
| 1-B | PL-9 | Nylon Bushing |
| 1-C | SC-392 | Clamp Bolt |
| 2 | ZD-24A | Stop Lock, Complete |
| 2-A | KB-625 | Key Bolt |
| D | BA-90 | Base Assy. Complete |
| 1 | PJ-90L | Die-Cast Joint Assy. Complete |
| 1-A | UGN-6C | Die-Cast Wing Nut w/Collar |
| 1-B | PL-8 | Nylon Bushing |
| 1-C | SC-392 | Clamp Bolt |
| 2 | UGB-815 | Die-Cast Wing Bolt |
| 3 | R-22N | Rubber Tip (one each) |

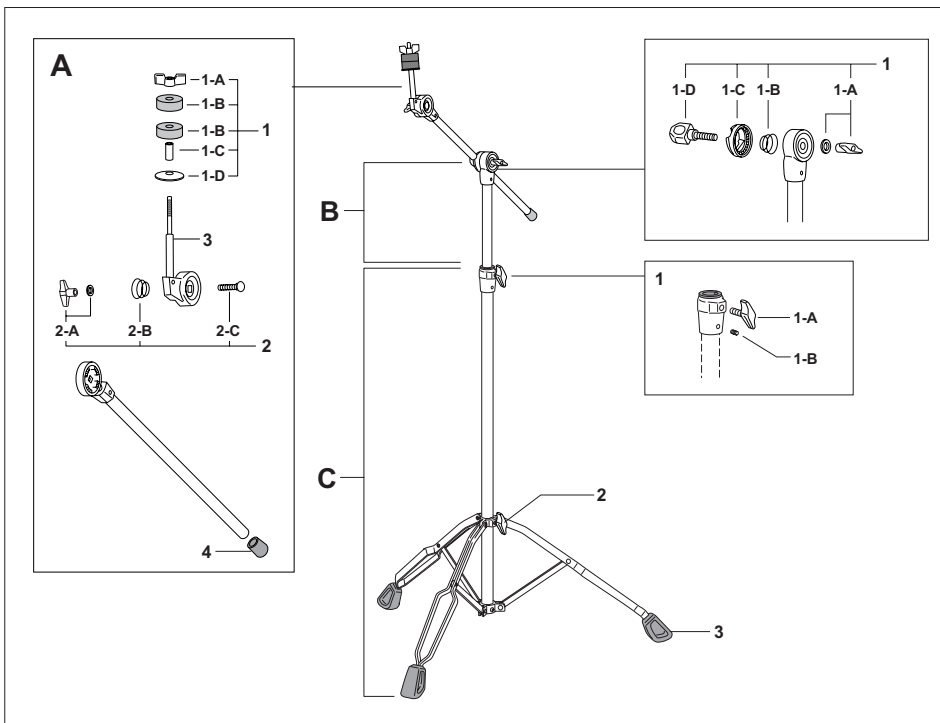
CYMBAL BOOM STANDS

B-800W



- A PP-169ACN Boom Arm Assy. Complete**
 1 FL-80AN Upper Tilter Section Complete
 1-A M-8W Die-Cast Wing Nut
 1-B FE-32 Felt Washer (one each)
 1-C NP-70 Plastic Sleeve
 1-D PR-135 Cup Washer
 2 SN-800A Bolt & Nut Set w/Spring
 2-A UGN-8 Die-Cast Wing Nut w/Washer
 2-B SP-032 Spring
 2-C SC-36B Clamp Bolt
 3 SN-800N Tilter Unit
 4 SX-8 Stop Lock. Complete
 4-A KB-625 Key Bolt
 5 NP-71 Plastic Tip
- B TU-800A Upper Tube Assy. Complete**
 1 BC-800A Boom Clamp Assy. Complete
 1-A UGN-8 Die-Cast Wing Nut w/Washer
 1-B SP-27N Spring
 1-C DC-371 Clamp Gear Link
 1-D BTL-85N Boom Clamp Bolt
- C PP-149BA Center Tube Assy. Complete**
 1 DJ-55A Die-Cast Joint Assy. Complete
 1-A UGB-815 Die-Cast Wing Bolt
 1-B SB-44 Allen Screw
- D BA-800BW Base Assy. Complete**
 1 DJ-75A Die-Cast Joint Assy. Complete
 1-A UGB-815 Die-Cast Wing Bolt
 1-B SB-44 Allen Screw
 2 UGB-815 Die-Cast Wing Bolt
 3 R-22N Rubber Tip (one each)

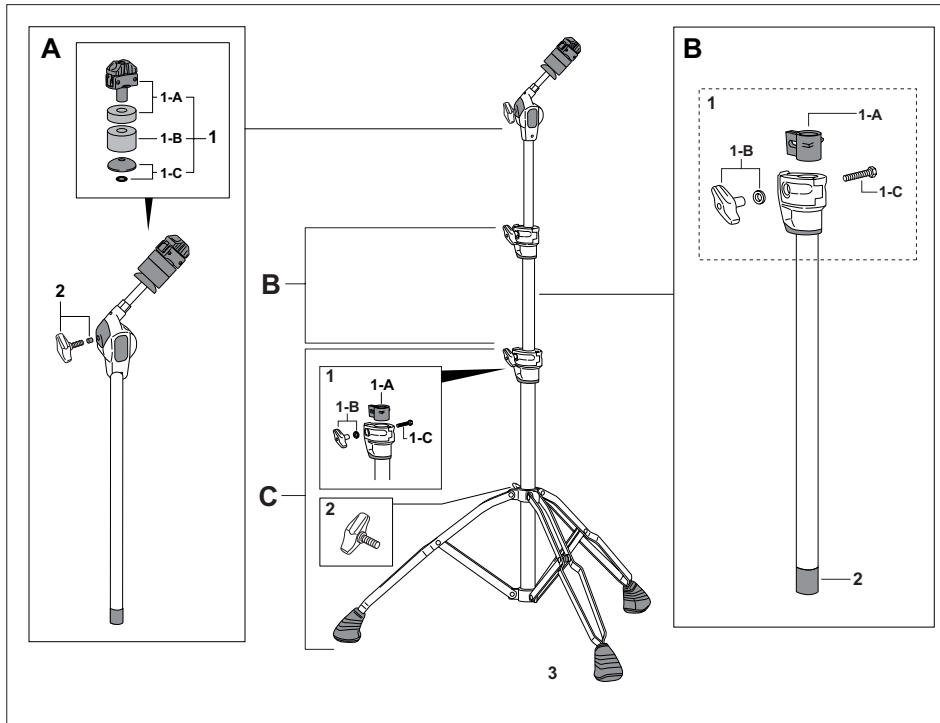
B-70W



- A PP-605A Boom Arm Assy. Complete**
 1 FL-80AN Upper Tilter Section Complete
 1-A M-8W Die-Cast Wing Nut
 1-B FE-32 Felt Washer (one each)
 1-C NP-70 Plastic Sleeve
 1-D PR-135 Cup Washer
 2 SN-800A Bolt & Nut Set w/Spring
 2-A UGN-8 Die-Cast Wing Nut w/Washer
 2-B SP-27N Spring
 2-C SC-36B Clamp Bolt
 3 SN-800N Tilter Unit
 4 NP-71 Plastic Tip
- B PP-604A Upper Tube Assy. Complete**
 1 BC-07A Boom Clamp Assy. Complete
 1-A UGN-8 Die-Cast Wing Nut w/Washer
 1-B SP-27N Spring
 1-C DC-606A Clamp Gear Link
 1-D DC-607A Boom Clamp Bolt
- C PP-603A Center Tube Assy. Complete**
 1 DJ-07A Die-Cast Joint Assy. Complete
 1-A UGB-815 Die-Cast Wing Bolt
 1-B SB-44 Allen Screw
 2 UGB-820 Die-Cast Wing Bolt
 3 NP-604 Rubber Tip (one each)

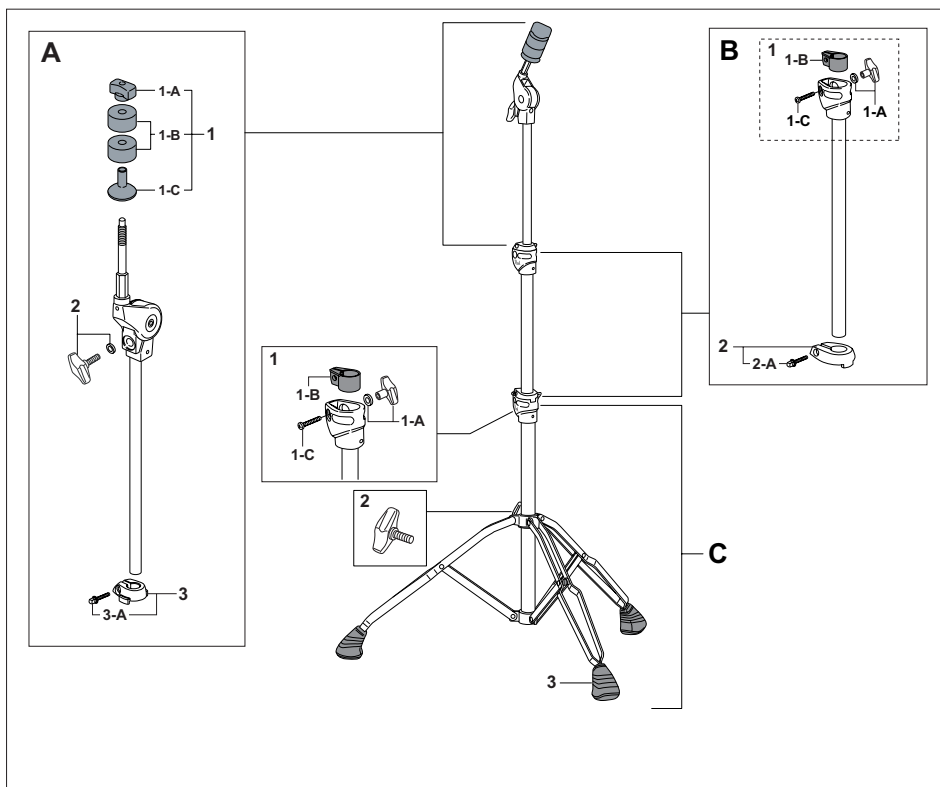
CYMBAL STANDS

C-1000



- | | | |
|----------|-----------------|---------------------------------------|
| A | C-100A | Upper Tube Assy. Complete |
| 1 | WL-200A | WingLoc Assy. Complete |
| 1-A | WL-200 | WingLoc Quick Release Wing Nut w/Felt |
| 1-B | FL-90 | Felt (one each) |
| 1-C | RC-20 | Reversible Seat Cup w/O-Ring |
| 2 | UGB-815P | Die-Cast Wing Bolt w/Pin |
| B | CP-100A | Center Tube Assy. Complete |
| 1 | DJ-500 | Die-Cast Joint Assy. Complete |
| 1-A | NP-367 | Nylon Bushing |
| 1-B | UGN-6 | Die-Cast Wing Nut w/Washer |
| 1-C | SC-169 | Clamp Bolt |
| 2 | NP-376 | Plastic Tip |
| C | BA-100BW | Base Assy. Complete |
| 1 | DJ-700 | Die-Cast Joint Assy. Complete |
| 1-A | NP-366 | Nylon Bushing |
| 1-B | UGN-6 | Die-Cast Wing Nut w/Washer |
| 1-C | SC-169 | Clamp Bolt |
| 2 | UGB-815 | Die-Cast Wing Bolt |
| 3 | R-22N | Rubber Tip (one each) |

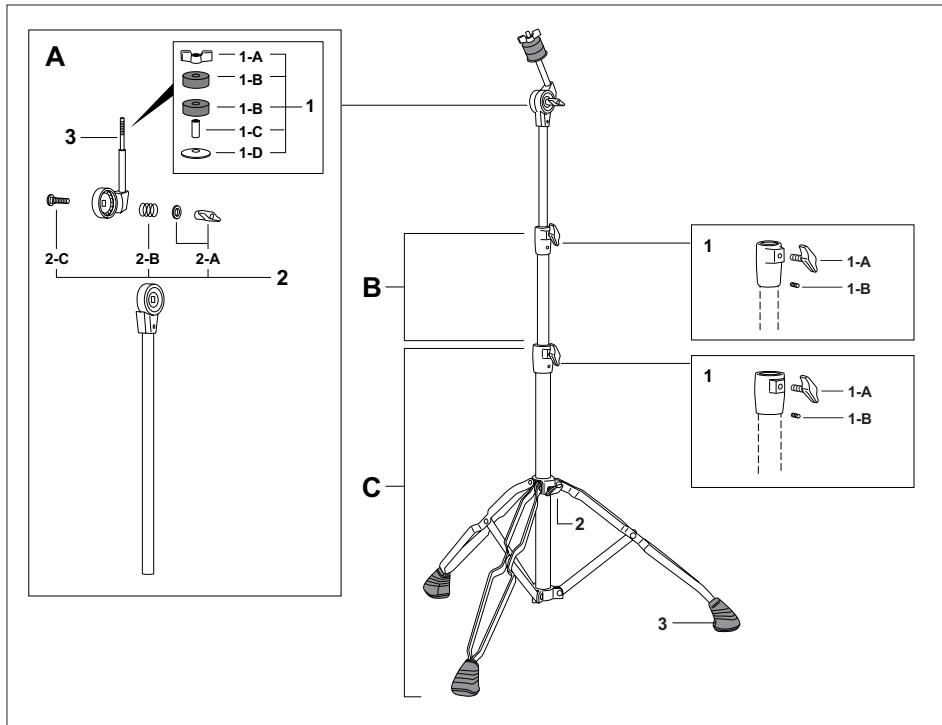
C-900



- | | | |
|----------|---------------|-----------------------------------|
| A | UT-C90 | Boom Assy. Complete |
| 1 | FL-90A | WingLoc Assy. Complete |
| 1-A | PL-10 | Plastic Cymbal Nut |
| 1-B | FL-90 | Felt (one each) |
| 1-C | PL-11 | Cymbal Seat Cup |
| 2 | UGB-830 | Die-Cast Wing Bolt w/Washer |
| 3 | ZD-75A | Stop Lock, Complete |
| 3-A | KB-620 | Key Bolt |
| B | CT-90 | Center Tube Assy. Complete |
| 1 | PJ-90S | Die-Cast Joint Assy. Complete |
| 1-A | UGN-6C | Die-Cast Wing Nut w/Collar |
| 1-B | PL-9 | Nylon Bushing |
| 1-C | SC-392 | Clamp Bolt |
| 2 | ZD-24A | Stop Lock, Complete |
| 2-A | KB-625 | Key Bolt |
| C | BA-90 | Base Assy. Complete |
| 1 | PJ-90L | Die-Cast Joint Assy. Complete |
| 1-A | UGN-6C | Die-Cast Wing Nut w/Collar |
| 1-B | PL-8 | Nylon Bushing |
| 1-C | SC-392 | Clamp Bolt |
| 2 | UGB-815 | Die-Cast Wing Bolt |
| 3 | R-22N | Rubber Tip (one each) |

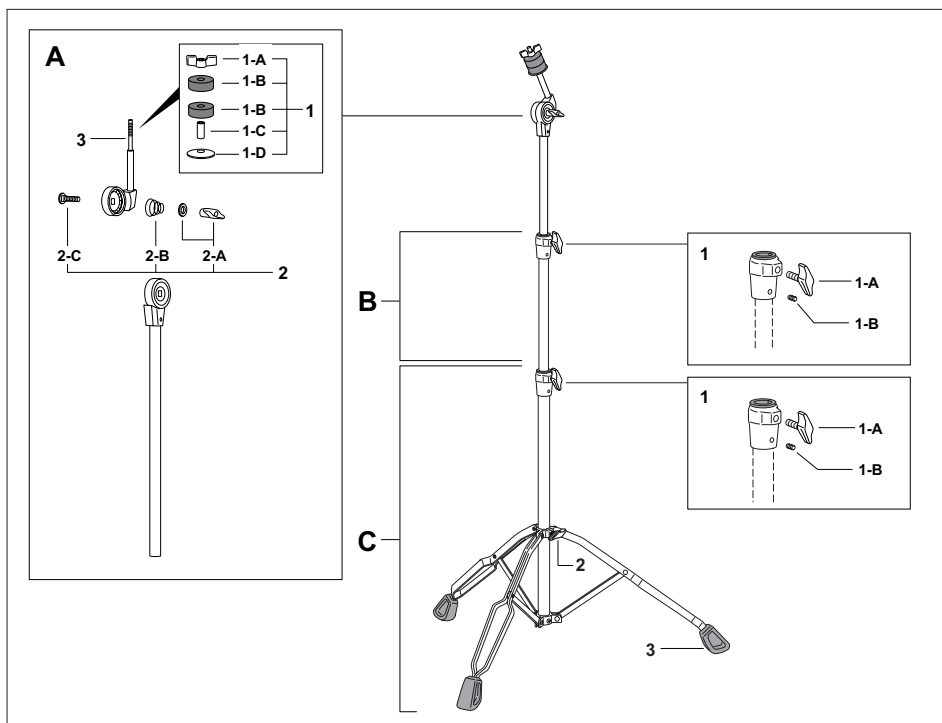
CYMBAL STANDS

C-800W



- A C-80AN Upper Tube Assy. Complete**
 1 FL-80AN Upper Tilter Section Complete
 1-A M-8W Die-Cast Wing Nut
 1-B FE-32 Felt Washer (one each)
 1-C NP-70 Plastic Sleeve
 1-D PR-135 Cup Washer
 2 SN-800A Bolt & Nut Set w/Spring
 2-A UGN-8 Die-Cast Wing Nut w/Washer
 2-B SP-032 Spring
 2-C SC-36B Clamp Bolt
 3 SN-800N Tilter Unit
- B PP-149BA Center Tube Assy. Complete**
 1 DJ-55A Die-Cast Joint Assy. Complete
 1-A UGB-815 Die-Cast Wing Bolt
 1-B SB-44 Allen Screw
- C BA-800BW Base Assy. Complete**
 1 DJ-75A Die-Cast Joint Assy. Complete
 1-A UGB-815 Die-Cast Wing Bolt
 1-B SB-44 Allen Screw
 2 UGB-815 Die-Cast Wing Bolt
 3 R-22N Rubber Tip (one each)

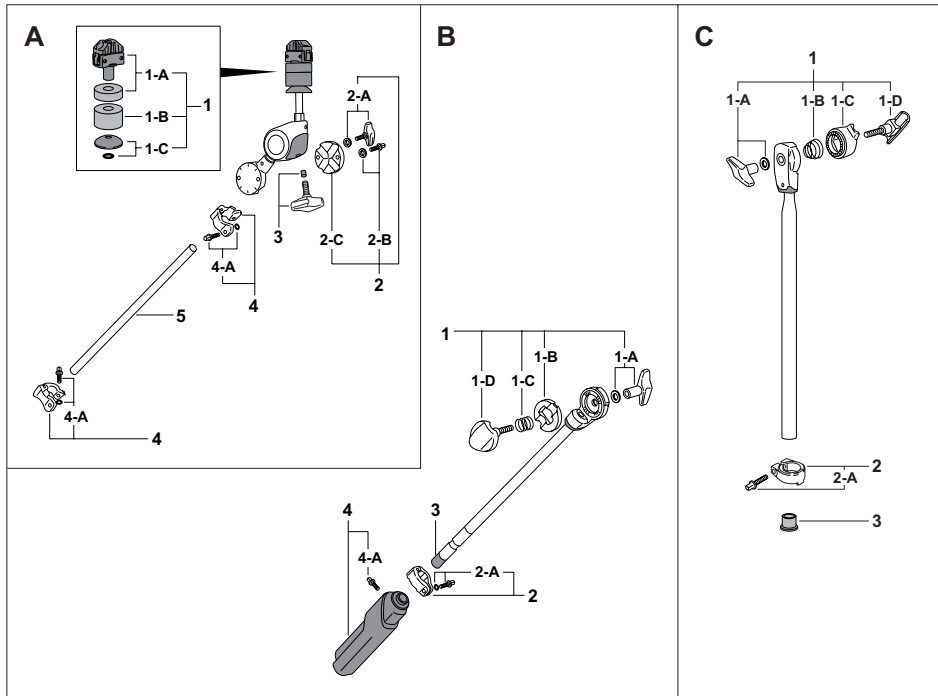
C-70W



- A PP-608A Upper Tube Assy. Complete**
 1 FL-80AN Upper Tilter Section Complete
 1-A M-8W Die-Cast Wing Nut
 1-B FE-32 Felt Washer (one each)
 1-C NP-70 Plastic Sleeve
 1-D PR-135 Cup Washer
 2 SN-800A Bolt & Nut Set w/Spring
 2-A UGN-8 Die-Cast Wing Nut w/Washer
 2-B SP-27N Spring
 2-C SC-36B Clamp Bolt
 3 SN-800N Tilter Unit
- B PP-607A Center Tube Assy. Complete**
 1 DJ-06A Die-Cast Joint Assy. Complete
 1-A UGB-815 Die-Cast Wing Bolt
 1-B SB-44 Allen Screw
- C PP-606A Base Assy. Complete**
 1 DJ-07A Die-Cast Joint Assy. Complete
 1-A UGB-815 Die-Cast Wing Bolt
 1-B SB-44 Allen Screw
 2 UGB-815 Die-Cast Wing Bolt
 3 NP-604 Rubber Tip (one each)

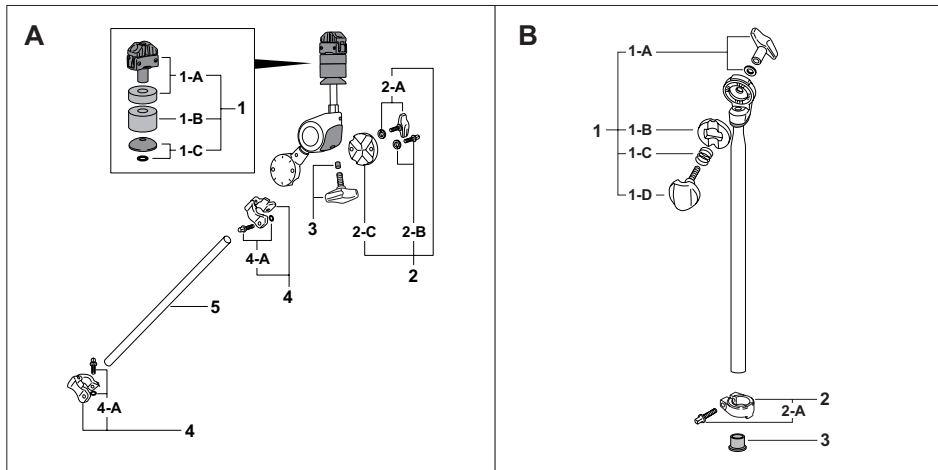
CYMBAL HOLDERS

CH-2000



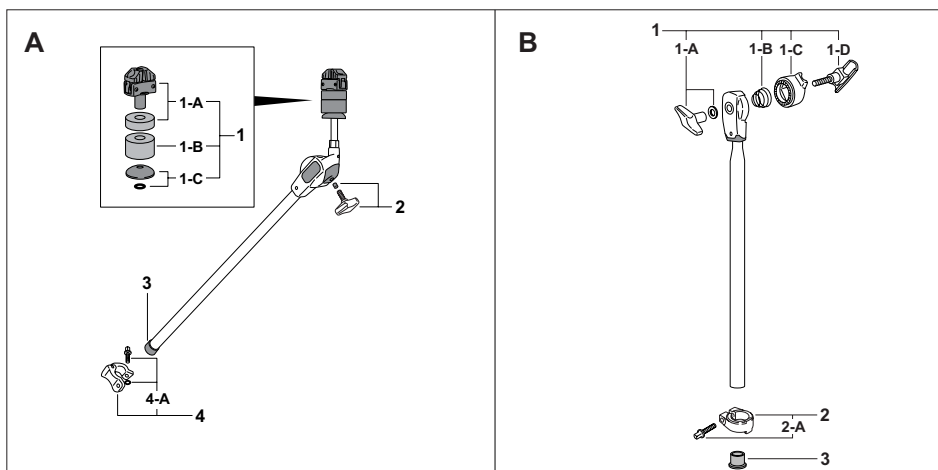
- A B-200A Upper Boom Assy. Complete**
 1 WL-200A WingLoc Assy. Complete
 1-A WL-200 WingLoc Quick Release Wing Nut w/Felt
 1-B FL-90 Felt (one each)
 1-C RC-20 Reversible Seat Cup w/O-Ring
 2 DC-634AN Clamp Assy. Complete
 2-A UGB-620 Die-Cast Wing Bolt w/Washer
 2-B KB-620W Key Bolt w/Washer
 2-C DC-634N Clamp Plate
 3 UGB-815P Die-Cast Wing Bolt w/Pin
 4 DC-627AN Stop Lock, Complete
 4-A KB-615WO Key Bolt w/Washer
 5 ME-651 Knurled Boom Arm
- B B-200B Lower Boom Assy. Complete**
 1 BC-200AN Boom Clamp Assy. Complete
 1-A UGN-8 Die-Cast Wing Nut w/Washer
 1-B DC-630N Clamp Gear Link
 1-C SP-032 Spring
 1-D DC-595A Boom Clamp Bolt
 2 DC-625A Stop Lock Complete
 2-A KB-615WO Key Bolt w/Washer
 3 NP-430 Rubber Tip
 4 NP-373A Boom Arm Counterweight
 4-A KB-615 Key Bolt
- C TU-200A Tube Assy. Complete**
 1 BC-100A Boom Clamp Assy. Complete
 1-A UGN-8L Die-Cast Wing Nut w/Washer
 1-B SP-27N Spring
 1-C DC-594 Clamp Gear Link
 1-D DC-596A Boom Clamp Bolt
 2 SX-2N Stop Lock Complete
 2-A KB-630 Key Bolt
 3 NP-164 Plastic End Cap

CH-2000S



- A B-200A Upper Boom Assy. Complete**
 1 WL-200A WingLoc Assy. Complete
 1-A WL-200 WingLoc Quick Release Wing Nut w/Felt
 1-B FL-90 Felt (one each)
 1-C RC-20 Reversible Seat Cup w/O-Ring
 2 DC-634AN Clamp Assy. Complete
 2-A UGB-620 Die-Cast Wing Bolt w/Washer
 2-B KB-620W Key Bolt w/Washer
 2-C DC-634N Clamp Plate
 3 UGB-815P Die-Cast Wing Bolt w/Pin
 4 DC-627AN Stop Lock, Complete
 4-A KB-615WO Key Bolt w/Washer
 5 ME-651 Knurled Boom Arm
- B B-200BS Tube Assy. Complete**
 1 BC-200A Boom Clamp Assy. Complete
 1-A UGN-8L Die-Cast Wing Nut w/Washer
 1-B DC-630N Clamp Gear Link
 1-C SP-032 Spring
 1-D DC-595A Boom Clamp Bolt
 2 SX-2N Stop Lock Complete
 2-A KB-630 Key Bolt
 3 NP-164 Plastic End Cap

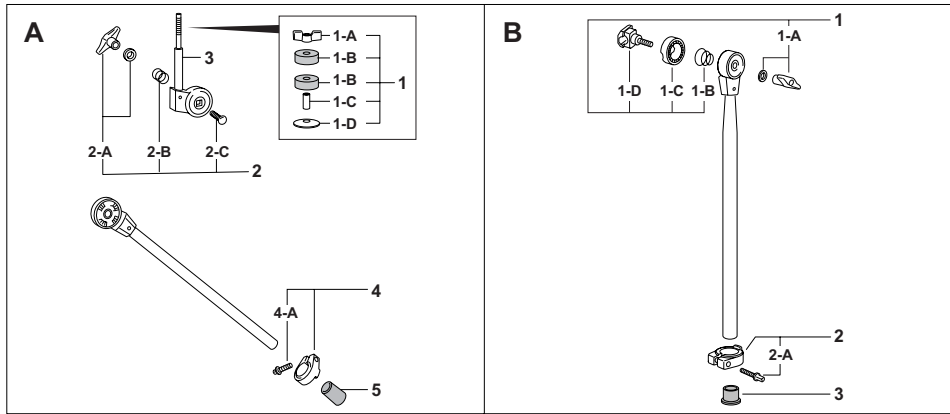
CH-1000



- A B-100A Boom Assy. Complete**
 1 WL-200A WingLoc Assy. Complete
 1-A WL-200 WingLoc Quick Release Wing Nut w/Felt
 1-B FL-90 Felt (one each)
 1-C RC-20 Reversible Seat Cup w/O-Ring
 2 UGB-815P Die-Cast Wing Bolt w/Pin
 3 NP-71 Rubber Tip
 4 DC-625A Stop Lock, Complete
 4-A KB-615WO Key Bolt
- B TU-200A Tube Assy. Complete**
 1 BC-100A Boom Clamp Assy. Complete
 1-A UGN-8L Die-Cast Wing Nut w/Washer
 1-B SP-27N Spring
 1-C DC-594 Clamp Gear Link
 1-D DC-596A Boom Clamp Bolt
 2 SX-2N Stop Lock Complete
 2-A KB-630 Key Bolt
 3 NP-164 Plastic End Cap

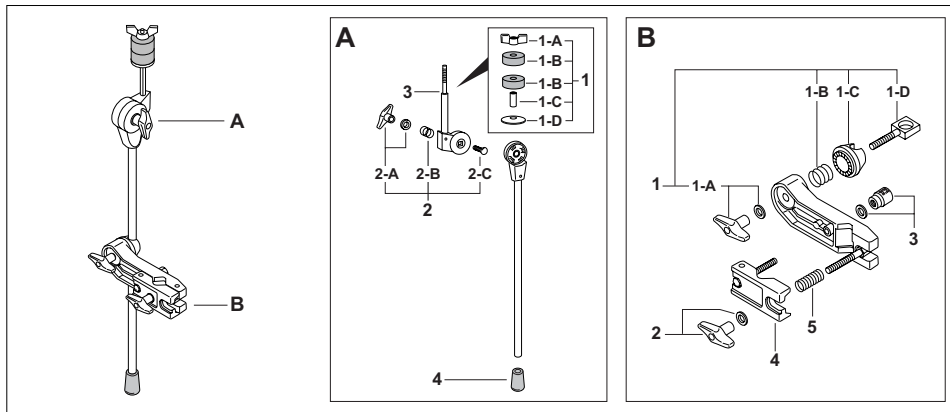
CYMBAL HOLDERS

CH-80



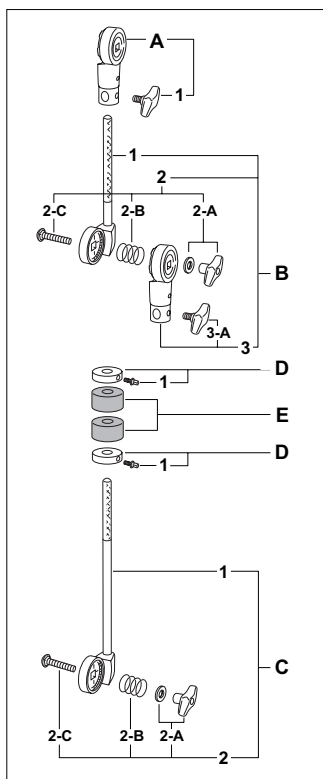
- | | | |
|----------|------------------|--------------------------------|
| A | PP-169ACN | Boom Arm Assy. Complete |
| 1 | FL-80AN | Upper Tilter Section Complete |
| 1-A | M-8W | Die-Cast Wing Nut |
| 1-B | FE-32 | Felt Washer (one each) |
| 1-C | NP-70 | Plastic Sleeve |
| 1-D | PR-135 | Cup Washer |
| 2 | SN-800A | Bolt & Nut Set w/Spring |
| 2-A | UGN-8 | Die-Cast Wing Nut w/Washer |
| 2-B | SP-032 | Spring |
| 2-C | SC-36B | Clamp Bolt |
| 3 | SN-800N | Tilter Unit |
| 4 | SX-8 | Stop Lock, Complete |
| 4-A | KB-625 | Key Bolt |
| 5 | NP-71 | Plastic Tip |
| B | TU-80A | Tube Assy. Complete |
| 1 | BC-800A | Boom Clamp Assy. Complete |
| 1-A | UGN-8 | Die-Cast Wing Nut w/Washer |
| 1-B | SP-27N | Spring |
| 1-C | DC-371 | Clamp Gear Link |
| 1-D | BTL-85N | Boom Clamp Bolt |
| 2 | SX-2N | Stop Lock, Complete |
| 2-A | KB-630 | Key Bolt |
| 3 | NP-164 | Plastic End Cap |

CH-70



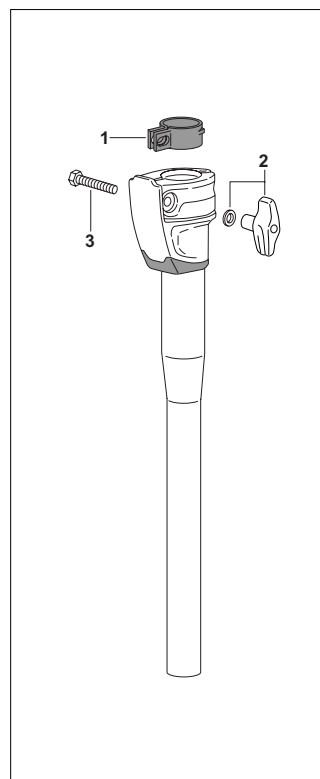
- | | | |
|----------|---------------|--------------------------------|
| A | B-75AN | Boom Arm Assy. Complete |
| 1 | FL-80AN | Upper Tilter Section Complete |
| 1-A | M-8W | Die-Cast Wing Nut |
| 1-B | FE-32 | Felt Washer (one each) |
| 1-C | NP-70 | Plastic Sleeve |
| 1-D | PR-135 | Cup Washer |
| 2 | SN-800A | Bolt & Nut Set w/Spring |
| 2-A | UGN-8 | Die-Cast Wing Nut w/Washer |
| 2-B | SP-032 | Spring |
| 2-C | SC-33B | Clamp Bolt |
| 3 | SN-800N | Tilter Unit |
| 4 | NP-72 | Plastic Tip |
| B | CA-70A | Clamp Assy. Complete |
| 1 | BC-70AN | Boom Clamp Assy. Complete |
| 1-A | UGN-8 | Die-Cast Wing Nut w/Washer |
| 1-B | SP-032 | Spring |
| 1-C | DC-335 | Clamp Gear Link |
| 1-D | ME-67 | Boom Clamp Bolt |
| 2 | UGN-8 | Die-Cast Wing Nut w/Washer |
| 3 | M-8RN | Knurled Round Nut w/Washer |
| 4 | DS-20B | Die-Cast Link w/Swivel Bolt |
| 5 | SP-26 | Spring |

CST-80



- | | | |
|----------|-----------------|---|
| A | DC-497A | Tilter Base Assy. |
| 1 | UGB-610 | Die-Cast Wing Bolt |
| B | TLCS-80S | Tilter Rod Assy. Complete, Short |
| 1 | ME-531SA | Tilter Rod, Short |
| 2 | SN-800A | Bolt & Nut Set w/Spring |
| 2-A | UGN-8 | Die-Cast Wing Nut w/Washer |
| 2-B | SP-032 | Spring |
| 2-C | SC-36B | Clamp Bolt |
| 3 | DC-497A | Tilter Base Assy. |
| 3-A | UGB-610 | Die-Cast Wing Bolt |
| C | TLCS-80L | Tilter Rod Assy. Complete, Long |
| 1 | ME-531LA | Tilter Rod, Long |
| 2 | SN-800A | Bolt & Nut Set w/Spring |
| 2-A | UGN-8 | Die-Cast Wing Nut w/Washer |
| 2-B | SP-032 | Spring |
| 2-C | SC-36B | Clamp Bolt |
| D | ME-532A | Lock Spacer, Complete |
| 1 | KB-615 | Key Bolt |
| E | FE-32 | Felt Washer (one each) |

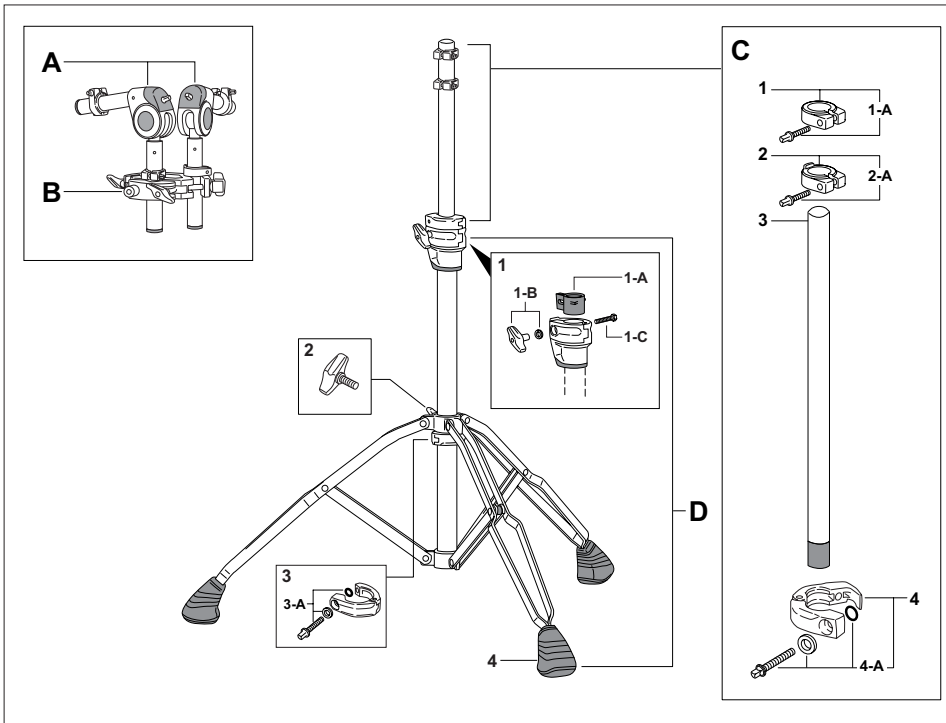
TX-100 Tube Extender



- | | | |
|---|--------|----------------------------|
| 1 | NP-366 | Nylon Bushing |
| 2 | UGN-6 | Die-Cast Wing Nut w/Washer |
| 3 | SC-169 | Clamp Bolt |

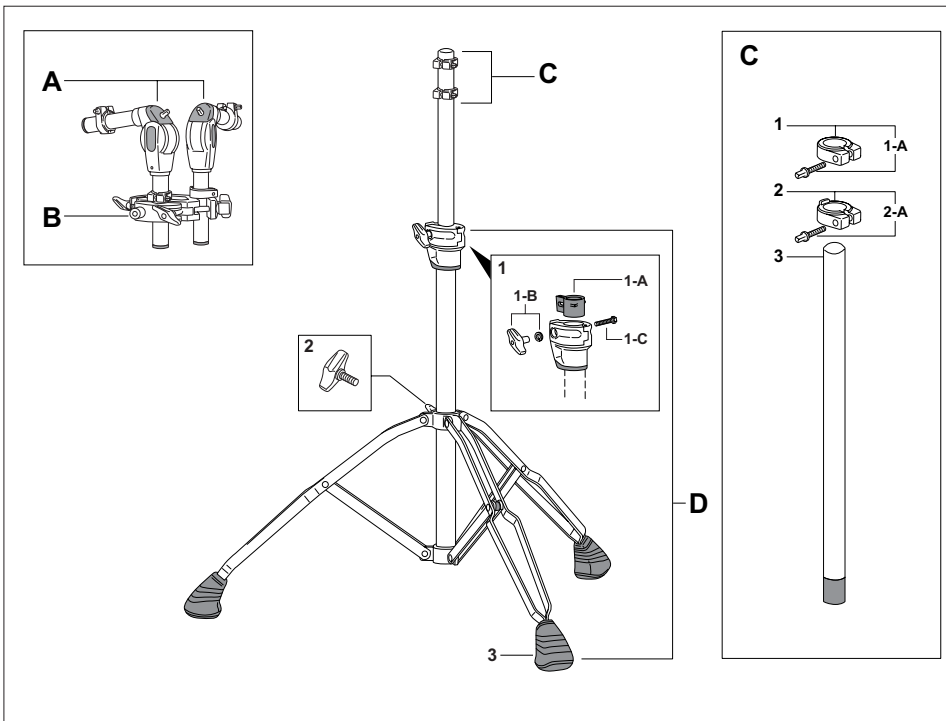
TOM STANDS

T-2000



- A TH-2000S Tom Holder/Short (one each)**
- B AX-38 Adapter - Please refer to the Adapter section.**
- C T-80A Upper Tube Assy. Complete**
- 1 SX-2NS Stop Lock, Complete
- 1-A KB-630 Key Bolt
- 2 SX-2N Stop Lock, Complete
- 2-A KB-630 Key Bolt
- 3 TU-98T Upper Tube ONLY
- 4 DC-576A Stop Lock, Complete
- 4-A KB-625WO Key Bolt w/Washer
- D BA-200BN Base Assy. Complete**
- 1 DJ-700 Die-Cast Joint Assy. Complete
- 1-A NP-366 Nylon Bushing
- 1-B UGN-6 Die-Cast Wing Nut w/Washer
- 1-C SC-169 Clamp Bolt
- 2 UGB-815 Die-Cast Wing Bolt
- 3 DC-582A Stop Lock Complete
- 3-A KB-625WO Key Bolt w/Washer
- 4 R-22N Rubber Tip (one each)

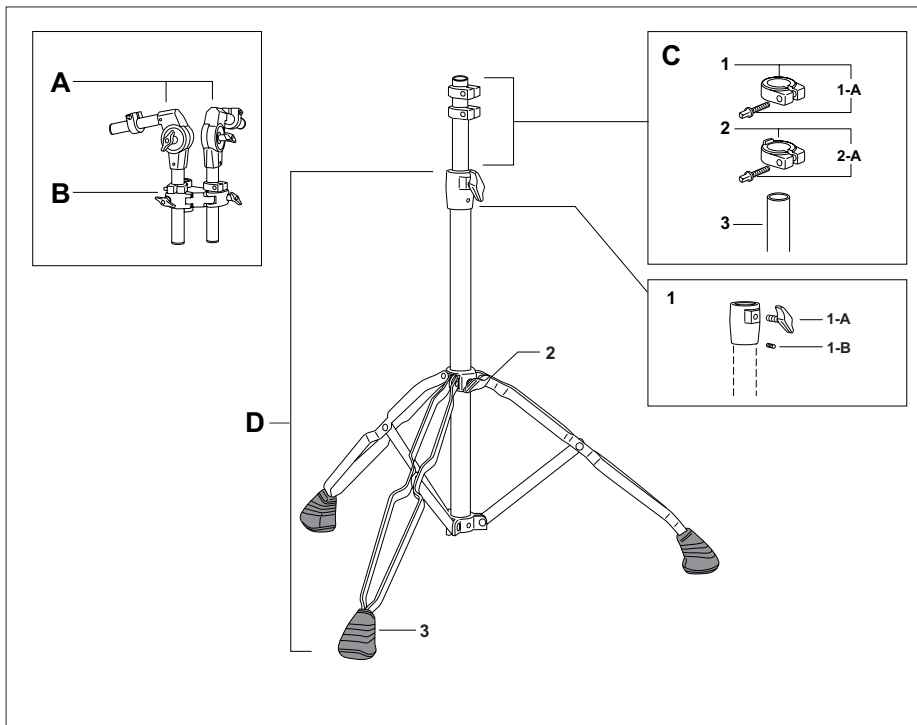
T-1000



- A TH-1000S Tom Holder / Short (one each)**
- B AX-38 Adapter — Please refer to the Adapter section.**
- C T-80A Upper Tube Assy. Complete**
- 1 SX-2NS Stop Lock, Complete
- 1-A KB-630 Key Bolt
- 2 SX-2N Stop Lock, Complete
- 2-A KB-630 Key Bolt
- 3 TU-98T Upper Tube ONLY
- D BA-100BW Base Assy. Complete**
- 1 DJ-700 Die-Cast Joint Assy. Complete
- 1-A NP-366 Nylon Bushing
- 1-B UGN-6 Die-Cast Wing Nut w/Washer
- 1-C SC-169 Clamp Bolt
- 2 UGB-815 Die-Cast Wing Bolt
- 3 R-22N Rubber Tip (one each)

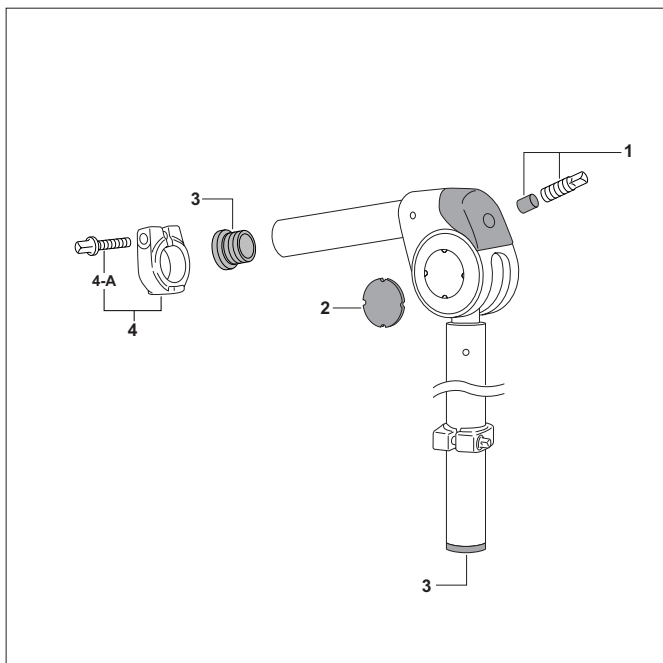
TOM STANDS, TOM HOLDERS

T-800W



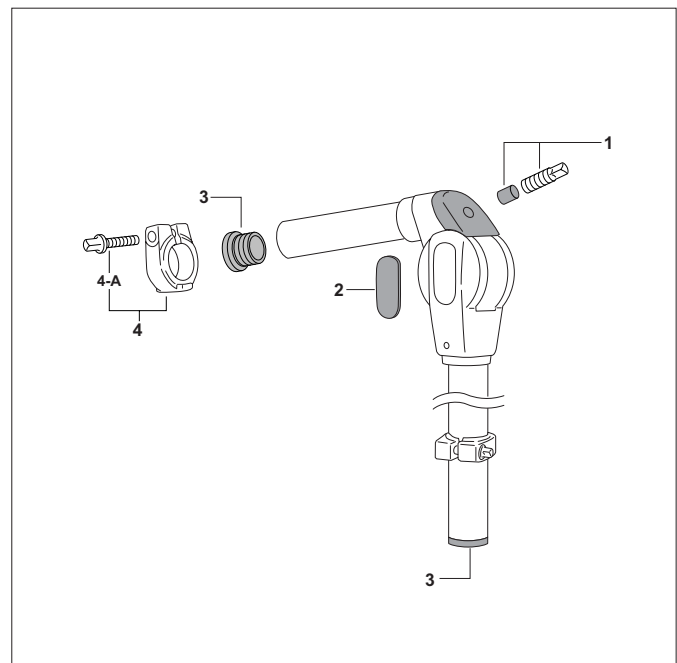
- A TH-88S Tom Holder/Short (one each)**
- B AX-38 Adapter—Please refer to the Adapter section.**
- C T-80A Upper Tube Assy. Complete**
- 1 SX-2NS Stop Lock, Complete
- 1-A KB-630 Key Bolt
- 2 SX-2N Stop Lock, Complete
- 2-A KB-630 Key Bolt
- 3 TU-98T Upper Tube ONLY
- D BA-800BW Base Assy. Complete**
- 1 DJ-75A Die-Cast Joint Assy. Complete
- 1-A UGB-815 Die-Cast Wing Bolt
- 1-B SB-44 Allen Screw
- 2 UGB-815 Die-Cast Wing Bolt
- 3 R-22N Rubber Tip (one each)

TH-2000 / 2000I / 2000S



- 1 KB-814P Key Bolt w/Pin
- 2 B-GL-1 Logo Plate (one each)
- 3 NP-164 Plastic End Cap (one each)
- 4 SX-2N Stop Lock Complete (one set)
- 4-A KB-630 Key Bolt

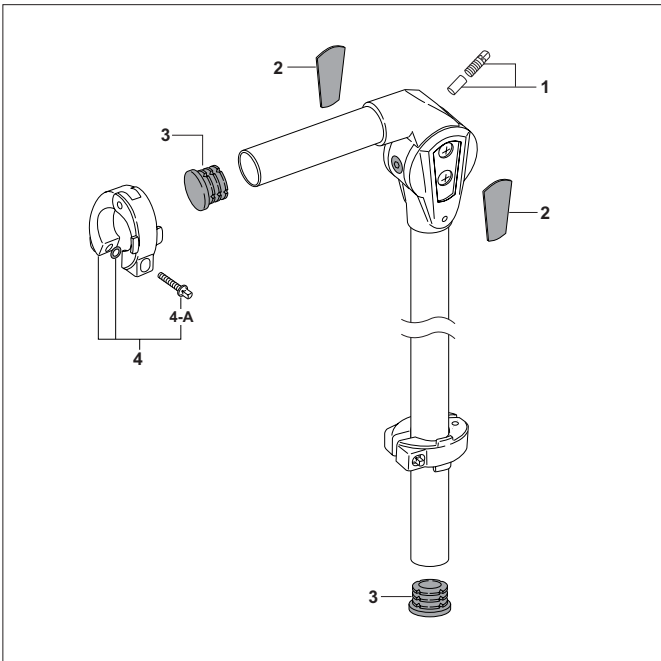
TH-1000 / 1000I / 1000S



- 1 KB-821P Key Bolt w/Pin
- 2 B-UL-1 Logo Plate (one each)
- 3 NP-164 Plastic End Cap (one each)
- 4 SX-2N Stop Lock Complete (one set)
- 4-A KB-630 Key Bolt

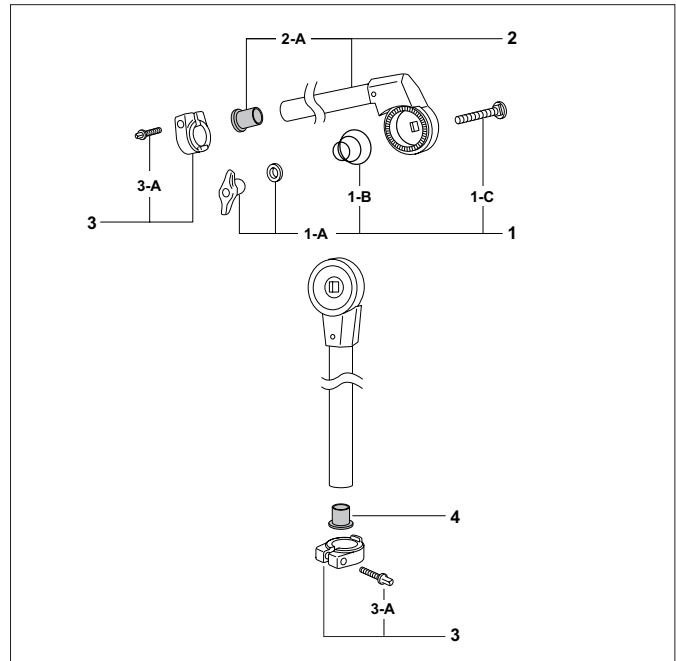
TOM HOLDERS

TH-900I / 900S



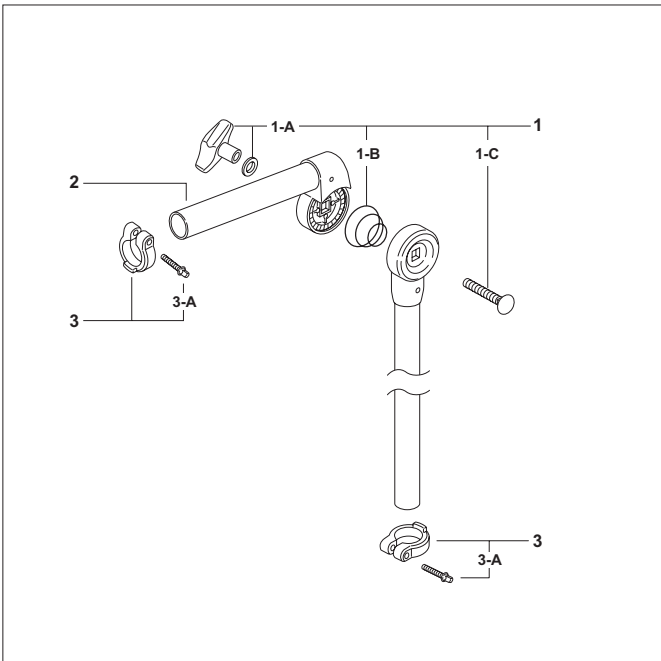
- 1 KB-821P Key Bolt w/Pin
- 2 LGS-5 Logo Plate (one each)
- 3 NP-164 Plastic End Cap (one each)
- 4 RSP-22T Stop Lock Complete
- 4-A KB-625 Key Bolt

TH-88 / 88S / 88I



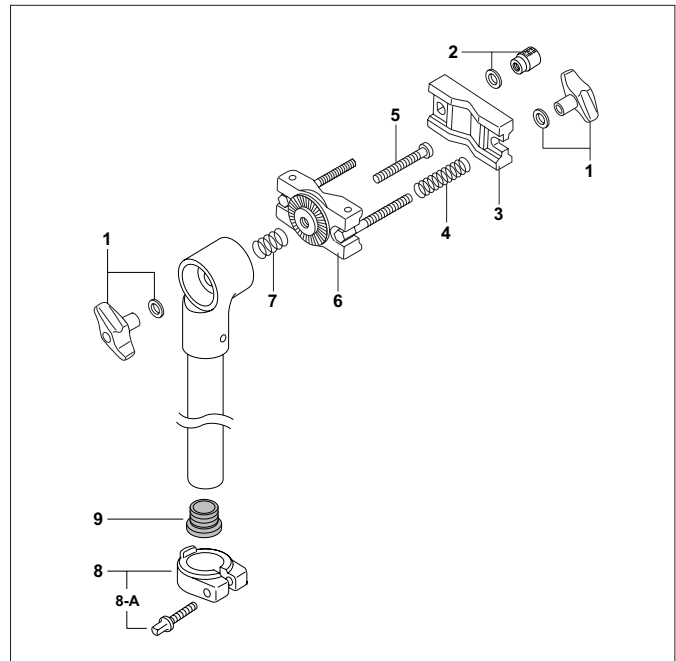
- 1 SN-85A Bolt & Nut Set w/Spring
- 1-A UGN-8 Die-Cast Wing Nut w/Washer
- 1-B SP-27N Spring
- 1-C SC-36B Clamp Bolt
- 2 TO-88A Tom Holder Arm w/Plastic End Cap
- 2-A NP-164 Plastic End Cap
- 3 SX-2N Stop Lock Complete (one set)
- 3-A KB-630 Key Bolt (one each)
- 4 NP-164 Plastic End Cap

TH-70



- 1 SN-85A Bolt & Nut Set w/Spring
- 1-A UGN-8 Die-Cast Wing Nut w/Washer
- 1-B SP-27N Spring
- 1-C SC-36B Clamp Bolt
- 2 TO-07 Tom Holder Arm ONLY
- 3 SX-70 Stop Lock Complete (one set)
- 3-A KB-625 Key Bolt (one each)

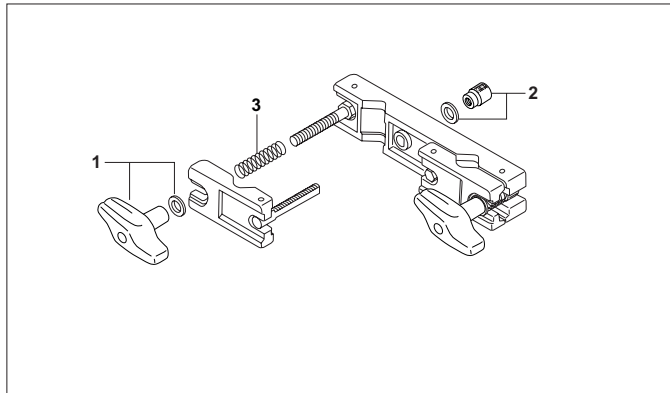
UX-80



- 1 UGN-8 Die-Cast Wing Nut w/Washer (one set)
- 2 M-8RN Knurled Round Nut w/Washer
- 3 DC-182N Die-Cast Link
- 4 SP-26 Spring
- 5 SC-144 Center Bolt
- 6 DS-25A Die-Cast Gear Link w/Swivel Bolts
- 7 SP-36 Spring
- 8 SX-2N Stop Lock, Complete
- 8-A KB-630 Key Bolt
- 9 NP-164 Plastic End Cap

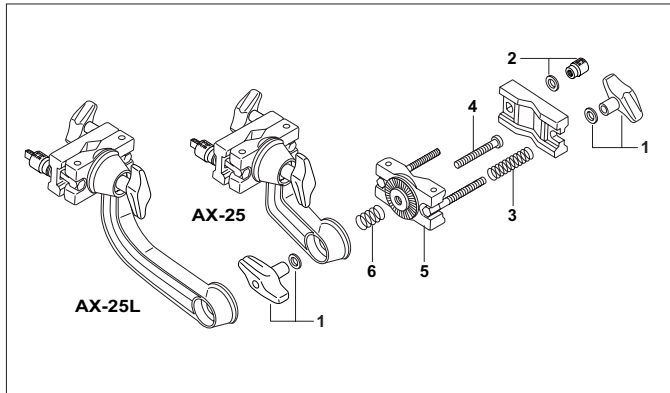
ADAPTERS

AX-20



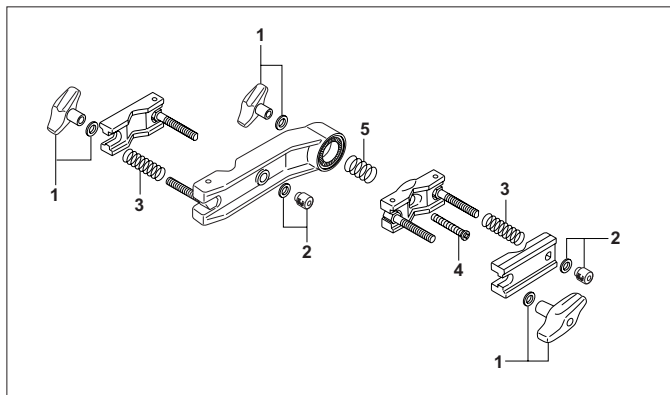
- 1 UGN-8 Die-Cast Wing Nut w/Washer
- 2 M-8RN Knurled Round Nut w/Washer
- 3 SP-26 Spring

AX-25/AX-25L



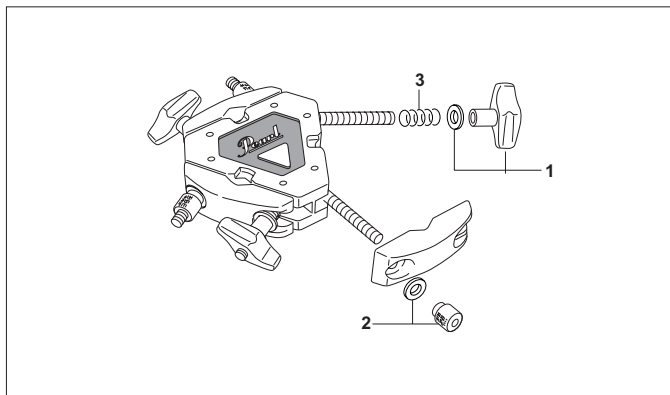
- 1 UGN-8 Die-Cast Wing Nut w/Washer (one set)
- 2 M-8RN Knurled Round Nut w/Washer
- 3 SP-26 Spring
- 4 SC-114 Center Bolt
- 5 DS-25A Die-Cast Gear Link w/Swivel Bolts
- 6 SP-36 Spring

AX-28



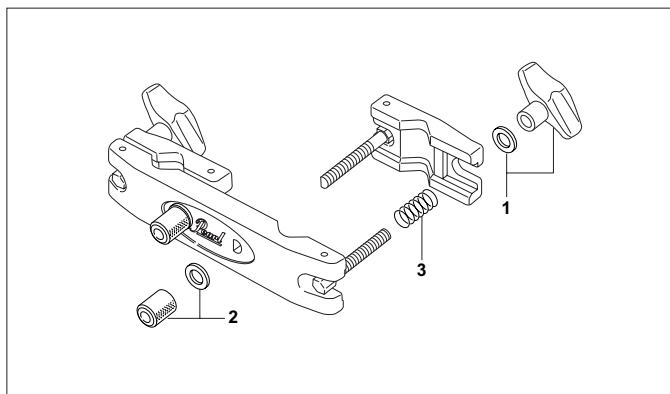
- 1 UGN-8 Die-Cast Wing Nut w/Washer
- 2 M-8RN Knurled Round Nut w/Washer
- 3 SP-26 Spring
- 4 SC-114 Center Bolt
- 5 SP-36 Spring

AX-38



- 1 UGN-8 Die-Cast Wing Nut w/Washer
- 2 M-8RN Knurled Round Nut w/Washer
- 3 SP-26 Spring

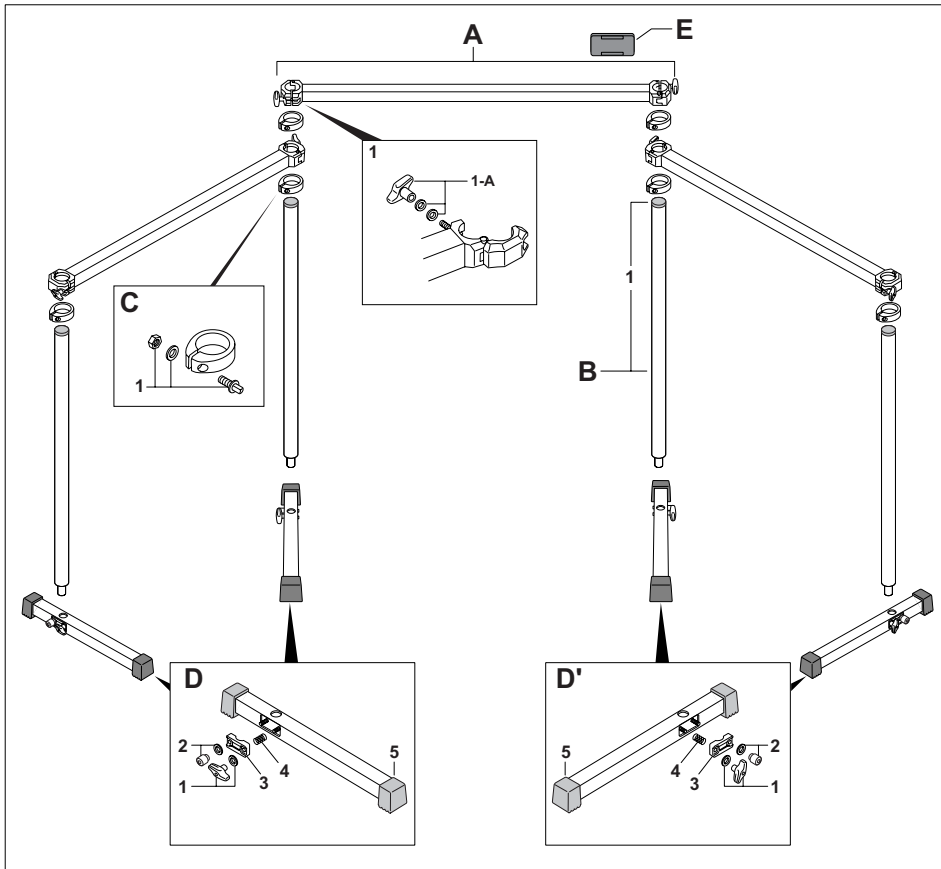
ADP-20



- 1 UGN-8 Die-Cast Wing Nut w/Washer
- 2 M-8RN Knurled Round Nut w/Washer
- 3 SP-26 Spring

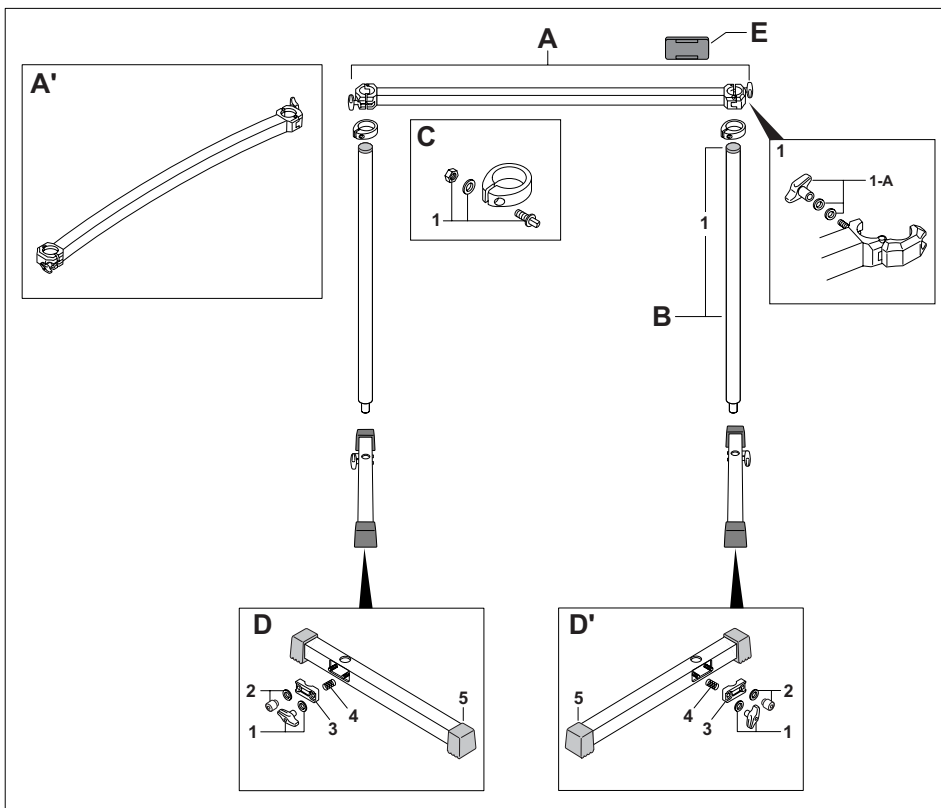
DRUM RACKS

DR-503



- A AL-18A Straight Rack Bar Complete**
- 1 DC-424A Die-Cast Clamp Assy. Complete
- 1-A UGN-8 Die-Cast Wing Nut w/Washers
- B PP-176A Steel Leg**
- 1 NP-338 Plastic Cap
- C DC-426A Stop Lock, Complete**
- 1 KB-625A Key Bolt w/Washer & Hexagonal Nut
- D PP-189LA Floor Bar Assy. Complete (Left Side)**
- 1 UGN-8 Die-Cast Wing Nut w/Washer
- 2 M-8RN Knurled Round Nut w/Washer
- 3 DC-366 Die-Cast Link
- 4 SP-45 Spring
- 5 NP-188 Rubber Foot (one each)
- D' PP-189RA Floor Bar Assy. Complete (Right Side)**
- 1 UGN-8 Die-Cast Wing Nut w/Washer
- 2 M-8RN Knurled Round Nut w/Washer
- 3 DC-366 Die-Cast Link
- 4 SP-45 Spring
- 5 NP-188 Rubber Foot (one each)
- E NP-394 Clip on Logo**

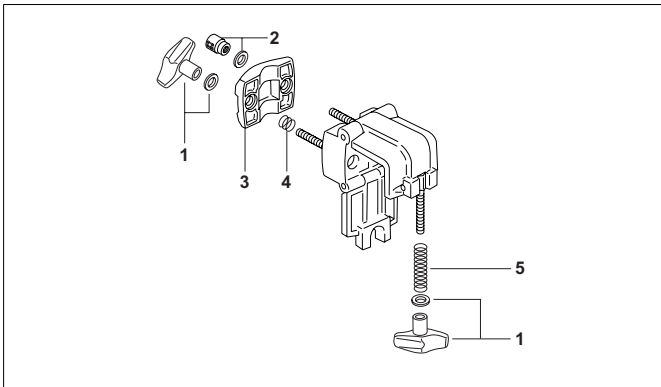
DR-501/501C/501E/501CE



- A AL-18A Straight Rack Bar Complete**
- 1 DC-424A Die-Cast Clamp Assy. Complete
- 1-A UGN-8 Die-Cast Wing Nut w/Washers
- A' AL-28AC Curved Rack Bar Complete**
- B PP-176A Steel Leg**
- 1 NP-338 Plastic Cap
- C DC-426A Stop Lock, Complete**
- 1 KB-625A Key Bolt w/Washer & Hexagonal Nut
- D PP-189LA Floor Bar Assy. Complete**
- 1 UGN-8 Die-Cast Wing Nut w/Washer
- 2 M-8RN Knurled Round Nut w/Washer
- 3 DC-366 Die-Cast Link
- 4 SP-45 Spring
- 5 NP-188 Rubber Foot (one each)
- D' PP-189RA Floor Bar Assy. Complete**
- 1 UGN-8 Die-Cast Wing Nut w/Washer
- 2 M-8RN Knurled Round Nut w/Washer
- 3 DC-366 Die-Cast Link
- 4 SP-45 Spring
- 5 NP-188 Rubber Foot (one each)
- E NP-394 Clip on Logo**

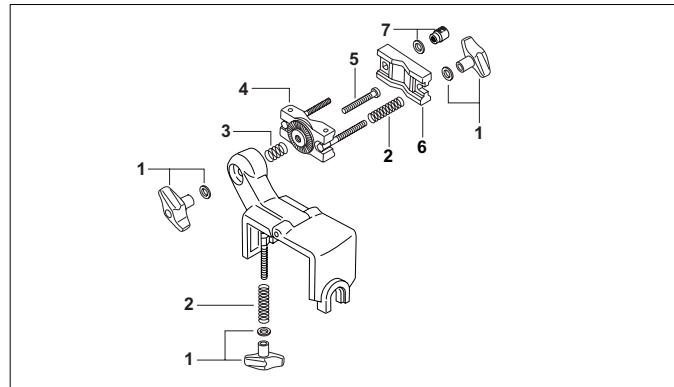
DRUM RACKS, PIPE CLAMPS, RACK JOINT

PCX-100



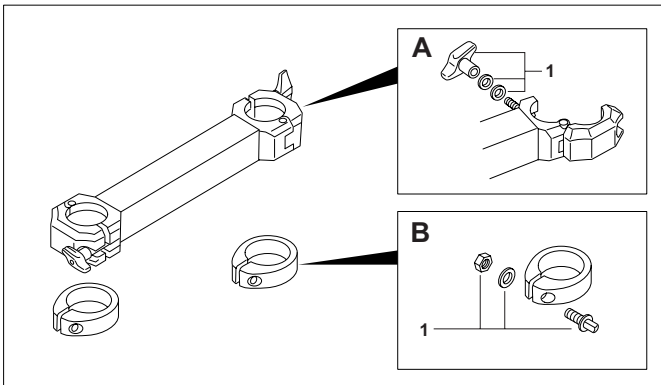
- 1 UGN-8 Die-Cast Wing Nut w/Washer (one set)
- 2 M-8RN Knurled Round Nut w/Washer
- 3 DC-587 Die-Cast Link
- 4 SP-45S Spring
- 5 SP-26 Spring

PCX-200



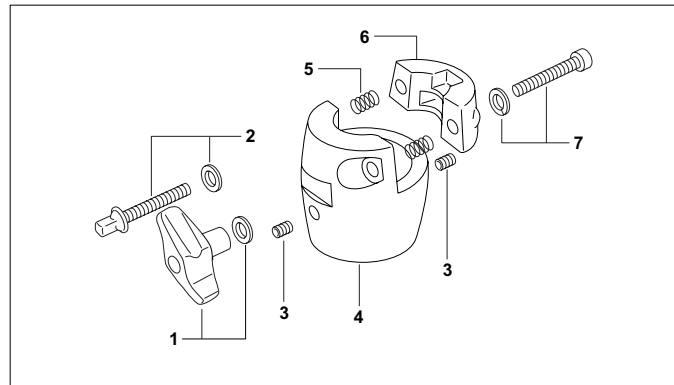
- 1 UGN-8 Die-Cast Wing Nut w/Washer (one set)
- 2 SP-26 Spring
- 3 SP-36 Spring
- 4 DS-25A Die-Cast Gear Link w/Swivel Bolts
- 5 SC-127 Center Bolt
- 6 DC-182N Die-Cast Link
- 7 M-8RN Knurled Round Nut w/Washer

RJ-50 Rack Joint



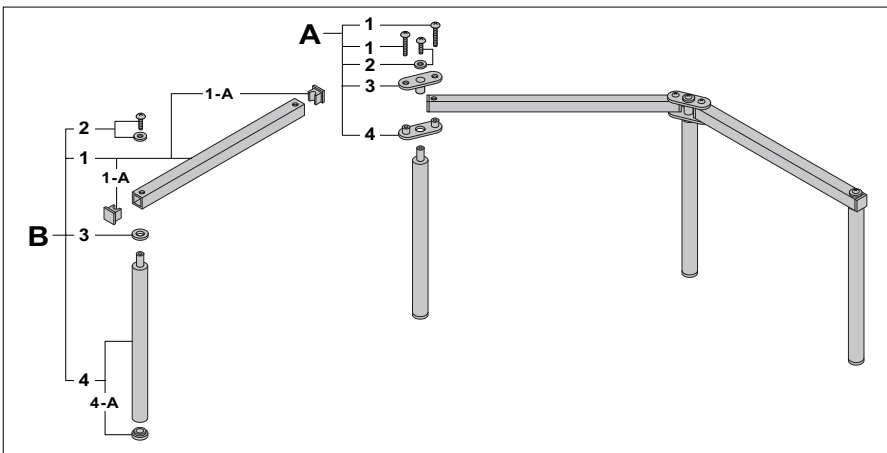
- A DC-424A Die-Cast Clamp Assy. Complete**
- 1 UGN-8 Die-Cast Wing Nut w/Washer
- B DC-426A Stop Lock, Complete**
- 1 KB-625A Key Bolt w/Washer & Hexagonal Nut

PCL-100



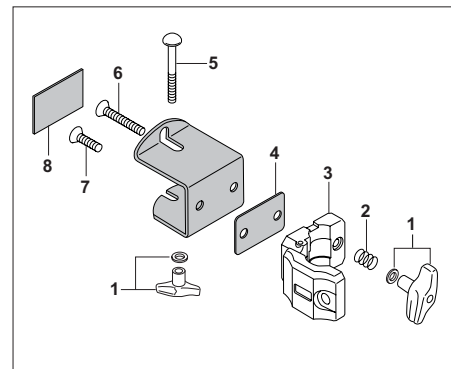
- 1 UGN-6 Die-Cast Wing Nut w/Washer
- 2 SC-57W Key Bolt w/Washer
- 3 SB-66 Allen Screw
- 4 DC-544 Pipe Bracket
- 5 SP-33 Spring (one each)
- 6 DC-545 Clamp Bracket
- 7 SC-341W Bolt w/Washer

DR-80



- A DR-JC1 Joint Assy. Complete**
- 1 SC-204 Bolt (Long) (one each)
- 2 SC-205 Bolt w/Washer (Short)
- 3 LKP-7 Upper Link Plate w/Leg Bracket
- 4 LKP-4 Lower Link Plate w/Nuts
- B DR-008 Expansion Unit Complete**
- 1 AL-13 Bar w/End Caps
- 1-A NP-162 End Caps (one each)
- 2 SC-205 Bolt w/Washer (Short)
- 3 PR-282 Leg Spacer
- 4 120N Leg w/Leg Cap
- 4-A NP-163 Leg Cap

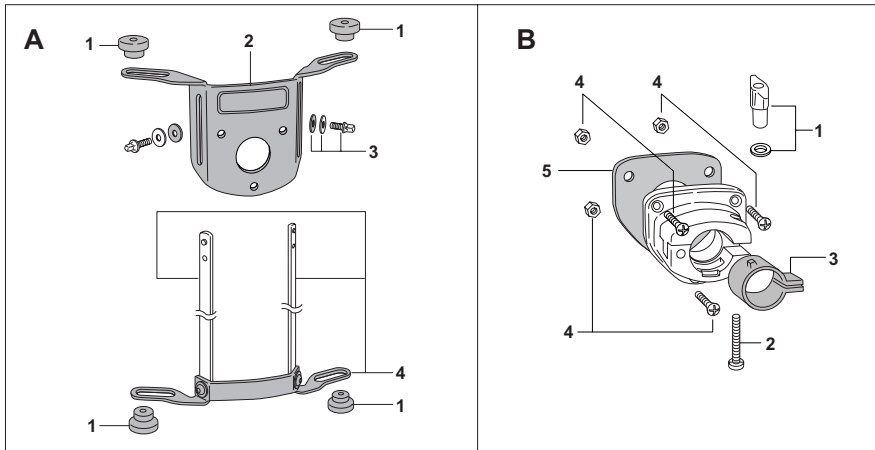
PC-8



- 1 UGN-8 Die-Cast Wing Nut w/Washer (one set)
- 2 SP-45S Spring (one set)
- 3 DC-422A Hinged Clamp ONLY
- 4 GA-45 Gasket
- 5 SC-160 Carriage Bolt
- 6 SC-850 Clamp Bolt, Long
- 7 SC-279 Clamp Bolt, short
- 8 GA-43 Gasket

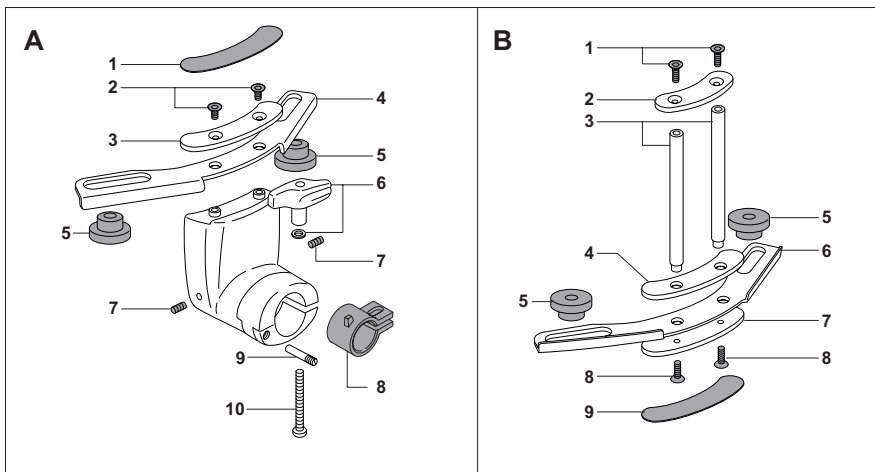
OPTIMOUNT, I.S.S.

Optimount Suspension System



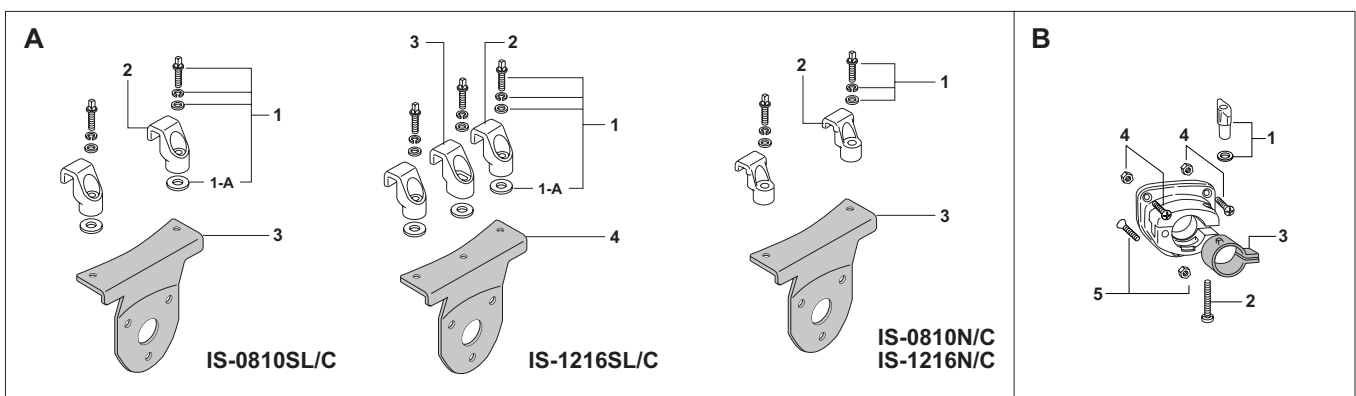
- A**
- OPT-78 Optimount w/o BT-3 (for OPT-0708)
 - OPT-91 Optimount w/o BT-3 (for OPT-0910)
 - OPT-112 Optimount w/o BT-3 (for OPT-1112)
 - OPT-134 Optimount w/o BT-3 (for OPT-1314)
 - OPT-156 Optimount w/o BT-3 (for OPT-1516)
- 1 NP-265 Mounting Rubber
 - 2 PR-528 Bracket Mounting Plate ONLY
 - 3 KB-615WB Key Bolt w/Washers
 - 4 PR-529A Lower Mounting Plate Assy. * (for OPT-0708)
 - PR-530A Lower Mounting Plate Assy. * (for OPT-0910)
 - PR-531A Lower Mounting Plate Assy. * (for OPT-1112)
 - PR-532A Lower Mounting Plate Assy. * (for OPT-1314)
 - PR-537A Lower Mounting Plate Assy. * (for OPT-1516) (one set)
- * (Includes Lower Mounting Plate and 1pr. connecting struts ONLY)
- B**
- BT-3-OPT Mounting Bracket
 - 1 UGN-6 Die-Cast Wing Nut w/Washer
 - 2 SC-640 Clamp Bolt
 - 3 NP-65 Nylon Bushing
 - 4 IS-MS Mounting Screw & Nut (one set)
 - 5 NP-260P Gasket

New Optimount Suspension System



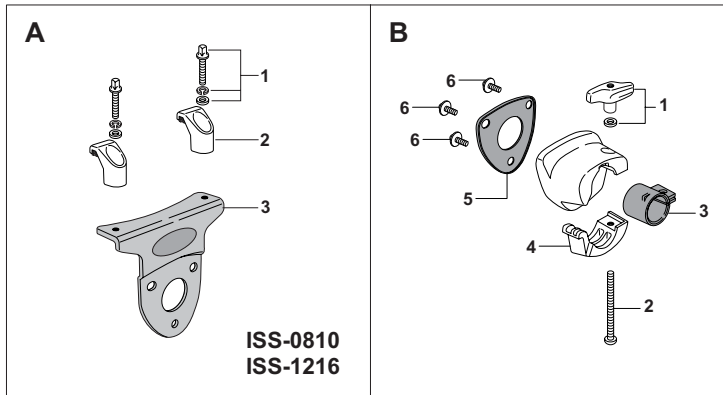
- A**
- OPTN-TA Top Assy, Complete
 - 1 DDC-OPTN Logo Sticker
 - 2 SC-367S Flat-head Screw (one each)
 - 3 PR-638U Support Plate
 - 4 PR-637 Attachment Bracket
 - 5 NP-419 Rubber Grommet (one each)
 - 6 UGN-6 Die-Cast Wing Nut w/Washer
 - 7 SB-66 Allen Screw (one each)
 - 8 NP-420 Nylon Bushing
 - 9 ME-229 Pivot Pin
 - 10 SC-640 Clamp Bolt
- B**
- OPTN-78 Lower Assy, Complete for OPTN-0708
 - OPTN-91 Lower Assy, Complete for OPTN-0910
 - OPTN-112 Lower Assy, Complete for OPTN-1112
 - OPTN-134 Lower Assy, Complete for OPTN-1314
 - OPTN-156 Lower Assy, Complete for OPTN-1516
- 1 SC-366 Flat-head Screw (one each)
 - 2 PR-638 Strut Brace, upper
 - 3 ME-656 Strut (one each) for OPTN-0708
 - ME-657 Strut (one each) for OPTN-0910
 - ME-658 Strut (one each) for OPTN-1112
 - ME-659 Strut (one each) for OPTN-1314
 - ME-660 Strut (one each) for OPTN-1516
 - 4 PR-638D Strut Brace, lower
 - 5 NP-419 Rubber Grommet (one each)
 - 6 PR-637 Attachment Bracket
 - 7 PR-638U Support Plate
 - 8 SC-366 Flat-head Screw (one each)
 - 9 DDC-OPTN Logo Sticker

Integrated Suspension System (I.S.S.)



- A**
- IS-0810SL/C I.S.S. for 8"-10" 2.3mm Super Hoop
 - 1 KB-625WN Key Bolt w/Washers (one set)
 - 1-A WS-5A Washer ONLY (one each)
 - 2 DC-385 Rim Hook (one each)
 - 3 PR-347N Bracket Mounting Plate
- A**
- IS-1216SL/C I.S.S. for 12"-16" 2.3mm Super Hoop
 - 1 KB-625WN Key Bolt w/Washers (one set)
 - 1-A WS-5A Washer ONLY (one each)
 - 2 DC-385 Rim Hook Outside (one each)
 - 3 DC-386 Rim Hook Middle
 - 4 PR-346 Bracket Mounting Plate
- B**
- BT-3-ISS Mounting Bracket (for I.S.S.)
 - 1 UGN-6 Die-Cast Wing Nut w/Washer
 - 2 SC-640 Clamp Bolt
 - 3 NP-65 Nylon Bushing
 - 4 IS-MS Upper Bolt & Nut Complete (one set)
 - 5 IS-MSL Bottom Bolt & Nut Complete
- A**
- IS-0810N/C I.S.S. for 8"-10" 1.6mm Regular Hoop
 - 1 KB-625WN Key Bolt w/Washers (one set)
 - 2 DC-472 Rim Hook (one each)
 - 3 PR-347N Bracket Mounting Plate
- A**
- IS-1216N/C I.S.S. for 12"-16" 1.6mm Regular Hoop
 - 1 KB-625WN Key Bolt w/Washers (one set)
 - 2 DC-472 Rim Hook (one each)
 - 3 PR-346N Bracket Mounting Plate

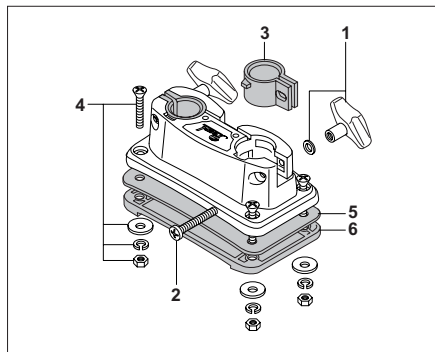
Integrated Suspension System (I.S.S.) for VISION



- A IS-0810/C**
 1 KB-625WN Key Bolt w/Washers (one set)
 2 ZD-57NF Rim Hook w/Felt (one each)
 3 SBP-0810B Bracket Mounting Plate
- A IS-1216/C**
 1 KB-625WN Key Bolt w/Washers (one set)
 2 ZD-57NF Rim Hook w/Felt (one each)
 3 SBP-1216B Bracket Mounting Plate
- B BT-300-ISS**
 1 UGN-6 Die-Cast Wing Nut w/Washer
 2 SC-394 Clamp Bolt
 3 PL-20 Nylon Bushing
 4 ZD-48 Clamp
 5 PL-22 Rubber Gasket
 6 SM-512 Mounting Screw w/Washer (one each)

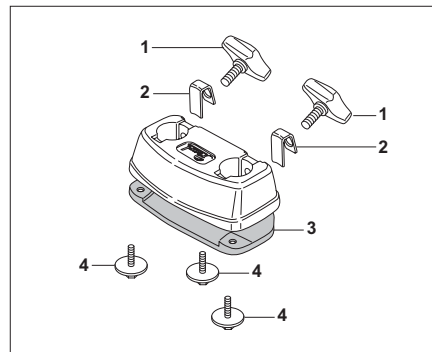
TOM HOLDER BASES, BRACKETS

BB-3



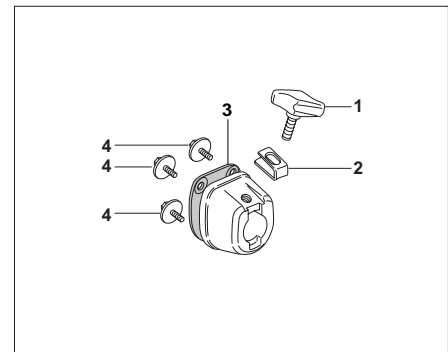
- 1 UGN-6 Die-Cast Wing Nut w/Washer (one set)
 2 SC-640 Clamp Bolt (one each)
 3 NP-65 Nylon Bushing (one each)
 4 B-MS Mounting Screw, Washers & Nut (one each)
 5 NP-259P Rubber Gasket
 6 NP-185 Set Plate

BB-70



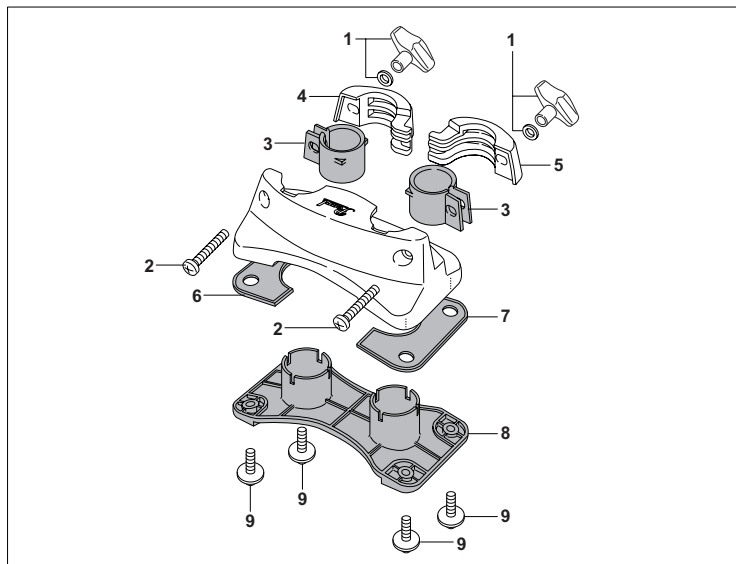
- 1 UGB-815 Die-Cast Wing Bolt (one each)
 2 PR-618 Steel Bracket (one each)
 3 NP-611 Set Plate
 4 SC-233 Mounting Screw w/Washer (one each)

BT-70



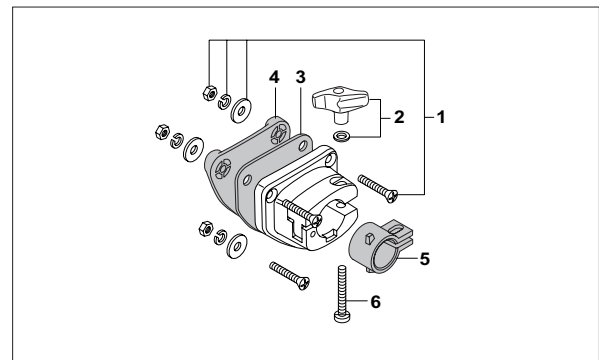
- 1 UGB-815 Die-Cast Wing Bolt
 2 PR-618 Steel Bracket
 3 NP-610 Set Plate
 4 SC-234 Mounting Screw w/Washer (one each)

BB-300/C



- 1 UGN-6 Die-Cast Wing Nut w/Washer (one set)
 2 SC-394 Clamp Bolt (one each)
 3 PL-20 Nylon Bushing (one each)
 4 ZD-43 Clamp, Right Side
 5 ZD-44 Clamp, Left Side
 6 PL-26 Rubber Gasket, Right Side for 22" & 24"
 7 PL-27 Rubber Gasket, Left Side for 22" & 24"
 8 PL-23 Set Plate
 9 SC-393R Mounting Screw w/Washer (one each)

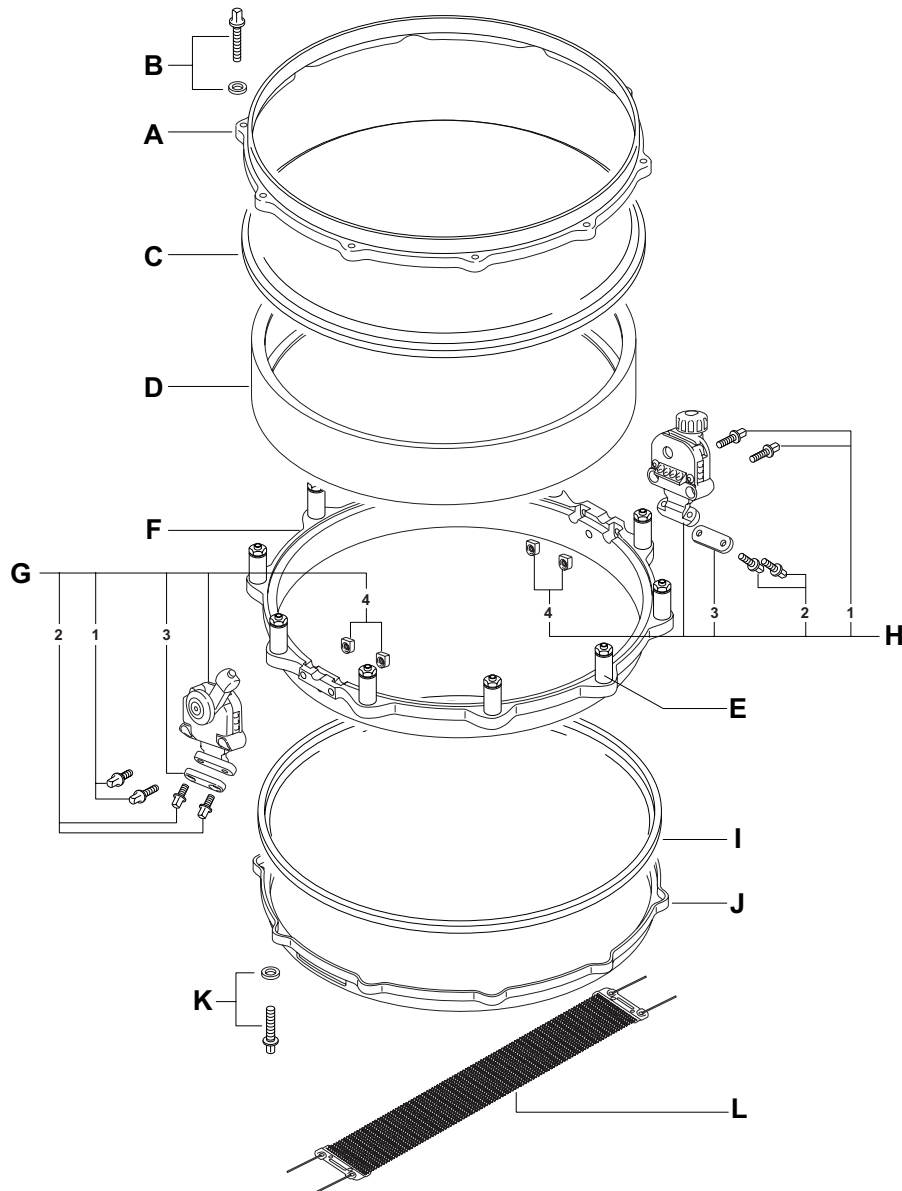
BT-3



- 1 T-MS Mounting Screw, Washers & Nut (one each)
 2 UGN-6 Die-Cast Wing Nut w/Washer
 3 NP-260P Gasket
 4 NP-186 Set Plate
 5 NP-65 Nylon Bushing
 6 SC-640 Clamp Bolt

F.F.S. SNARE DRUM

Free Floating System Snare Drum

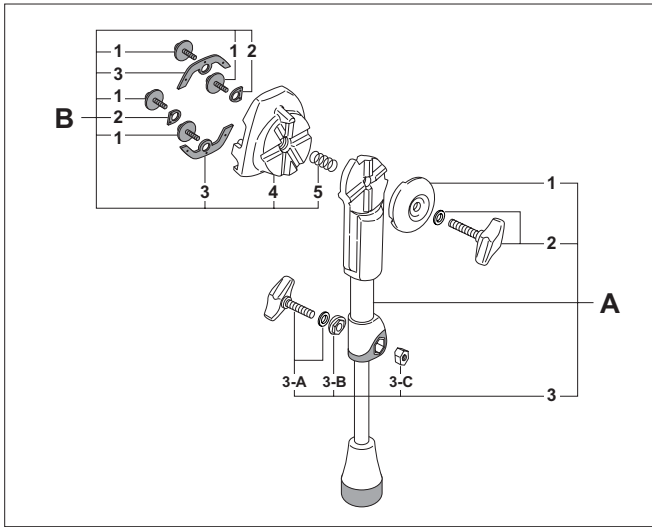


Free Floating System Snare Drum

A	DC-1410	Die-Cast Hoop for Batter Side	H	SR-1000FB	Butt Side Assy. Complete of SR-1000F Strainer
B	SST-5035	Tension Key Rod w/Washer for 3.5" Deep SD (one each)	1	KB-618	Key Bolt (one each)
	SST-5042	Tension Key Rod w/Washer for 5" & 6.5" Deep SD (one each)	2	KB-510	Key Bolt (one each)
C		Head for Batter Side	3	DC-684	Snare Mounting Plate
D		Shell	4	ME-675	D-Nut (one each)
E	FT-35	Lug Post for 3 1/2" Depth Snare Drum	I		Head for Snare Side
	FT-50	Lug Post for 5" Depth Snare Drum	J	DC-1410S	Die-Cast Hoop for Snare Side
	FT-65	Lug Post for 6 1/2" Depth Snare Drum	K	SST-5035	Tension Key Rod w/Washer for 3.5" Deep SD (one each)
F	ARC-1410	Aluminum Ring Chassis ONLY		SST-5042	Tension Key Rod w/Washer for 5" & 6.5" Deep SD (one each)
G	SR-1000FA	Release Side Assy. Complete of SR-1000F Strainer	L	SN-1420I	Ultra Sound Snare Wire "I" Type
1		Key Bolt (one each)			
2		Key Bolt (one each)			
3		Snare Mounting Plate			
4		D-Nut (one each)			

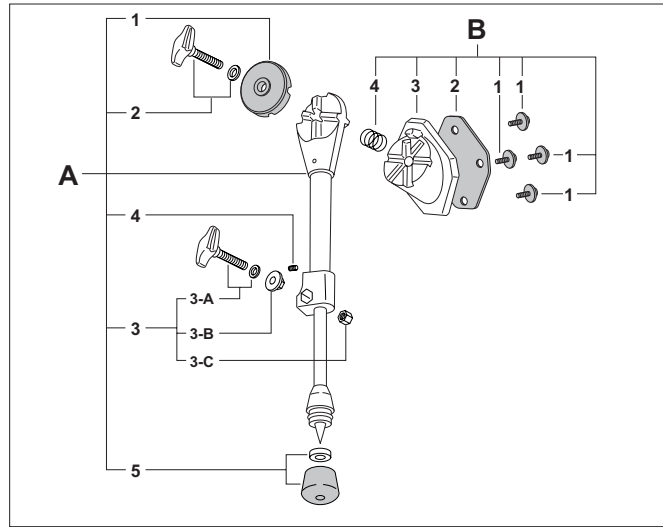
BASS DRUM SPURS

SP-300



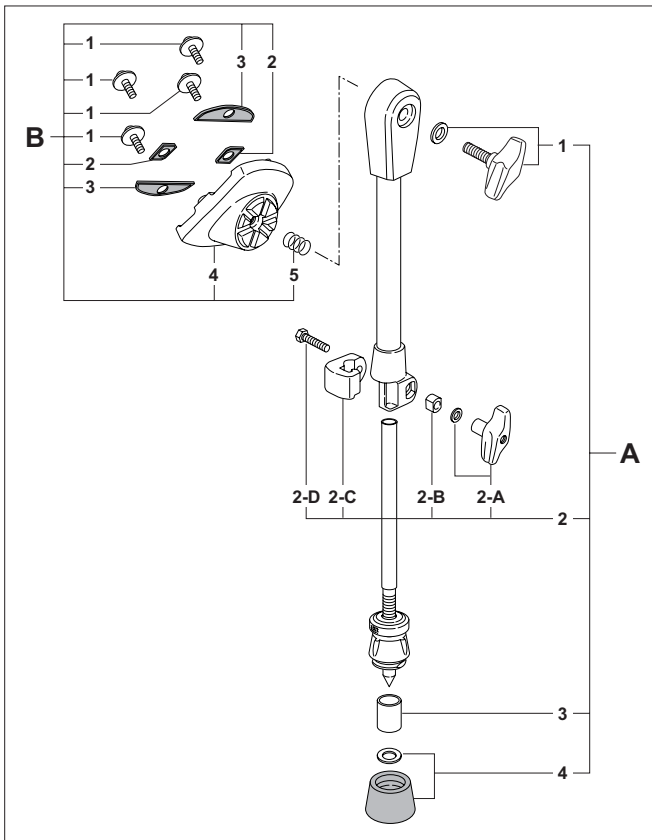
A	SP-300A	Spur Assy. Complete	B	SPB-300	Spur Bracket Complete
1	DC-667	Outer Cap	1	SM-512B	Mounting Screw w/Washer (6ply - one each)
2	UGB-835	Die-Cast Wing Bolt w/Washer		SM-514B	Mounting Screw w/Washer (6ply - one each)
3	SP-300D	Die-Cast Wing Bolt Set	2	NP-415P	Rubber Gasket
3-A	UGB-628	Die-Cast Wing Bolt w/Washer	3	NP-414P	Rubber Gasket
3-B	DC-664	Hexagonal Washer	4	DC-661	Spur Bracket ONLY
3-C	DC-665	Hexagonal Nut	5	SP-020	Spring

SP-30



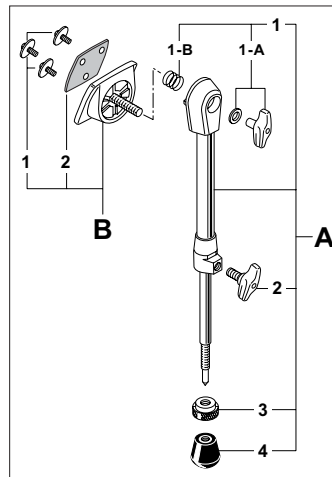
A	SP-30A	Spur Assy. Complete	B	SP-30E	Spur Bracket Complete
1	SP-30C	Outer Cap	1	SM-512B	Mounting Screw w/Washer (one each)
2	UGB-835	Die-Cast Wing Bolt w/Washer	2	NP-244P	Rubber Gasket
3	SP-30D	Die-Cast Wing Bolt Set	3	DC-88	Spur Bracket ONLY
3-A	UGB-628	Die-Cast Wing Bolt w/Washer	4	SP-020	Spring
3-B	DC-91	Hexagonal Washer			
3-C	ME-89	Hexagonal Nut			
	SB-55	Allen Screw			
5	R-30A	Rubber Tip w/Washer			

BSP-300/C



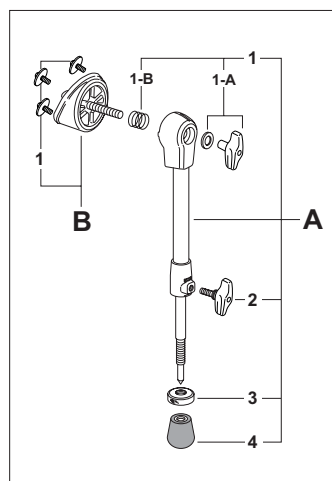
A	BSP-300AL	Spur Assy. Complete, Left Side	B	BSP-300B	Spur Bracket Complete
A'	BSP-300AR	Spur Assy. Complete, Right Side	1	SM-418B	Mounting Screw w/Washer (one each)
1	UGB-835	Die-Cast Wing Bolt w/Washer	2	PL-15S	Rubber Gasket
2	BSP-300D	Die-Cast Wing Nut Set	3	PL-15L	Rubber Gasket
2-A	UGN-6	Die-Cast Wing Nut w/Washer	4	ZD-51	Spur Bracket ONLY
2-B	ZD-56	Collar	5	SP-020	Spring
2-C	ZD-55	Receiver Clamp			
2-D	SC-168	Clamp Bolt			
3	P-15022	Socket Pipe			
4	RB-6	Rubber Tip w/Washer			

SP-20



A	SP-20A	Spur Assy. Complete	B	SPB-20A	Spur Bracket Complete
1	SP-20B	Die-Cast Wing Nut w/Washer and Spring	1	SM-512	Mounting Screw w/Washer (one each)
1-A	UGN-8	Die-Cast Wing Nut w/Washer	2	NP-332P	Rubber Gasket (one each)
1-B	SP-54	Spring			
2	UGB-815	Die-Cast Wing Bolt			
3	RHA-1T	Lock Nut			
4	RHS-1R	Rubber Tip			

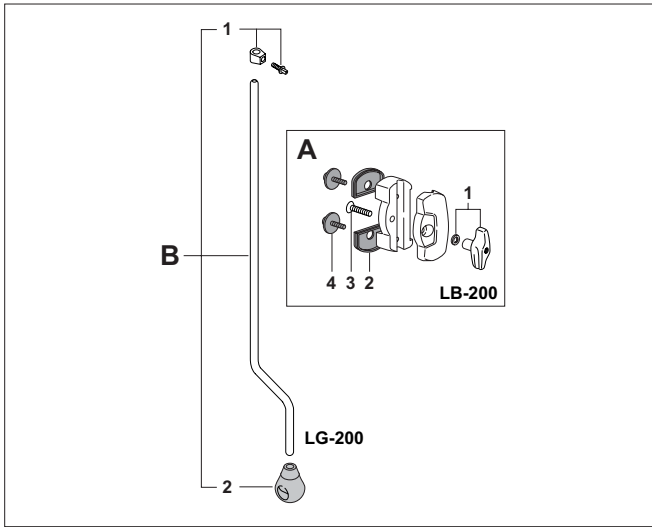
SP-70



A	SP-70A	Spur Assy. Complete	B	SPB-70A	Spur Bracket Complete
1	SP-20B	Die-Cast Wing Nut w/Washer and Spring	1	S-BA	Mounting Screw w/Washer (one each)
1-A	UGN-8	Die-Cast Wing Nut w/Washer			
1-B	SP-54	Spring			
2	UGB-610	Die-Cast Wing Bolt			
3	RHA-1T	Lock Nut			
4	RHS-1R	Rubber Tip			

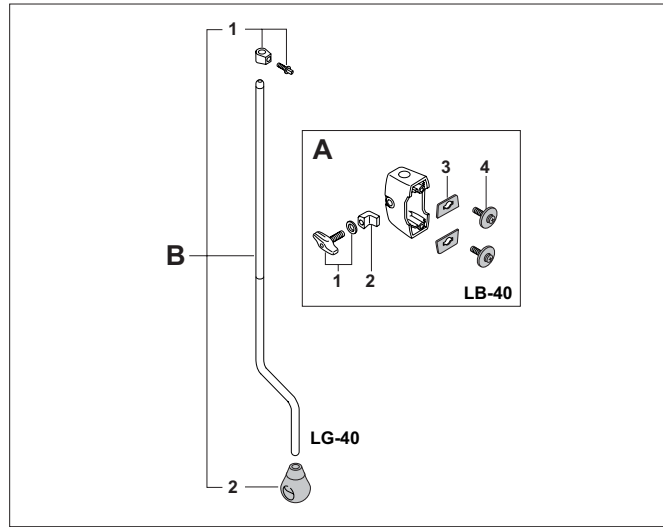
FLOOR TOM LEG BRACKETS & LEGS

LB-200/LG-200



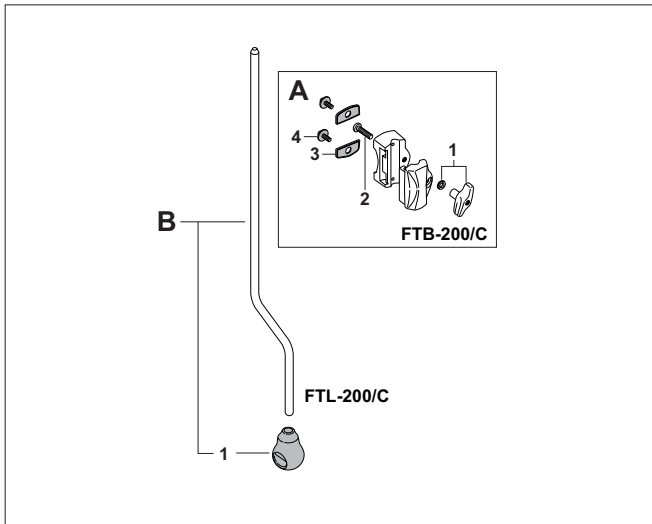
- A LB-200 Floor Tom Leg Bracket Assy. Complete**
 1 UGN-6 Die-Cast Wing Nut w/Washer
 2 NP-413 Rubber Gasket (one each)
 3 SC-365 Screw
 4 SM-514B Mounting Screw w/Washer
- B LG-200 Floor Tom Leg Complete w/Stop Lock & Rubber Foot**
 1 LG-02NS Stop Lock Complete
 2 R-40 Air Suspension Rubber Tip

LB-40/LG-40



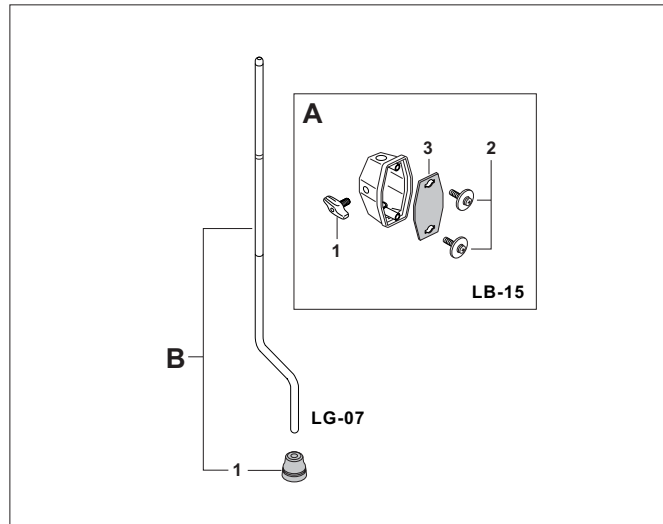
- A LB-40 Floor Tom Leg Bracket Assy. Complete**
 1 UGB-620 Die-Cast Wing Bolt w/Washer
 2 DC-337 Lock Nut
 3 NP-245P Rubber Gasket (one each)
 4 SM-512BW Mounting Screw w/Washer (4ply - one each)
 SM-514BW Mounting Screw w/Washer (6ply - one each)
- B LG-40 Floor Tom Leg Complete w/Stop Lock & Rubber Foot**
 1 LG-04S Stop Lock Complete
 2 R-40 Air Suspension Rubber Tip

FTB-200/C / FTL-200/C



- A FTB-200/C Floor Tom Leg Bracket Assy. Complete**
 1 UGN-8 Die-Cast Wing Nut w/Washer
 2 SC-165N Screw
 3 PL-21 Rubber Gasket (one each)
 4 SM-516B Mounting Screw w/Washer
- B FTL-200/C Floor Tom Leg Complete**
 1 R-40 Air Suspension Rubber Tip

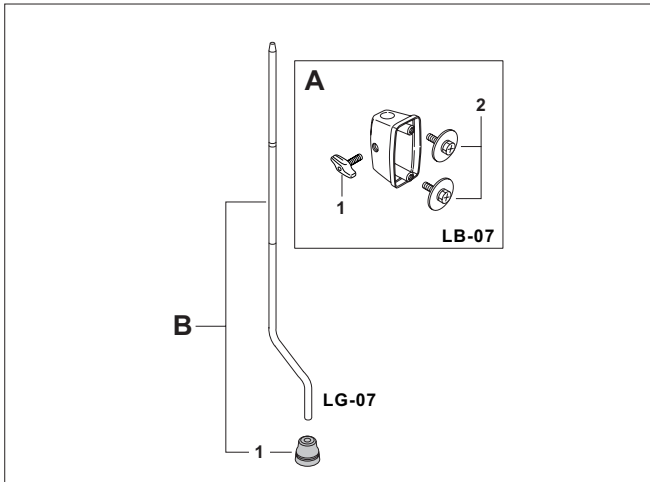
LB-15/LG-07



- A LB-15 Floor Tom Leg Bracket Assy. Complete**
 1 UGB-820 Die-Cast Wing Bolt
 2 SM-512 Mounting Screw w/Washer (one each)
 3 NP-341P Rubber Gasket
- B LG-07 Floor Tom Leg Complete w/Rubber Tip**
 1 R-5 Rubber Tip

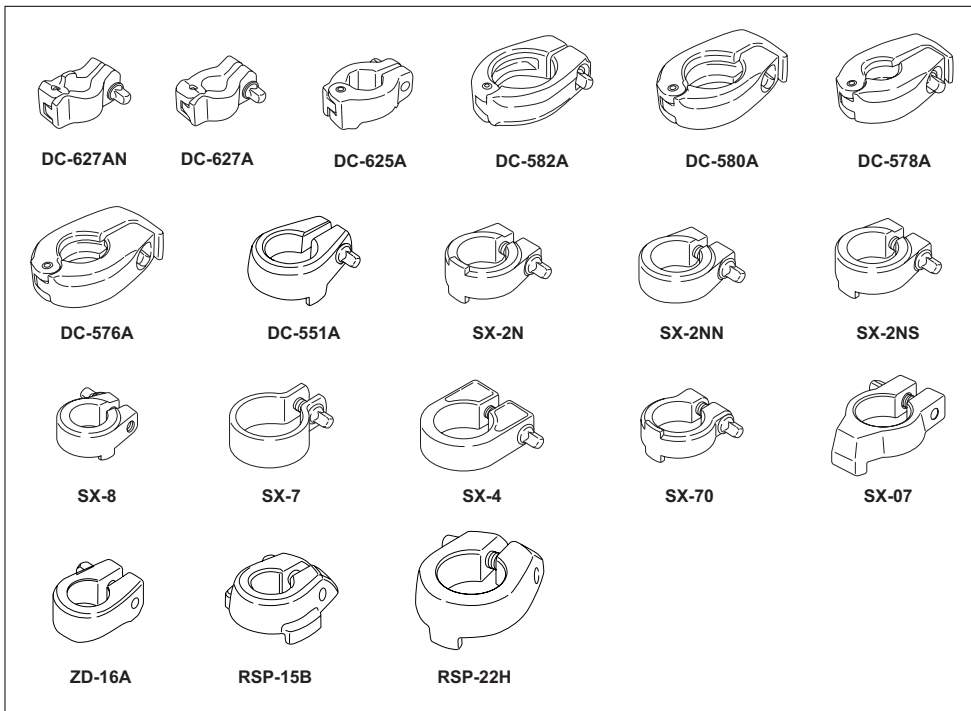
FLOOR TOM LEG BRACKETS & LEGS

LB-07/LG-07



- A LB-07 Floor Tom Leg Bracket Assy. Complete**
 1 UGB-815 Die-Cast Wing Bolt
 2 LBS-3S Mounting Screw w/Washer (one each)
- B LG-07 Floor Tom Leg, Complete w/ Rubber Tip**
 1 R-5 Rubber Tip

Stop Locks



Number	Application
DC-627AN	BC-2000, CH-2000, CH-2000S, TL-2000 (Prong Type)
DC-627A	BC-2000, CH-2000, CH-2000S, TL-2000 (Cradle Type)
DC-625A	CH-2000, CH-1000, BC-2000, B-1000
DC-582A	BC-2000, T-2000, TC-2000
DC-580A	H-2000(2004y~), H-1000, H-1000K, D-1000SP
DC-578A	BC-2000
DC-576A	BC-2000, T-2000, TC-2000
DC-551A	D-80, D-75,
SX-2N	CH-2000, CH-2000S, CH-1000, TH-2000, TH-2000S, TH-2000I, TH-1000, TH-1000I, TH-1000S, T-800W, TH-88, TH-88S, TH-88I, CH-80, JG-16, T-2000, T-1000, UX-80, UX-80S
SN-2NS	T-2000, T-1000, T-800W
SX-2NN	H-820W
SX-4	H-2000(~2004y),
SX-7	D-80, D-75, D-70W
SX-8	B-800W, CH-80
SX-70	TH-70
SX-07	D-70W
ZD-16A	B-900
RSP-15B	C-900, B-900, BC-900
RSP-22H	C-900, B-900, BC-900, H-900, D-900

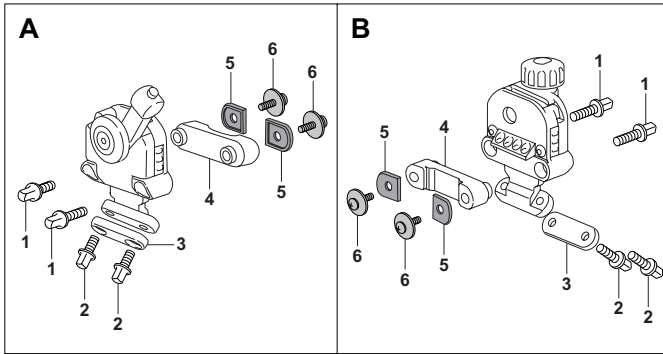
Snare Wires

Model#	Strands	Size	Material
SN-1320C	20	13"	Ultra-Sound Snare Wire, C-type, w/strap & cord
SN-1420C	20	14"	Ultra-Sound Snare Wire, C-type, w/strap & cord
SN-1442C	42	14"	Ultra-Sound Snare Wire, C-type, w/strap & cord
SN-1320D	20	13"	Ultra-Sound Snare Wire, D-type, w/strap & cord
SN-1420D	20	14"	Ultra-Sound Snare Wire, D-type, w/strap & cord
SN-1442D	42	14"	Ultra-Sound Snare Wire, D-type, w/strap & cord
SN-1320I	20	13"	Ultra-Sound Snare Wire, I-type, w/strap & cord
SN-1420I	20	14"	Ultra-Sound Snare Wire, I-type, w/strap & cord
SN-1442I	42	14"	Ultra-Sound Snare Wire, I-type, w/strap & cord

Model#	Strands	Size	Material
S-022	20	14"	High Carbon Steel, Straps
S-022N	20	14"	High Carbon Steel, Cords
S-025	20	14" (for SR-010)	High Carbon Steel
S-029N	20	13"	High Carbon Steel
S-030N	24	14"	High Carbon Steel
S-031N	20	12"	High Carbon Steel
S-032N	12	10"	High Carbon Steel
S-033N	12	12"	High Carbon Steel
S-040	15	14"	Steel, thinner gauge
S-041	15	14"	Bronze, thicker gauge

STRAINERS

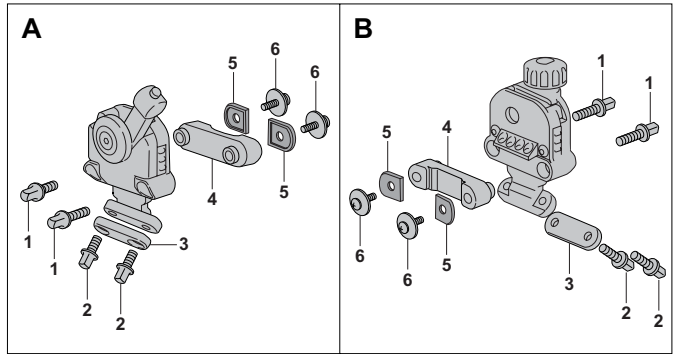
SR-1000



- A SR-1000A Release Side Assy. Complete**
- 1 KB-615 Key Bolt (one each)
 - 2 KB-510 Key Bolt (one each)
 - 3 DC-684 Snare Mounting Plate
 - 4 DC-685 Snare Setting Plate
 - 5 NP-432P Rubber Gasket (one each)
 - 6 SM-409 Mounting Screw w/Washer for Metal Shell (one each)
 - SM-430B Mounting Screw w/Washer for 20ply Shell (one each)

- B SR-1000E Butt Side Assy. Complete**
- 1 KB-615 Key Bolt (one each)
 - 2 KB-510 Key Bolt (one each)
 - 3 DC-684 Snare Mounting Plate
 - 4 DC-685 Snare Setting Plate
 - 5 NP-432P Rubber Gasket (one each)
 - 6 SM-409 Mounting Screw w/Washer for Metal Shell (one each)
 - SM-430B Mounting Screw w/Washer for 20ply Shell (one each)

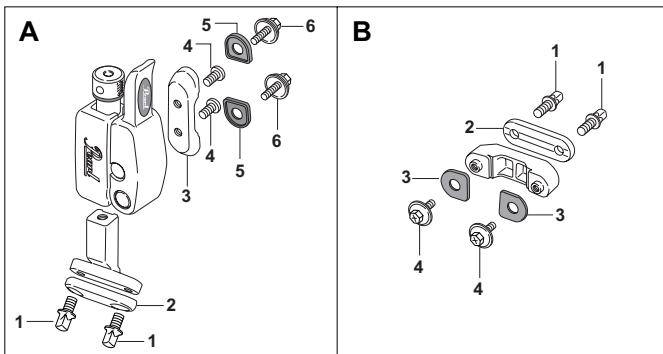
SR-1000/B (Black Chrome)



- A SR-1000A/B Release Side Assy. Complete**
- 1 KB-615B Key Bolt (one each)
 - 2 KB-510B Key Bolt (one each)
 - 3 DC-684B Snare Mounting Plate
 - 4 DC-685B Snare Setting Plate
 - 5 NP-432P Rubber Gasket (one each)
 - 6 SM-409 Mounting Screw w/Washer for Metal Shell (one each)

- B SR-1000E/B Butt Side Assy. Complete**
- 1 KB-615B Key Bolt (one each)
 - 2 KB-510B Key Bolt (one each)
 - 3 DC-684B Snare Mounting Plate
 - 4 DC-685B Snare Setting Plate
 - 5 NP-432P Rubber Gasket (one each)
 - 6 SM-409 Mounting Screw w/Washer for Metal Shell (one each)

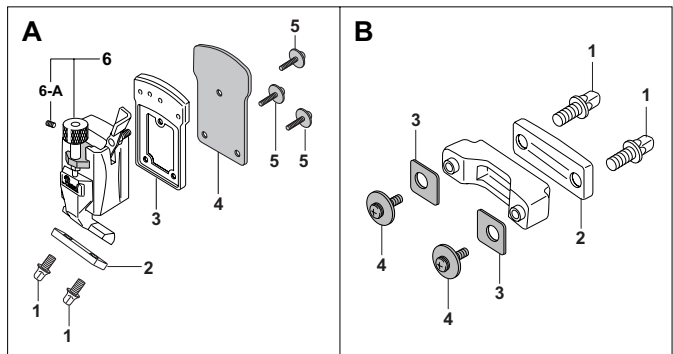
SR-900



- A SR-900A Release Side Assy. Complete**
- 1 KB-510 Key Bolt (one each)
 - 2 ZD-12 Snare Setting Plate
 - 3 ZD-6 Snare Mounting Plate
 - 4 SC-391 Screw (one each)
 - 5 PL-13 Rubber Gasket (one each)
 - 6 SM-408C Mounting Screw w/Washer

- B SR-900B Butt Side Assy. Complete**
- 1 KB-510 Key Bolt (one each)
 - 2 ZD-12 Snare Setting Plate
 - 3 PL-13 Rubber Gasket (one each)
 - 4 SM-408C Mounting Screw w/Washer

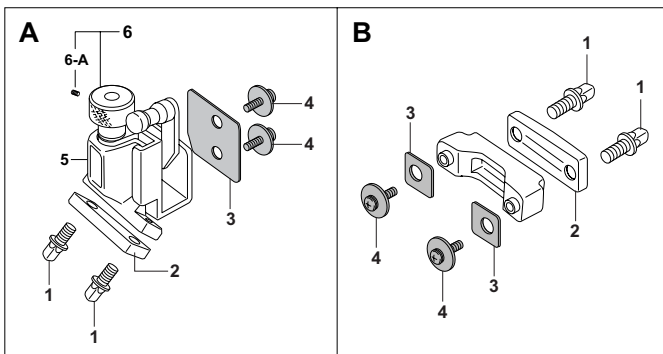
SR-020



- A SR-20A Release Side Assy. Complete**
- 1 KB-510 Key Bolt (one each)
 - 2 SR-12D Snare Mounting Plate
 - 3 DC-408 Trace Plate
 - 4 NP-328P Rubber Gasket
 - 5 SM-418B Mounting Screw w/Washer (one each)
 - 6 ME-226A Adjustment Bolt, Complete
 - 6-A SB-44 Allen Screw

- B SR-18E Butt Side Assy. Complete**
- 1 KB-510 Key Bolt (one each)
 - 2 SR-12D Snare Mounting Plate
 - 3 NP-251P Rubber Gasket (one each)
 - 4 SM-411B Mounting Screw w/Washer (one each)

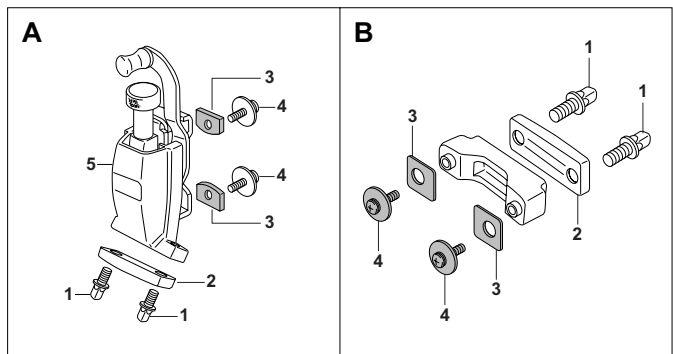
SR-018



- A SR-18A Release Side Assy. Complete**
- 1 KB-508 Key Bolt (one each)
 - 2 SR-12D Snare Mounting Plate
 - 3 NP-250P Rubber Gasket
 - 4 SM-414B Mounting Screw w/Washer (6 ply-one each)
 - 4 SM-416B Mounting Screw w/Washer (8 ply-one each)
 - 4 SM-411C Mounting Screw w/Washer (Metal shell-one each)
 - 5 DC-457 Strainer Cover
 - 6 ME-454A Adjustment Bolt, Complete
 - 6-A SB-44 Allen Screw

- B SR-18E Butt Side Assy. Complete**
- 1 KB-510 Key Bolt (one each)
 - 2 SR-12D Snare Mounting Plate
 - 3 NP-251P Rubber Gasket (one each)
 - 4 SM-414B Mounting Screw w/Washer (6 ply-one each)
 - 4 SM-416B Mounting Screw w/Washer (8 ply-one each)
 - 4 SM-411C Mounting Screw w/Washer (Metal shell-one each)

SR-017

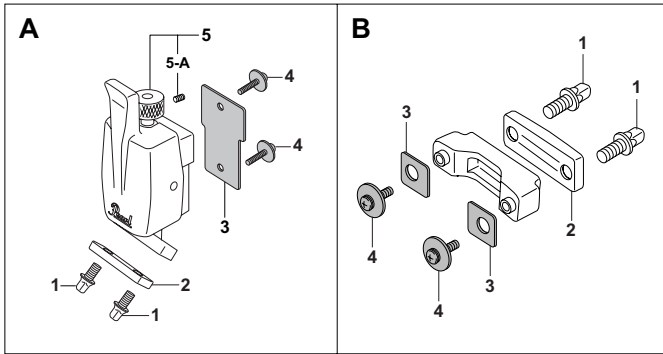


- A SR-17A Release Side Assy. Complete**
- 1 KB-510 Key Bolt (one each)
 - 2 SR-12D Snare Mounting Plate
 - 3 NP-249P Rubber Gasket (one each)
 - 4 SM-513B Mounting Screw w/Washer (6 ply-one each)
 - 4 SM-520B Mounting Screw w/Washer (10 ply-one each)
 - 4 SM-507 Mounting Screw w/Washer (Metal shell-one each)
 - 5 DC-440 Strainer Cover

- B SR-18E Butt Side Assy. Complete**
- 1 KB-510 Key Bolt (one each)
 - 2 SR-12D Snare Mounting Plate
 - 3 NP-251P Rubber Gasket (one each)
 - 4 SM-414B Mounting Screw w/Washer (6 ply-one each)
 - 4 SM-420B Mounting Screw w/Washer (10 ply-one each)
 - 4 SM-411C Mounting Screw w/Washer (Metal shell-one each)

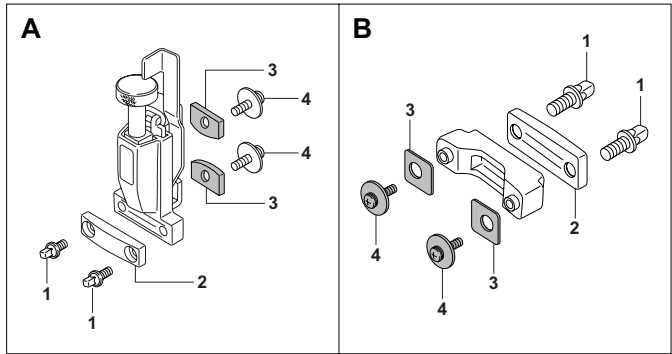
STRAINERS

SR-015



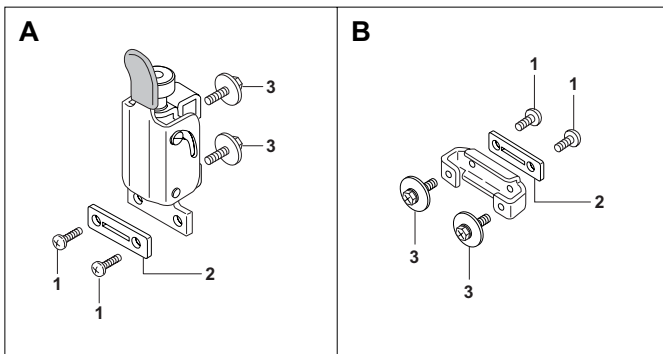
- | | |
|---|--|
| A SR-15A Release Side Assy. Complete | B SR-18E Butt Side Assy. Complete |
| 1 KB-510 Key Bolt (one each) | 1 KB-510 Key Bolt (one each) |
| 2 SR-12D Snare Mounting Plate | 2 SR-12D Snare Mounting Plate |
| 3 NP-248P Rubber Gasket | 3 GK-18SB Gasket (one each) |
| 4 SM-414B Mounting Screw w/Washer (4 ply-one each) | 4 SM-411B Mounting Screw w/Washer (4 ply-one each) |
| SM-416B Mounting Screw w/Washer (6 ply-one each) | SM-414B Mounting Screw w/Washer (6 ply-one each) |
| SM-418B Mounting Screw w/Washer (8 ply-one each) | SM-416B Mounting Screw w/Washer (8 ply-one each) |
| SM-409 Mounting Screw w/Washer (Metal shell-one each) | SM-411C Mounting Screw w/Washer (Metal shell-one each) |
| 5 ME-376A Adjustment Bolt, Complete | |
| 5-A SB-44 Allen Screw | |

SR-014N



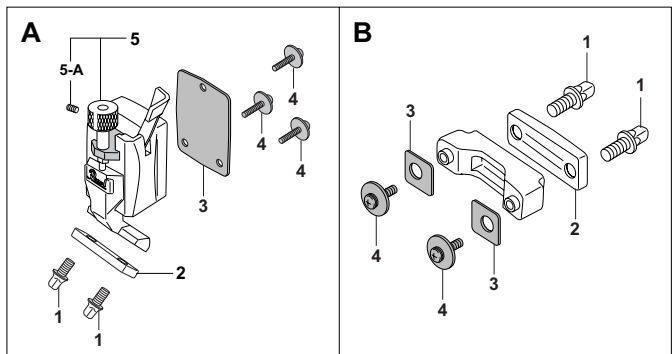
- | | |
|---|--|
| A SR-14AN Release Side Assy. Complete | B SR-18E Butt Side Assy. Complete |
| 1 KB-510 Key Bolt (one each) | 1 KB-510 Key Bolt (one each) |
| 2 SR-12D Snare Mounting Plate | 2 SR-12D Snare Mounting Plate |
| 3 NP-326P Rubber Gasket (one each) | 3 NP-251P Rubber Gasket (one each) |
| 4 SM-514 Mounting Screw w/Washer (6 ply-one each) | 4 SM-414B Mounting Screw w/Washer (6 ply-one each) |
| SM-507 Mounting Screw w/Washer (Metal shell-one each) | SM-411C Mounting Screw w/Washer (Metal shell-one each) |

SR-013



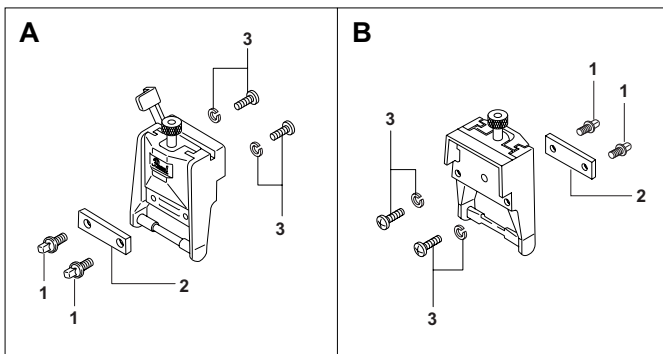
- | | |
|---|---|
| A SR-13A Release Side Assy. Complete | B SR-13E Butt Side Assy. Complete |
| 1 SC-7C Screw (one each) | 1 SC-7C Screw (one each) |
| 2 PR-621 Snare Mounting Plate | 2 PR-621 Snare Mounting Plate |
| 3 SM-416 Mounting Screw w/Washer (one each) | 3 SM-416 Mounting Screw w/Washer (one each) |

SR-012



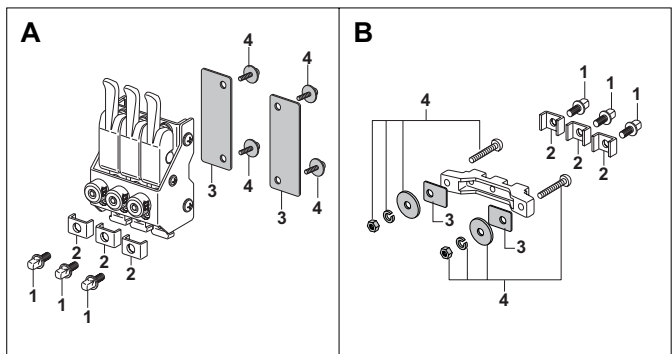
- | | |
|---|--|
| A SR-12A Release Side Assy. Complete | B SR-18E Butt Side Assy. Complete |
| 1 KB-510 Key Bolt (one each) | 1 KB-510 Key Bolt (one each) |
| 2 SR-12D Snare Mounting Plate | 2 SR-12D Snare Mounting Plate |
| 3 NP-329P Rubber Gasket | 3 NP-251P Rubber Gasket (one each) |
| 4 SM-414B Mounting Screw w/Washer (4 ply-one each) | 4 SM-411B Mounting Screw w/Washer (4 ply-one each) |
| SM-416B Mounting Screw w/Washer (6 ply-one each) | SM-414B Mounting Screw w/Washer (6 ply-one each) |
| SM-409 Mounting Screw w/Washer (Metal shell-one each) | SM-411C Mounting Screw w/Washer (Metal shell-one each) |
| 5 ME-226A Adjustment Bolt, Complete | |
| 5-A SB-44 Allen Screw | |

SR-010



- | | |
|---|---|
| A SR-10A Release Side Assy. Complete | B SR-10B Butt Side Assy. Complete |
| 1 KB-510 Key Bolt (one each) | 1 KB-510 Key Bolt (one each) |
| 2 SR-16C Snare Mounting Plate | 2 SR-16C Snare Mounting Plate |
| 3 SN-612 Mounting Screw w/Washer (one each) | 3 SN-612 Mounting Screw w/Washer (one each) |

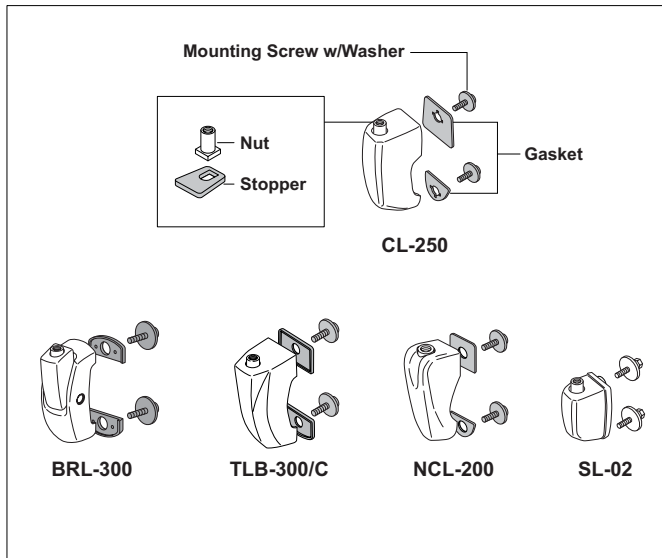
SR-300



- | | |
|--|--|
| A SR-300A Release Side Assy. Complete | B SR-300E Butt Side Assy. Complete |
| 1 KB-508 Key Bolt (one each) | 1 KB-508 Key Bolt (one each) |
| 2 DC-463 Snare Mounting Plate (one each) | 2 DC-463 Snare Mounting Plate (one each) |
| 3 GA-53 Gasket (one each) | 3 GA-52 Gasket (one each) |
| 4 SM-414B Mounting Screw w/Washer (one each) | 4 SC-508-AC Washer & Nut w/Mounting Screw (one each) |

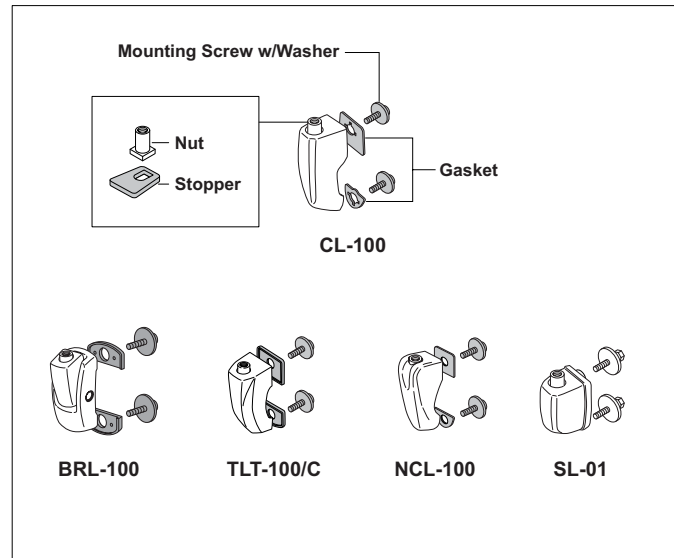
LUGS, BOLTS, TENSION CLAWS

Lugs for Bass Drum



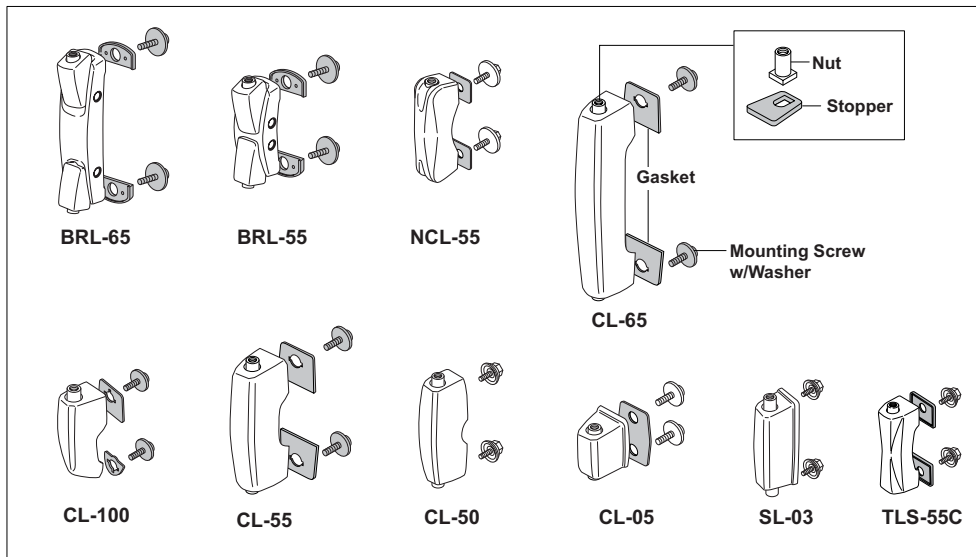
Number	Nut	Stopper	Gasket	Screw	Application
BRL-300	DC-5US	NP-408	NP-410P (one each)	SM-416B 8PLY SM-414B 6PLY	
TLB-300/C	DC-6BN	PL-17	PL-18F (Large) PL-18R (Small)	SM-418B	VISION Bass Drum
NCL-200	DC-5BN	NP-225	NP-398P (Large) NP-399P (Small)	SM-414B	6PLY
CL-250	DC-5US	NP-225	NP-240P (Large) NP-241P (Small)	SM-411B SM-414B	4PLY 6PLY
SL-02	DC-6FE	NP-607	---	SM-411	FX Bass Drum

Lugs for Tom Toms



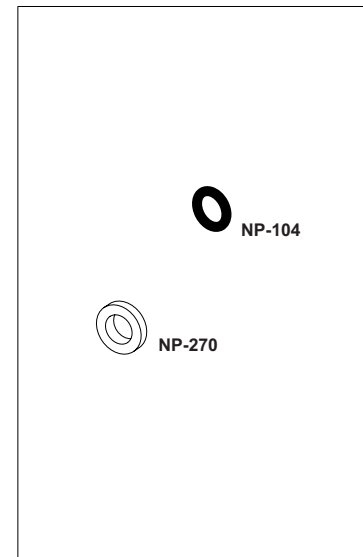
Number	Nut	Stopper	Gasket	Screw	Application
BRL-100	DC-6RS	NP-408	NP-410P (one each)	SM-416B 8PLY SM-414B 6PLY	
CL-100	DC-6US	NP-135N	NP-240P (Large) NP-241P (Small)	SM-411B SM-414B	4PLY 6PLY
TLT-100/C	DC-6BN	PL-16	PL-19F (Large) PL-19R (Small)	SM-414B SM-418B	6PLY 8PLY
NCL-100	DC-6BN	NP-135N	NP-398P (Large) NP-399P (Small)	SM-414B	6PLY
SL-01	DC-6FE	NP-135N	---	SM-411	FX

Lugs for Snare Drum



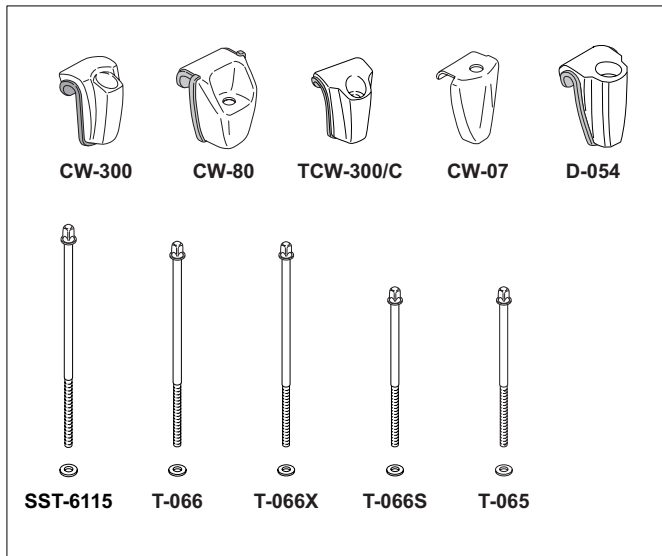
Number	Nut	Stopper	Gasket	Screw				Application
				METAL	WOOD 4PLY	WOOD 6PLY	RF 20PLY	
BRL-65	DC-6RS	NP-408	NP-410P	SM-411C	SM-411B	SM-414B	SM-432B	RF
BRL-55	DC-6RS	NP-408	NP-410P	SM-411C	SM-411B	SM-414B	SM-433B	RF
TLS-55/C	DC-6BN	PL-16	PL-19F	SM-408C	---	---	---	SS1455S/C
NCL-55	DC-6BN	NP-81B	NP-400P	SM-411C	SM-411B	SM-414B	---	EX
CL-100	DC-6US	NP-135N	NP-240P(Large) NP-241P(Small)	SM-411C	SM-411B	SM-414B	---	Masters 6.5" over deep
CL-65	DC-6US	NP-135N	NP-240P	SM-411C	SM-411B	SC-414B	---	6.5" deep
CL-55	DC-6US	NP-135N	NP-240P	SM-411C	SM-411B	SC-414B	---	5.5" deep
CL-50	DC-6BN	NP-135N	---	SM-411C	---	---	---	5.5" deep FCP/FCSS
CL-05	ME-256US	NP-135N	NP-257P	SM-411C	SM-411B	SM-414B	---	3" & 4" deep
SL-03	DC-6FE	NP-135N	---	SM-411C	---	SM-411	---	5.5" deep FX (before 2004)

IP1465 Parts



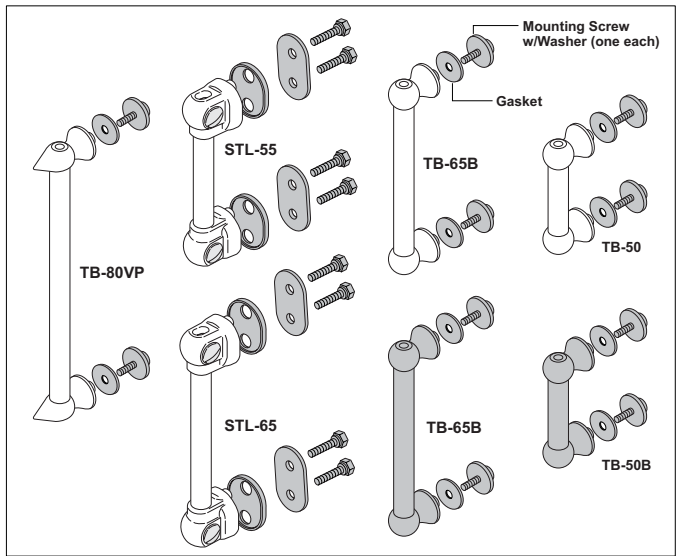
Number	Description
NP-104	Rubber O Ring
NP-270	Fiber Washer

Bass Drum Tension Claws & Bolts



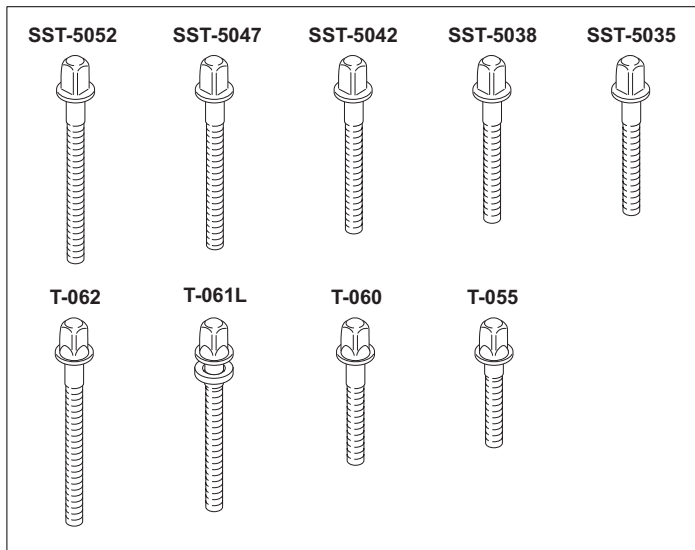
Number	Application
CW-300	RF
CW-80	EX (after 2004)
CW-07	EX (before 2004) / FX / RT
CTW-300/C	VISIOM
D-054	Masters
SST-6115	M6 x 115mm for Masters
T-066	M6 x 115mm
T-065	M6 x 90mm for SMX / SBX / ELX / EXR / EX Bass Drums (after 2004)
T-066X	M5.8 x 110mm for FX
T-066S	M5.8 x 85mm for RT

Tube Lugs



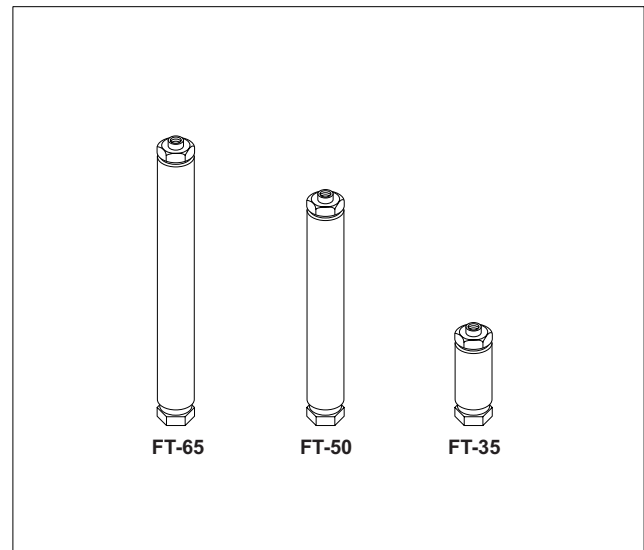
Number	Application
TB-50	Tube Lug Assy. Complete for VG1450
TB-50B	Tube Lug Assy. Complete for UCA1450/B
TB-65B	Tube Lug Assy. Complete for UCA1465/B
TB-65	Tube Lug Assy. Complete for IP1465
TB-80VP	Tube Lug Assy. Complete for VP1480
STL-55	Swivel Tube Lug Assy. Complete for Masters Premium
STL-65	Swivel Tube Lug Assy. Complete for Masters Premium

Tension Key Rods w/Washer



Number	Dia X Length	Application
SST-5055	5.8mm x 55mm	Masters 5.5" Deep Snare Drums
SST-5052	5.8mm x 52mm	Masters 5.5" Deep Snare Drums
SST-5047	5.8mm x 47mm	CS1450, DC1465, ES1465, JJ1365, OH1350, M1270, STE Snare Drums, RF Snare Drums, Masters 6.5" Deep Snare Drums, RF / Masters TT & FT
SST-5042	5.8mm x 42mm	5" & 6.5" Deep FFS Snare Drums, IP1465, TR1465, VG1450, M1040, M1440, UCA Snare Drums, SensiTone Classic II Snare Drums
SST-5038	5.8mm x 38mm	VP1480
SST-5035	5.8mm x 35mm	3.5" Deep FFS Snare Drums, M1060
T-062	5.8mm x 52mm	VISION TT / EX / FX Snare Drums, SS1455
T-061L	5.8mm x 47mm	FCP / FCS Snare Drums, EX / FX TT & FT
T-060	5.8mm x 35mm	FS1435B/C
T-055	5.8mm x 28mm	B1330, M1330, S1330B

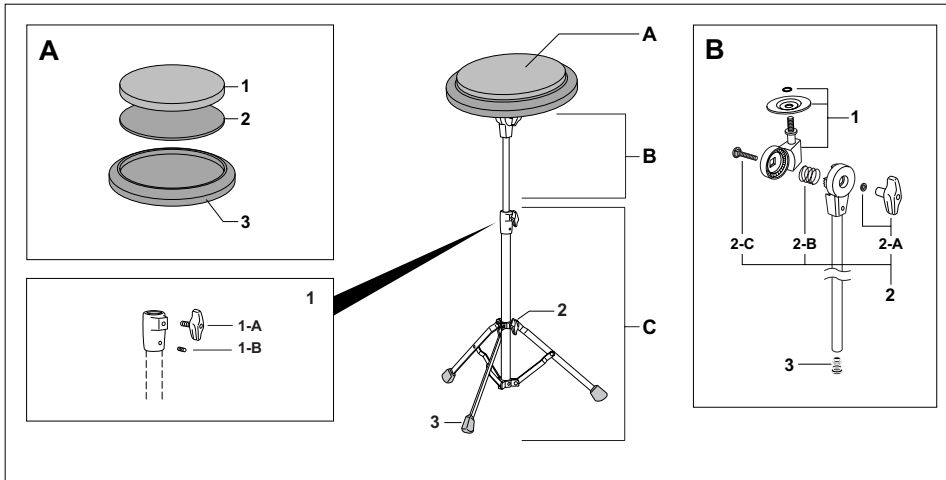
Tubes for "F.F.S" Snare Drum



Number	Application
FT-35	Tube Assy. Complete for 3.5" deep
FT-50	Tube Assy. Complete for 5" deep
FT-65	Tube Assy. Complete for 6.5" deep

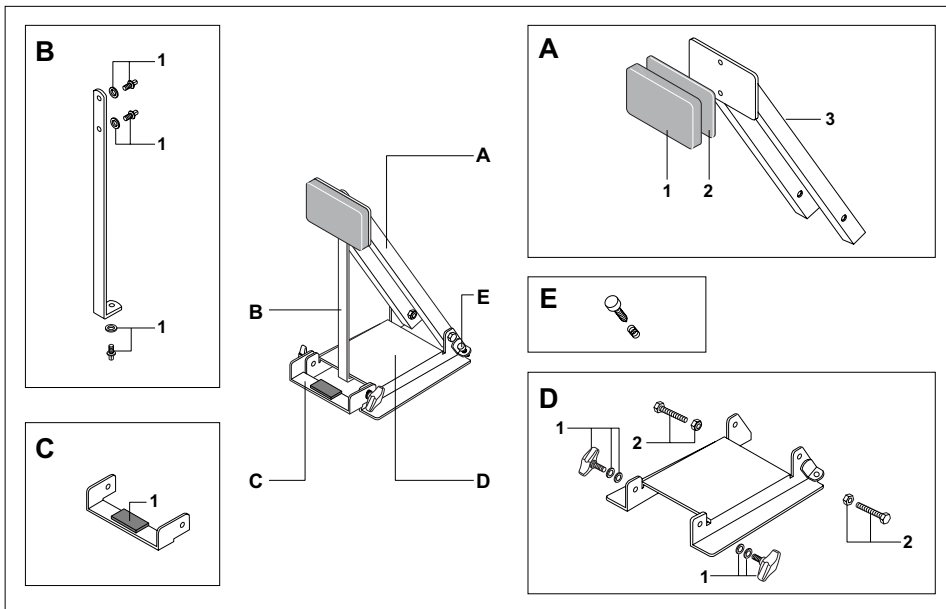
PRACTICE PADS

SD-50



- A PAD-80 Practice Pad Complete**
 1 NP-202 Rubber Pad
 2 NP-202N Rubber Cushion
 3 NP-203 Base
- B SDU-5A Upper Tube Assy. Complete**
 1 TL-70RDN Tilter w/Washer & Rubber O-Ring
 2 SN-70A Bolt & Nut Set w/Spring
 2-A UGN-8 Die-Cast Wing Nut w/Washer
 2-B SP-17 Spring
 2-C SC-33 Clamp Bolt
 3 NP-212 Plastic End Cap
- C BA-50SS Base Assy. Complete**
 1 DJ-45A Die-Cast Joint Assy. Complete
 1-A UGB-815 Wing Nut w/Washer
 1-B SB-44 Allen Screw
 2 UGB-815 Die-Cast Wing Bolt
 3 NP-12 Rubber Tip (one each)

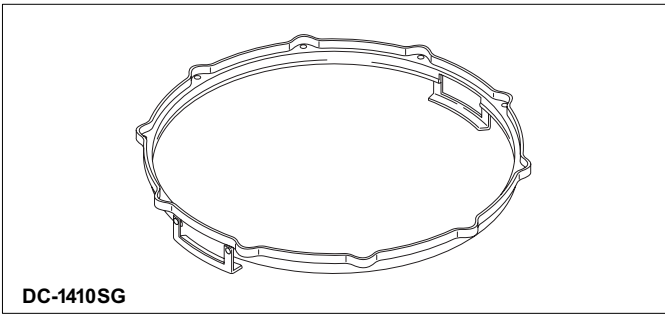
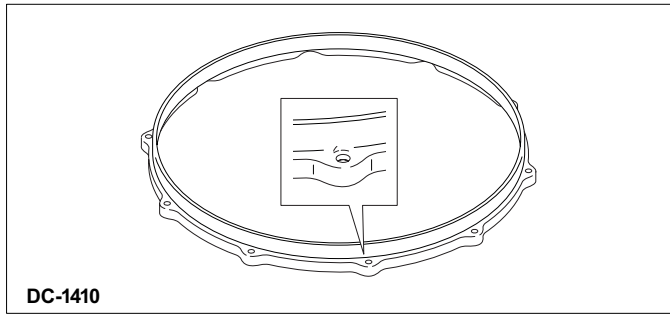
BD-10



- A DP-10 Pad Assy. Complete**
 1 NP-201 Rubber Pad
 2 NP-201N Rubber Cushion
 3 DP-10B Base
- B BSB-10 Supporting Bar Assy. Complete**
 1 KB-610W Key Bolt w/Washer (one set)
- C CP-10 Clamp Plate Complete**
 1 NP-140 Rubber Protector
- D BFP-10 Floor Plate Assy. Complete**
 1 UGB-610 Die-Cast Wing Bolt w/Washers (one set)
 2 SC-144A Mounting Screw w/Nut (one each)
- E LT-636 Anchor Bolt w/Spring**

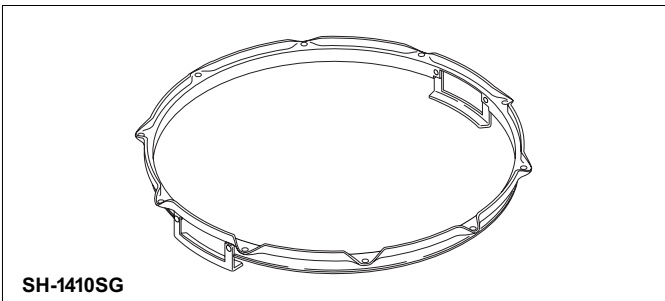
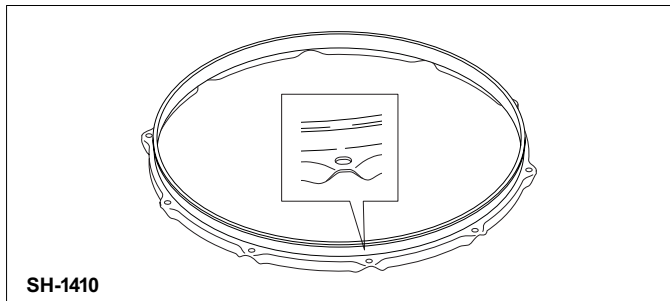
HOOPS

Die-Cast Hoops



Number	Dia.	Description	Number	Dia.	Description
DC-0805	8"	5 rod	DC-1410	14"	10 rod
DC-1006	10"	6 rod	DC-1410S	14"	10 rod, snare side
DC-1206	12"	6 rod	DC-1410SG	14"	10 rod, snare side w/guard
DC-1306	13"	6 rod	DC-1508	15"	8 rod
DC-1408	14"	8 rod	DC-1608	16"	8 rod
DC-1408S	14"	8 rod, snare side	DC-1808	18"	8 rod

Super Hoop II, Regular Steel Hoops



Super Hoop II			Number	Dia.	Description
SH-0604	6"	4 rod	SH-1408	14"	8 rod
SH-0805	8"	5 rod	SH-1408S	14"	8 rod, snare side
SH-1006	10"	6 rod	SH-1410B	14"	10 rod, batter side
SH-1006S	10"	6 rod, snare side	SH-1410S	14"	10 rod, snare side
SH-1206	12"	6 rod	SH-1410SG	14"	10 rod, snare side w/guard
SH-1208	12"	8 rod	SH-1508	15"	8 rod
SH-1208S	12"	8 rod, snare side	SH-1608	16"	8 rod
SH-1306	13"	6 rod	SH-1808	18"	8 rod

Regular Steel Hoops			Number	Dia.	Description
RIM-0804	8"	4 rod	RIM-1408B	14"	8 rod, batter side
RIM-1006	10"	6 rod	RIM-1408S	14"	8 rod, snare side
RIM-1206	12"	6 rod	RIM-1410B	14"	10 rod, batter side
RIM-1306	13"	6 rod	RIM-1410S	14"	10 rod, snare side
RIM-1308B	13"	8 rod, batter side	RIM-1606	16"	6 rod
RIM-1308S	13"	8 rod, snare side	RIM-1608	16"	8 rod
RIM-1406	14"	6 rod	RIM-1808	18"	8 rod

Bass Drum Hoops / Hoop Protector

Number	Dia.	Application	Number	Dia.	Application
RIM-18W	18"	RF / MMP / MRP	VLX-20HP	20"	VLX
RIM-20W	20"	RF / MMP / MRP	VLX-22HP	22"	VLX
RIM-22W	22"	RF / MMP / MRP	VSX-20HP	20"	VSX
RIM-24W	24"	RF / MMP / MRP	VSX-22HP	22"	VSX
BMRIM-18	18"	BRP / BMP	EXRIM-18	18"	EX
BMRIM-20	20"	BRP / BMP	EXRIM-20	20"	EX
BMRIM-22	22"	BRP / BMP	EXRIM-22	22"	EX
BMRIM-24	24"	BRP / BMP	EXRIM-24	24"	EX
MCXRIM-18	18"	MCX	RIM-18RB	18"	FX / RT
MCXRIM-20	20"	MCX	RIM-22RB	22"	FX / RT
MCXRIM-22	22"	MCX	RIM-24RB	24"	FX / RT
MCXRIM-24	24"	MCX			
ECXRIM-18	18"	ECX			
ECXRIM-20	20"	ECX			
ECXRIM-22	22"	ECX			
ECXRIM-24	24"	ECX			

Number	Description
HPP-2	Metal Hoop Protector for Wood BD Hoops
NP-01	Hoop Protector for Metal BD Hoops



www.pearldrums.com