

---

# PEARL

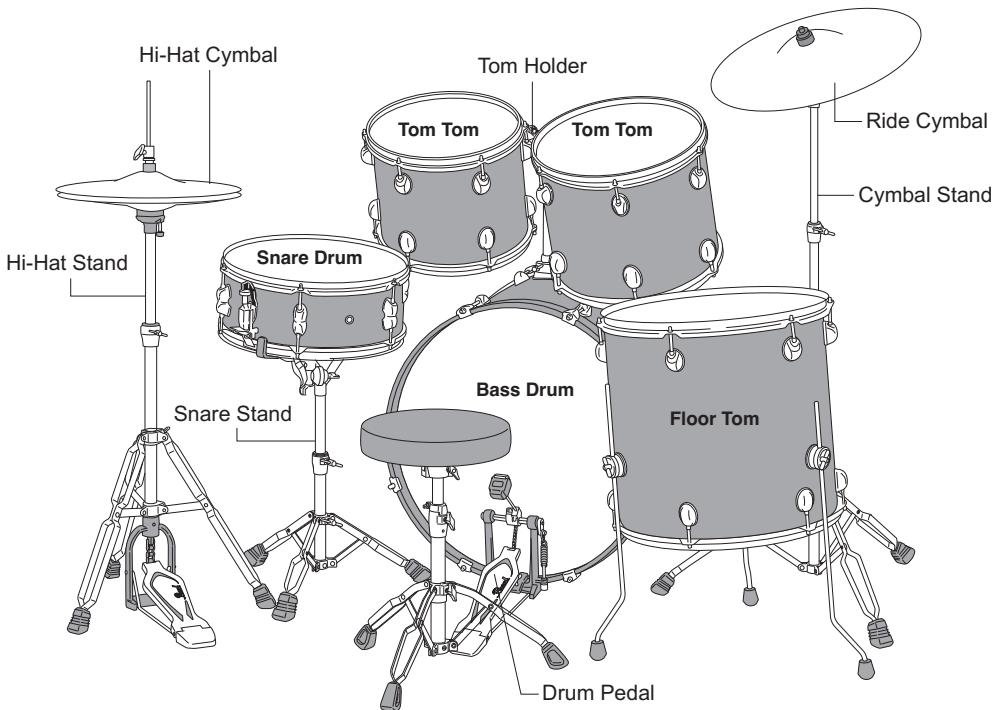
# TGX

# SERIES DRUMS

## Instruction Manual

Congratulations on your purchase! To get optimum performance from your Pearl drum set, please read this Instruction Manual first before playing.

---



Set-Up Example

\*Cymbals and Throne come only in the "with Cymbal" sets.

## USING YOUR PRODUCT SAFELY

Thank you for choosing Pearl! For proper and safe operation of your drums, stands, pedals, and accessories please follow these instructions carefully before using. Please keep these instructions in a safe place for future reference.

### Display Symbols

These instructions contain symbols that are intended to alert the user and others to the possibility of danger or injury. Please make sure that you understand the meaning of the symbols before assembling and using any Pearl product.



### Warning

If this symbol is ignored and the equipment is used improperly, fatal injury to persons and/or serious material damage could occur.



### Caution

If this symbol is ignored and the equipment is used improperly, there is a danger of injury to persons handling the equipment, and/or material damage could occur.



### Note

If this symbol is ignored and the equipment is used improperly, the performance of the equipment may be adversely affected, and/or functions may not work as designed.

- Please be aware that Pearl accepts no responsibility for damage to equipment or other problems caused by external factors such as improper handling.

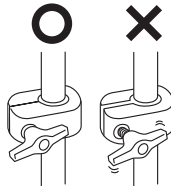
## PRECAUTIONS WHEN INSTALLING EQUIPMENT



### Warning

#### Make Sure Screws are Tightened Securely

Screws should be tightened securely to keep hardware from falling over or dropping during performance. On hardware where gears are used for angle adjustment, make sure the gears are fully meshed before the angles are secured. Failure to mesh the gears properly and securely could make the hardware unstable and cause it to tip over or drop during performance.



### Caution

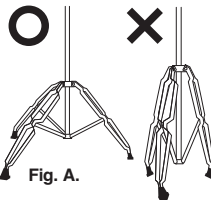
#### Be Careful Not to Scratch or Damage Floor Surfaces

The bass drum legs have sharpened tips/anchors that prevent slippage during performance. Handle them carefully to avoid injury. The rubber tips on the bass drum spurs and may discolor floor surfaces if left in place for long periods of time. We recommend installing your kit on a thick carpet or specially designed drum mat to avoid damage to the surface of the floor or other floor coverings.

#### Make Sure Equipment Cannot Tip Over

To prevent stands from tipping over, make sure that the legs form a stable tripod as shown in Fig. A.

When mounting a tom or boomed cymbal, position the tom or cymbal directly over a leg of the tripod for optimum stability.



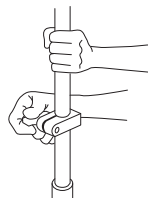
#### Be Careful Around Drum Sets and Stands

Hardware, drums, cymbals, and percussion devices protruding from drum sets may cause people walking by or children playing nearby to trip and stumble into the drum set resulting in severe bodily injury and/or damage to equipment. Exercise extreme caution when moving about your set and closely supervise children who may be playing in the vicinity of your set.



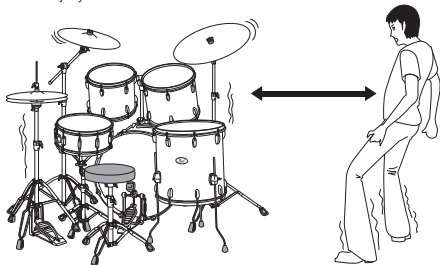
#### Be Careful When Making Adjustments

Use two hands when adjusting the height and angle of drums, cymbals, practice pads, etc. Use one hand for support while making adjustments with your other hand.



## Earthquake Precautions

A strong vibration such as an earthquake can cause your drums and hardware to shift and tip over. Stay well clear of falling objects to avoid injury.



## Precautions When Handling Equipment



### Warning

#### Be Careful with Objects with Roughened or Pointed Shapes

Some parts, such as knurled posts, hi-hat rods, and tension rods have roughened or pointed shapes that can scratch surfaces or get caught, for example, on clothes or carrying bags. Please handle these parts with extra caution to avoid mishaps.

#### Be Careful with the Hole on Bass Drum Heads

Some bass drum heads are equipped with a hole for sound control and miking. The edges of these holes are sharp and special care must be taken when handling, miking, or muffling the bass drum to prevent injury.

#### Be Careful with Anti-Slip Spikes

The spikes on bass drum spurs, are sharp and can cause serious personal or property injury. To prevent mishaps, use extreme care when handling these products especially when the spike tips are exposed. A rug or carpet should be used to protect floor surfaces whenever the spike tips are used.

#### Be Careful When Folding Legs on Stands

When folding the legs on stands, be careful not to pinch your fingers between the legs and the stand.

#### Be Careful When Handling Tubing

When handling tubular hardware do not put your fingers into the tubes to prevent injury to your fingers.

#### The Drum Throne is Not a Step Stool

Standing on a drum throne and using it as a step stool may cause it to break and fall over. Never use the drum throne for anything other than its designated purpose, that is, to sit on while playing.



#### Be Careful When Adjusting Throne Settings

Sitting on a drum seat while adjusting height settings can cause the seat to drop suddenly and pinch your fingers and/or cause other bodily injuries. Sitting on the drum seat while making adjustments may require twisting and reaching that can also cause bodily injuries. To prevent injury, perform these adjustments before sitting, test, and repeat as necessary until the best comfort/support is achieved.

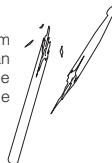
## Be Careful Using Sticks and Wire Brushes

Sticks and wire brushes are intended for playing the drums and should never be used to hit or to be thrown at people. Doing so can be extremely dangerous.



## Broken Sticks

Fragments/splinters from broken drum sticks can cause injury to the player and/or to those nearby.



### Caution

#### Precautions with Oil and Grease

Hardware such as wing nuts and wing bolts are lubricated at the factory with grease or oil. Be careful not to get these lubricants on your clothing.

#### Precautions with Rust or Sharp Edges

Metal parts may become rusty and scratched through use. Rusty surfaces can be sharp and care must be taken to prevent injury to your hands and feet. Metal surfaces, such as footboards, may develop sharp edges from contact with other stands, especially during transport. Examine metal parts periodically and repair immediately to prevent injury to your hands and feet.



### Note

#### Metal Care

Should rust occur, remove the rust with commercial rust removal products and use caution to prevent cuts to hands from sharp edges that may be present.

#### Precautions Regarding High Temperatures and Humidity

To maintain the pristine condition of you drums and hardware, store them in places with controlled temperature and humidity (68 - 75F and 40% - 60% relative humidity is ideal).



## Bass Drum Assembly

The bass drum is shipped unassembled. Please follow the assembly instructions below.

1. Place the shell with the bass drum spurs facing upward on a clean, solid surface. Put the Pearl logo head on the shell followed by the hoop, flat side down (Fig.1).
2. Insert a tension rod through the hook and place it on the hoop then finger tighten the tension rod into the lug nut of the lug. Attach the rest of the tension rods/hooks on this side of the drum (Fig.1).
3. Turn the drum over and attach the other head and hoop using the remaining tension rods/hooks (Fig.2).
4. Position the bass drum upright and set the bass drum spurs as shown with the front of the drum about an inch off the floor (Fig.3).  
The bass drum spurs have spike tips (for added slip resistance) that can be exposed by turning the lock nut and rubber tip clockwise.
5. Locate the rubber pad and remove the backing on the self-stick tape and attach it into the channel at the bottom of the back hoop as shown in (Fig.4). The pad allows the pedal to get a firm grip on the hoop.

### Note

Use the spikes only on thick carpeted surfaces to prevent damage to the flooring underneath.

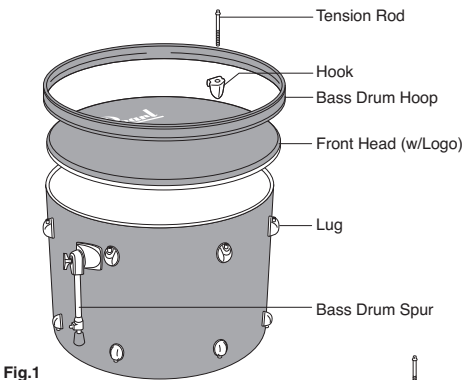


Fig.1

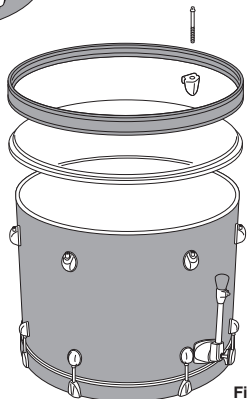


Fig.2

## Bass Drum Set-Up example

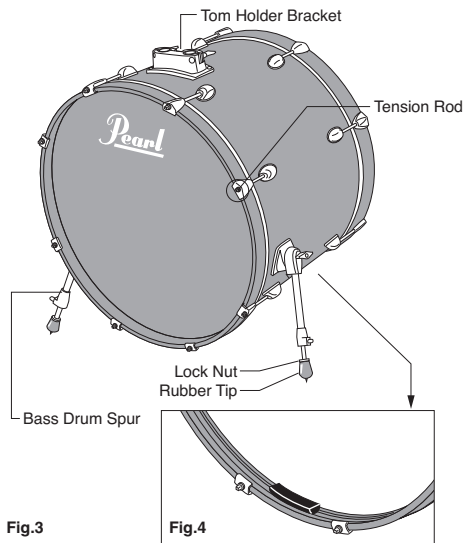


Fig.3

Fig.4

## Tom Tom Assembly

1. Insert the two tom holders into the bracket on the bass drum as shown (Fig.5). The tom holders are equipped with StopLocks that lock into the brackets on the bass drum and toms. The StopLocks keep the drums from rotating and memorize position settings for quick and repeatable set-ups.
2. Attach the toms to the tom holders and position the height and angles to your preference. When satisfied, set the StopLocks into the slots in the tom holder brackets to retain these settings (refer to the Set-Up Example illustration on page 3 of this manual).

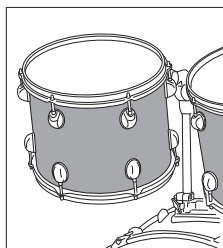
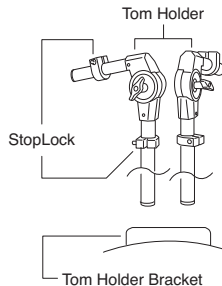


Fig.5



## Floor Tom Assembly

The floor tom is shipped unassembled. Please follow the assembly instructions below.

1. Place the shell with the floor tom leg brackets facing downward on a clean, solid surface. Put the head on the shell followed by the steel hoop (Fig.6).
2. Insert a tension rod through an ear of the steel hoop and finger-tighten it into the lug nut of the lug. Attach the rest of the tension rods in a similar manner to this side of the drum.
3. Turn the drum over and attach the other head and hoop with the remaining tension rods.
4. Attach the floor tom legs to the floor tom leg brackets as shown and set the height and tilt to your preference (Fig.7).

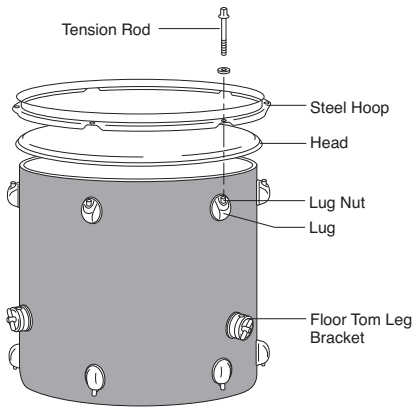


Fig.6

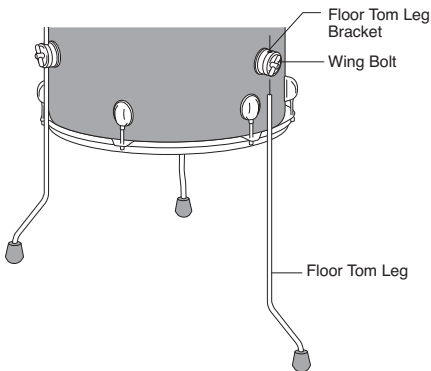


Fig.7

## Hi-Hat Stand Assembly

Open the legs of the hi-hat to form a stable tripod. Insert the ends of the radius rod into the holes near the bottom of the hi-hat base (Fig.8). Thread the upper pull rod into the connector as shown (Fig.9).

Place the upper tube over the upper pull rod and into the tripod base and set the height to your preference. Rest the lower hi-hat cymbal on the hi-hat cup. Attach the top hi-hat cymbal to the clutch in the order shown then slide the clutch with the top cymbal attached onto the upper pull rod. Adjust the distance between the top and lower hi-hat cymbals to your preference by stepping on the pedal and tightening the wing bolt on the clutch when the desired distance is achieved.

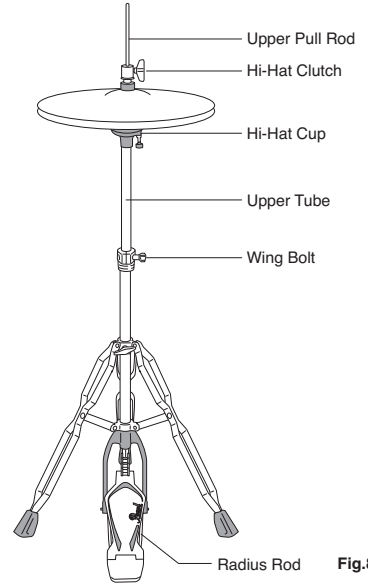


Fig.8

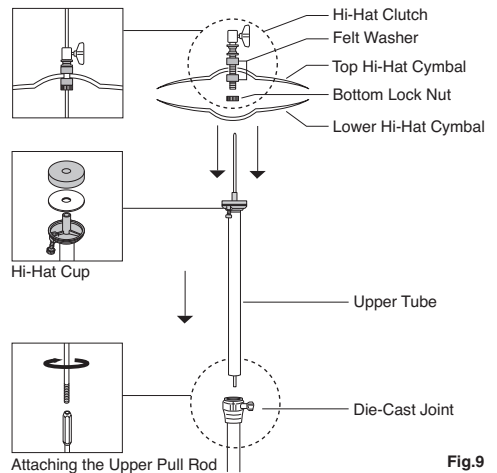


Fig.9

## Drum Pedal Assembly

Hook the spring to the cam roller as shown. Insert the beater into the beater holder link and secure it with the provided drum key (Fig. 10). Clip the pedal to the back bass drum hoop and tighten the wing bolt to secure the hoop clamp. Test the pedal and adjust the spring tension to your preference by adjusting the upper and lower nuts below the spring.

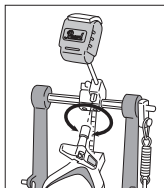
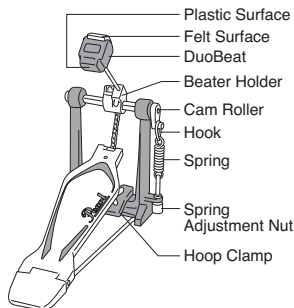


Fig.10



## Snare Stand Assembly

Open the legs of the stand to form a stable tripod and insert the top section into the base. Open the basket and adjust the butterfly nut as needed to accommodate the snare drum. Place the snare drum into the basket and tighten the butterfly nut (do not overtighten).

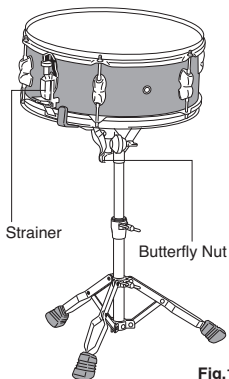


Fig.11

### Hint

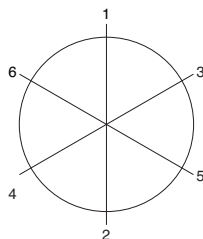
Position the strainer where you can conveniently operate it (Fig. 11).

### Note

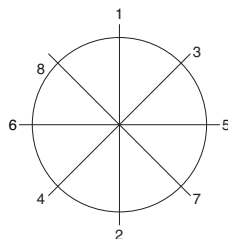
Please refer to the Set-Up Example on page 3 of this manual to see the completed kit.

## Basic Tuning

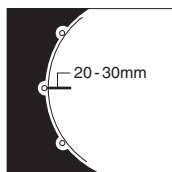
Here is the basic tuning method using the snare drum as an example. Gradually tighten the tension bolts using a crisscross pattern as shown. Tap the head at each tension rod in a zone between 20mm and 30mm from the rim as shown below and listen to the pitches. Adjust the tuning as needed to achieve uniform pitch all around the head. Most drummers tune the bottom head of the snare drum slightly higher than the top.



6 / Tension Rods



8 / Tension Rods



Tuning Points

Basically, the tom toms and bass drum are tuned the same way as the snare drum. However, there are three ways to tune the top and bottom heads: tune both heads to the same pitch, tune the bottom head tighter than the top, or tune the bottom head looser than the top. Experiment to find the tuning method that works best for you.

You can control excessive "ring" with after-market drum heads or muffling devices. A simple and effective way to muffle your bass drum is to put a blanket inside. Additionally, many drummers like to port the front bass drum head for a more controlled sound. Remo DynamO's work great as a hole cutting template and hole protector.

● Please refer to the Set-Up Example on the cover page of this manual to see the completed kit.

**Pearl**

<http://www.pearldrums.com>

Products and specifications are subject to change without notice.

Printed in Taiwan.

-1403-